

OREGON®



**Original Instruction Manual
Chainsaw Model CS1200-091**

**Manuel d'instructions original
Tronçonneuse modèle CS1200-091**

**Manual original de instrucciones
Motosierra modelo CS1200-091**



⚠ WARNING: Read and understand all safety warnings and all instructions. Failure to follow the warnings and instructions may result in electric shock, fire and/or serious injury. Save all warnings and instructions for future reference.

This instruction manual contains translations of a manual drafted in English and are provided to assist those who do not speak English as their first language. Being a technical writing, some terms may not have a like or equivalent meaning as translated. Therefore, you should not rely on this translation, and should cross-reference the English version, where relying on the translated instructions could result in harm to your person or property.

⚠ AVERTISSEMENT : Veuillez lire et comprendre tous les avertissements de sécurité et toutes les instructions. Le non-respect des avertissements de sécurité et des instructions peut entraîner une décharge électrique, un incendie et/ou des blessures graves. Conservez l'ensemble des avertissements et instructions pour référence ultérieure.

Ce manuel d'instructions est une traduction d'un manuel rédigé en anglais, fournie pour aider ceux dont l'anglais n'est pas la langue maternelle. Étant donné qu'il s'agit d'un document technique, certains termes peuvent ne pas avoir de signification similaire ou équivalente lorsqu'ils sont traduits. Par conséquent, vous ne devez pas vous fier à cette traduction et devriez consulter la version anglaise également, au cas où les instructions traduites pourraient provoquer des blessures ou des dommages matériels.

⚠ ADVERTENCIA: Lea y comprenda todas las advertencias de seguridad y las instrucciones. La omisión en seguir estas advertencias e instrucciones podría ocasionar una descarga eléctrica, un incendio y/o lesiones personales graves. Guarde todas las advertencias e instrucciones para referencia futura.

Este manual de instrucciones contiene traducciones de un manual redactado en inglés y se provee para ayudar a aquellas personas que no hablan inglés como su primer idioma. Dado que el manual es un documento técnico, es posible que algunos términos no tengan un significado similar o equivalente al traducirlos. Por lo tanto, no debe confiar en esta traducción y debe consultar la versión en inglés; confiar en las instrucciones traducidas podría provocar lesiones personales o daños materiales.

Table of Contents



Important Safety Information	5
Safety Signal Definitions	5
General Power Tool Safety Rules	5
Work Area Safety	5
Electrical Safety	5
Personal Safety	6
Power Tool Use and Care	6
Service	6
Chainsaw Safety Warnings	6
Causes and Operator Prevention of Kickback	7
The Following Precautions Should Be Followed to Minimize Kickback	8
Kickback Safety Features	8
Storage, Transporting, and Disposal	9
Symbols and Labels	10
Chainsaw Names and Terms	11
Product Identification	12
Preparing for Use	13
What's in the Box?	13
Filling the Bar and Chain Oil Reservoir	13
Operating the Chainsaw	14
General Operation	14
Power Cord Use and Care	15
Cutting	15
Maintenance and Cleaning	20
Inspection	20
Cleaning	20
Tensioning the Saw Chain	21
Sharpening the Saw Chain	22
Replacing a Worn Saw Chain	24
Maintaining the Guide Bar	25
Replacing a Worn Guide Bar	25
Replacing the Drive Sprocket	26
Additional Maintenance Information	26
Troubleshooting	27
Specifications and Components	28
Warranty and Service	29

Important Safety Information

Introduction

This chainsaw is designed for occasional light-duty use. It is not designed to fell large trees or cut large diameter logs. This chainsaw is not designed for tree service. Do not cut trees or wooden timbers that have a diameter greater than the effective cutting length of the chainsaw, 40 cm (16 inches).

Safety Signal Definitions

SYMBOL	SIGNAL	MEANING
	WARNING	Indicates a potential hazard which could result in serious injury.
	CAUTION	Indicates a potential hazard which could seriously damage the tool or cause minor to moderate injury.
	IMPORTANT	Following this instruction will increase satisfaction with the tool.

General Power Tool Safety Rules

⚠ WARNING: Read all safety warnings and all instructions. Failure to follow the warnings and instructions may result in electric shock, fire and/or serious injury.

SAVE ALL WARNINGS AND INSTRUCTIONS FOR FUTURE REFERENCE

The term “power tool” in the warnings refers to your mains-operated (corded) power tool or battery-operated (cordless) power tool.

Work Area Safety

- **Keep work area clean and well lit.** Cluttered or dark areas invite accidents.
- **Do not operate the power tool in explosive atmospheres, such as in the presence of flammable liquids, gases or dust.** Power tools create sparks which may ignite the dust or fumes.
- **Keep children and bystanders away while operating the power tool.** Distractions can cause you to lose control.

Electrical Safety

- **Power tool plugs must match the outlet. Never modify the plug in any way. Do not use any adapter plugs with earthed (grounded) power tools.** Unmodified plugs and matching outlets will reduce risk of electric shock.
- **Avoid body contact with earthed or grounded surfaces, such as pipes, radiators, ranges and refrigerators.** There is an increased risk of electric shock if your body is earthed or grounded.
- **Do not expose power tools to rain or wet conditions.** Water entering a power tool will increase the risk of electric shock.
- **Do not abuse the cord. Never use the cord for carrying, pulling or unplugging the power tool. Keep cord away from heat, oil, sharp edges or moving parts.** Damaged or entangled cords increase the risk of electric shock.
- **When operating a power tool outdoors, use an extension cord suitable for outdoor use.** Use of a cord suitable for outdoor use reduces the risk of electric shock.
- **If operating a power tool in a damp location is unavoidable, use a ground fault circuit interrupter (GFCI) protected supply.** Use of a GFCI reduces the risk of electric shock.

Personal Safety

- **Stay alert, watch what you are doing and use common sense when operating a power tool. Do not use a power tool while you are tired or under the influence of drugs, alcohol or medication.** A moment of inattention while operating power tools may result in serious personal injury.
- **Use personal protective equipment. Always wear eye protection.** Protective equipment such as dust mask, non-skid safety shoes, hard hat, or hearing protection used for appropriate conditions will reduce personal injuries.
- **Prevent unintentional starting. Ensure the switch is in the off position before connecting to power source and/or battery pack, picking up or carrying the tool.** Carrying power tools with your finger on the switch or energizing power tools that have the switch on invites accidents.
- **Remove any adjusting key or wrench before turning the power tool on.** A wrench or a key left attached to a rotating part of the power tool may result in personal injury.
- **Do not overreach. Keep proper footing and balance at all times.** This enables better control of the power tool in unexpected situations.
- **Dress properly. Do not wear loose clothing or jewelry. Keep your hair, clothing, and gloves away from moving parts.** Loose clothes, jewelry, or long hair can be caught in moving parts.
- **If devices are provided for the connection of dust extraction and collection facilities, ensure these are connected and properly used.** Use of dust collection can reduce dust-related hazards.
- **Disconnect the plug from the power source and/or the battery pack from the power tool before making any adjustments, changing accessories, or storing power tools.** Such preventive safety measures reduce the risk of starting the power tool accidentally.
- **Store idle power tools out of the reach of children and do not allow persons unfamiliar with the power tool or these instructions to operate the power tool.** Power tools are dangerous in the hands of untrained users.
- **Maintain power tools. Check for misalignment or binding of moving parts, breakage of parts and any other condition that may affect the power tool's operation. If damaged, have the power tool repaired before use.** Many accidents are caused by poorly maintained power tools.
- **Keep cutting tools sharp and clean.** Properly maintained cutting tools with sharp cutting edges are less likely to bind and are easier to control.
- **Use the power tool, accessories and tool bits, etc. in accordance with these instructions, taking into account the working conditions and the work to be performed.** Use of the power tool for operations different from those intended could result in a hazardous situation.

Service

- **Have your power tool serviced by a qualified repair person using only identical replacement parts.** This will ensure that the safety of the power tool is maintained.

READ ALL INSTRUCTIONS

Chainsaw Safety Warnings

- **Keep all parts of the body away from the saw chain when the chainsaw is operating. Before you start the chainsaw, make sure the saw chain is not contacting anything.** A moment of inattention while operating chainsaws may cause entanglement of your clothing or body with the saw chain.

- **Always hold the chainsaw with your right hand on the rear handle and your left hand on the front handle.** Holding the chainsaw with a reversed hand configuration increases the risk of personal injury and should never be done.
- **Hold the power tool by insulated gripping surfaces only, because saw chain may contact hidden wiring or its own cord.** Saw chains contacting a “live” wire may make exposed metal parts of the power tool “live” and could give the operator an electric shock.
- **Wear safety glasses and hearing protection. Further protective equipment for head, hands, legs, and feet is recommended.** Adequate protective clothing will reduce personal injury by flying debris or accidental contact with the saw chain.
- **Do not operate a chainsaw in a tree.** Operation of a chainsaw while up in a tree may result in personal injury.
- **Always keep proper footing and operate the chainsaw only when standing on a fixed, secure and level surface.** Slippery or unstable surfaces such as ladders may cause a loss of balance or control of the chainsaw.
- **When cutting a limb that is under tension, be alert for spring back.** When the tension in the wood fibres is released the spring loaded limb may strike the operator and/or throw the chainsaw out of control.
- **Use extreme caution when cutting brush and saplings.** The slender material may catch the saw chain and be whipped toward you or pull you off balance.
- **Carry the chainsaw by the front handle with the chainsaw switched off and away from your body. When transporting or storing the chainsaw always fit the scabbard.** Proper handling of the chainsaw will reduce the likelihood of accidental contact with the moving saw chain.
- **Follow instructions for lubricating, chain tensioning, and changing accessories.** Improperly tensioned or lubricated chain may either break or increase the chance of kickback.
- **Keep handles dry, clean, and free of oil and grease.** Greasy, oily handles are slippery causing loss of control.

- **Cut wood only. Do not use the chainsaw for purposes not intended. For example: do not use chainsaw for cutting plastic, masonry, or non-wood building materials.** Use of the chainsaw for operations different than intended could result in a hazardous situation.

Causes and Operator Prevention of Kickback

Kickback may occur when the nose or tip of the guide bar touches an object, or when the wood closes in and pinches the saw chain in the cut.

Tip contact, in some cases, may cause a sudden reverse reaction, kicking the guide bar up and back towards the operator.

Pinching the saw chain along the top of the guide bar may push the guide bar rapidly back towards the operator.

Either of these reactions may cause you to lose control of the saw which could result in serious personal injury. Do not rely exclusively on the safety devices built into your saw. As a chainsaw user, you should take several steps to keep your cutting jobs free from accident and injury.

Kickback is the result of tool misuse and/or incorrect operating procedures or conditions and can be avoided by taking proper precautions as given below:

- **Maintain a firm grip with thumbs and fingers encircling the chainsaw handles, with both hands on the saw and position your body and arm to allow you to resist kickback forces.** Kickback forces can be controlled by the operator if proper precautions are taken. Do not let go of the chainsaw.
- **Do not overreach and do not cut above shoulder height.** This helps prevent unintended tip contact and enables better control of the chainsaw in unexpected situations.
- **Only use replacement bars and chains specified by the manufacturer.** Incorrect replacement bars and chains may cause chain breakage and/or kickback.
- **Follow the manufacturer’s sharpening and maintenance instructions for the saw chain.** Decreasing the depth gauge height can lead to increased kickback.

The Following Precautions Should Be Followed to Minimize Kickback

- **Grip Saw Firmly.** Hold the chainsaw firmly with both hands when the motor is running. Use a firm grip with thumbs and fingers encircling the chainsaw handles. Chainsaw will pull forward when cutting on the bottom edge of the bar, and push backward when cutting along the top edge of the bar.
- Do not over reach.
- Keep proper footing and balance at all times.
- Don't let the nose of the guide bar contact a log, branch, ground or other obstruction.
- Don't cut above shoulder height.
- Use devices such as reduced kickback chain and reduced kickback guide bars that reduce the risks associated with kickback.
- Only use replacement bars and chains specified by the manufacturer or the equivalent.
- Never let the moving chain contact any object at the tip of the guide bar.
- Keep the working area free from obstructions such as other trees, branches, rocks, fences, stumps, etc. Eliminate or avoid any obstruction that your saw chain could hit while you are cutting through a particular log or branch.
- Keep your saw chain sharp and properly tensioned. A loose or dull chain can increase the chance of kickback. Check tension at regular intervals with the motor stopped and tool unplugged, never with the motor running.
- Begin and continue cutting only with the chain moving at full speed. If the chain is moving at a slower speed, there is a greater chance for kickback to occur.
- Cut one log at a time.
- Use extreme caution when re-entering a previous cut. Engage ribbed bumpers into wood and allow chain to reach full speed before proceeding with cut.
- Do not attempt plunge cuts or bore cuts.
- Watch for shifting logs or other forces that could close a cut and pinch or fall into chain.

Kickback Safety Features

⚠ WARNING: The following features are included on your saw to help reduce the hazard of kickback; however such features will not totally eliminate this dangerous reaction. As a chainsaw user do not rely only on safety devices. You must follow all safety precautions, instructions, and maintenance in this manual to help avoid kickback and other forces which can result in serious injury.

- **Reduced-Kickback Guide Bar**, designed with a small radius tip which reduces the size of the kickback danger zone on bar tip. A reduced-kickback guide bar is one which has been demonstrated to significantly reduce the number and seriousness of kickbacks when tested in accordance with safety requirements for electric chainsaws.
- **Reduced-Kickback Chain**, designed with a contoured depth gauge and guard link which deflect kickback force and allow wood to gradually ride into the cutter. A reduced-kickback chain is a chain which has met kickback performance requirements of ISO 9518: 1998.
- **Do not operate chainsaw while in a tree, on a ladder, on a scaffold, or from any unstable surface.**
- **Hold tool by insulated gripping surfaces when performing an operation where the cutting tool may contact hidden wiring.** Contact with a "live" wire will make exposed metal parts of the tool "live" and shock the operator.
- **Do not attempt operations beyond your capacity or experience.** Read thoroughly and understand completely all instructions in this manual.
- **Before you start chainsaw**, make sure saw chain is not contacting any object.
- **Do not operate a chainsaw with one hand! Serious injury to the operator, helpers, or bystanders may result from one handed operation.** A chainsaw is intended for two-handed use only.
- **Keep the handles dry, clean, and free of oil or grease.**
- **Do not allow dirt, debris, or sawdust to build up on the motor or outside air vents.**

- **Stop the chainsaw before setting it down.**
- **Do not cut vines and/or small under brush.**
- **Use extreme caution when cutting small size brush and saplings** because slender material may catch the saw chain and be whipped toward you or pull you off balance.

⚠ WARNING: Some dust created by power sanding, sawing, grinding, drilling, and other construction activities contains chemicals known to the State of California to cause cancer, birth defects or other reproductive harm. Some examples of these chemicals are:

- lead from lead-based paints,
- crystalline silica from bricks and cement and other masonry products, and
- arsenic and chromium from chemically-treated lumber.

Your risk from these exposures varies, depending on how often you do this type of work. To reduce your exposure to these chemicals: work in a well ventilated area, and work with approved safety equipment, such as those dust masks that are specially designed to filter out microscopic particles.

• **Avoid prolonged contact with dust from power sanding, sawing, grinding, drilling, and other construction activities. Wear protective clothing and wash exposed areas with soap and water.** Allowing dust to get into your mouth, eyes, or lay on the skin may promote absorption of harmful chemicals.

⚠ WARNING: Use of this tool can generate and/or disburse dust, which may cause serious and permanent respiratory or other injury. Always use NIOSH/OSHA approved respiratory protection appropriate for the dust exposure. Direct particles away from face and body.

Storage, Transporting, and Disposal



STORING THE CHAINSAW

- Unplug the chainsaw.
- Inspect the cord for cuts or damage.
- Clean chainsaw thoroughly.
- Install the guide bar cover.
- Store in a dry place.
- Keep out of reach of children or pets.
- It is normal for a small amount of oil to seep from the guide bar when the chainsaw is not in use. To protect against seepage, install the guide bar cover and place an absorbent pad under the bar.

TRANSPORTING THE CHAINSAW

Tools can shift during transport. Ensure the tool is secure and cannot fall or move into contact with people or property.























- Unplug the chainsaw.
- Install the guide bar.
- If desired, drain the bar and chain oil to reduce seepage.

CHAINSAW DISPOSAL

This Oregon® product is designed and manufactured with high quality materials and components which can be recycled and reused. Please dispose of this equipment in an environmentally correct manner at a local community waste collection/recycling center.

Symbols and Labels

These symbols and labels appear on the chainsaw and/or in this manual.

SYMBOL	NAME	EXPLANATION
	Class II construction	Designated double insulated construction tools
	Safety alert symbol	Indicates that the text that follows explains a danger, warning, or caution.
	Read instructions	The original instruction manual contains important safety and operating information. Read and follow the instructions carefully.
	Wear eye protection	Wear eye protection when operating the chainsaw.
	Wear hearing protection	Wear hearing protection when operating the chainsaw.
	Wear hand protection	Wear gloves when operating the chainsaw and when handling the saw chain.
	Wear head protection	Wear head protection when operating the chainsaw.
	Wear long pants	Wear long pants when operating the chainsaw.
	Wear foot protection	Wear appropriate closed-toe work boots when operating the chainsaw.
	Beware of kickback	 Danger: Kickback can cause severe injuries.
	Bar nose contact	Avoid bar nose contact.
	Chainsaw kickback angle	Designed for use with low kickback saw chain.
	Two-handed hold	Hold saw with both hands.
	One-handed hold	Do not hold the saw with one hand.
	Do not use a ladder	Never stand on a ladder when using the chainsaw.
	Do not dispose	Do not throw in household waste. Take to an authorised recycler.
	Do not expose to rain	Do not operate the chainsaw in wet conditions.
	Damaged cable	Inspect the power cord regularly for damage. Remove the plug from the mains immediately if the cable is damaged or cut.
	Cutting tool	Cutting tool. Do not touch the chain without first deactivating the chainsaw by unplugging it.
	Trip hazard	Know the location of the cord at all times.
	Unplug before maintenance	Unplug before performing any maintenance.

Chainsaw Names and Terms

Alignment flange: The protrusion on the bar pad that fits into the bar slot.

Automatic oiler: The system that automatically lubricates the guide bar and saw chain.

Bar pad: The mounting pad on the powerhead that helps ensure proper alignment of the guide bar.

Bar slot: The cut-out portion of the guide bar that fits on to the alignment flange and mounting stud.

Bystander safety zone: A 6 m (20 ft) circle around the operator that must remain free from bystanders, children and pets.

Chain catcher: A device for retaining the saw chain if it breaks or derails.

Chain gauge: The thickness of the saw chain drive link, where it fits into the bar groove, indicated by the part number stamped on the drive links.

Chain pitch: The distance between any three consecutive rivets on the saw chain divided by two, indicated by the part number stamped on the drive links.

Chainsaw powerhead: A chainsaw without the saw chain or guide bar.

Chain tensioning dial: The dial on the side cover, that when turned, adjusts the saw chain tension.

Drive link: The fin-shaped link of the saw chain that fits into the groove on the guide bar.

Drive sprocket: The toothed part that drives the saw chain.

Effective cutting length: The approximate distance from the root of the spiked bumper to the outside edge of the cutting link with the tensioner set to the middle position.

Felling back cut: The final cut in a tree felling operation made on the opposite side of the tree from the notching undercut.

Front handle: The support handle located at or toward the front of the chainsaw intended to be gripped by the left hand.

Front hand-guard: A structural barrier between the front handle of a chainsaw and the guide bar.

Guide bar: A railed structure that supports and guides the saw chain. Sometimes simply called the "bar".

Guide bar cover: The plastic cover that protects the guide bar and saw chain when the chainsaw is not in use.

Kickback: The rapid backward and/or upward motion of the guide bar, occurring when the saw chain near the top area of the nose of the guide bar contacts any object (such as a log or branch), or when the wood closes in and pinches the saw chain in the cut.

Low-kickback chain: A chain that complies with the low kickback performance requirements of ANSI B175.1 and CSA Z62.3.

Motor housing: The plastic cover of the chainsaw powerhead.

Mounting stud: The threaded protrusion on the alignment flange that extends through the bar slot.

Notching undercut: A notch cut in a tree to direct the tree's fall.

Rear handle: The support handle located at or toward the rear of the saw intended to be gripped by the right hand.

Rear hand-guard: A structural barrier at the bottom right side of the rear handle to protect the operator in case of rupture or derailing of the saw chain.

Reduced kickback guide bar: A guide bar with a maximum nose radius as specified in ANSI B175.1 and CSA Z62.3 and which has been demonstrated to reduce kickback significantly.

Saw chain: A loop of chain having cutting teeth, that cuts the wood, that is driven by the powerhead and is supported by the guide bar. Sometimes simply called the "chain".

Side cover: The plastic cover on the powerhead that covers the drive sprocket which is removed and installed with the side cover release knob.

Side cover tab: The protrusion on the side cover that fits into a slot in the powerhead. Use it to properly align the side cover during installation.

Spiked bumper: A device fitted to the front of the saw acting as a pivot point when in contact with a tree or log to make cutting easier. Also known as "bucking spikes".

Strain relief bracket: The hook on the rear handle to which the extension cord is looped to protect the cord and prevent unplugging during operation.

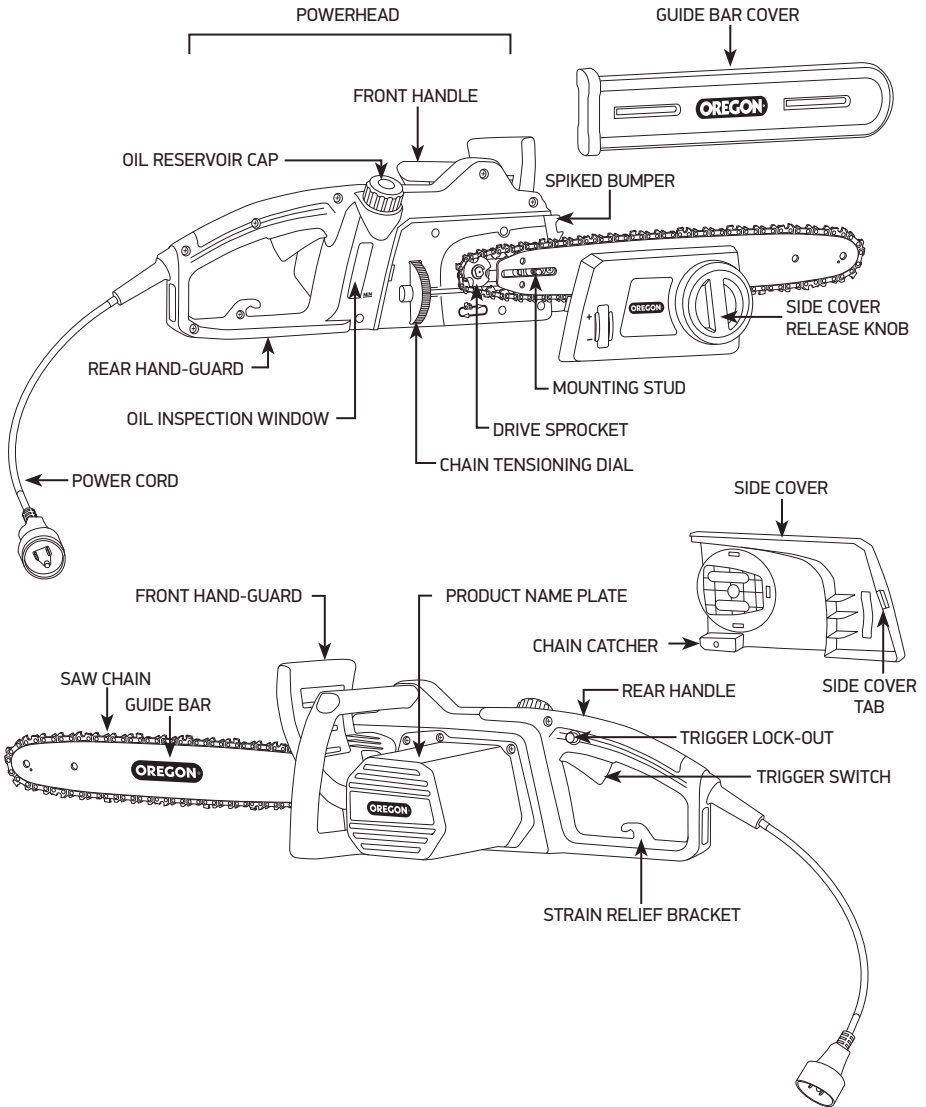
Trigger lock-out: A movable stop that prevents the unintentional operation of the trigger switch until manually actuated.

Trigger switch: A device that turns the chainsaw on and off.

Wear parts: Parts such as the saw chain and guide bar that can wear during use and can be replaced by the user.

Product Identification

Know the Chainsaw



NOTE: See "Preparing for Use" for a list of included items.

Preparing for Use

⚠ DANGER: To avoid serious personal injury, do not operate the chainsaw without the guide bar, saw chain, and side cover properly assembled.

⚠ WARNING: Do not attempt to operate the chainsaw if any part is damaged or missing.

⚠ WARNING: An electric power tool that is plugged in can start accidentally. Unplug the chainsaw before preparing for use or performing maintenance.

What's in the Box?

These items ship with the chainsaw:

- Chainsaw powerhead
- Saw chain and guide bar
- Guide bar cover

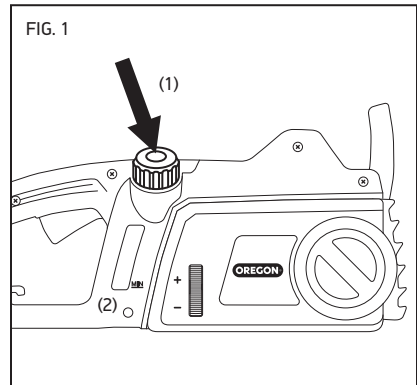
After removing the chainsaw from the box, inspect it carefully to ensure no damage has occurred during shipping and that no parts are missing. If any parts are damaged or missing, do not use the chainsaw. Contact Oregon® to obtain replacement parts. For country-specific telephone numbers, see "Customer Service by Country".

Filling the Bar and Chain Oil Reservoir

IMPORTANT: Bar and chain oil prevents premature wear. Never operate the chainsaw if oil is not visible in the inspection window. Check oil level frequently and fill as needed.

Bar and chain oil is required to properly lubricate the guide bar and saw chain. The chainsaw is equipped with an automatic oiler that deposits oil on the bar and chain when running, keeping them properly lubricated. Use Oregon® bar and chain oil for best results. It is specially designed to provide low friction and faster cuts. NEVER use oil or other lubricants that have not been specifically designed for use on the bar and chain. This can lead to a clogged oil system which may cause premature wear of the bar and chain.

Place the chainsaw on a firm, flat surface so that the oil cap (1) is on top (Fig. 1).



- Clean any debris from the cap area.
- Remove the cap.
- Carefully pour the bar and chain oil into the reservoir.
- Replace the cap and make sure oil is visible in the reservoir (2).

Operating the Chainsaw



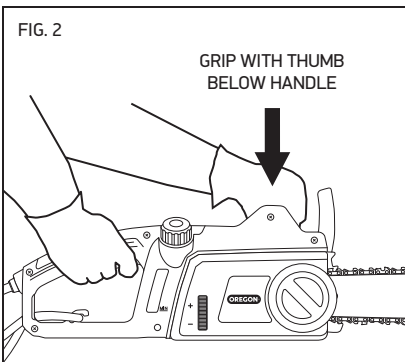
General Operation

⚠ DANGER: To avoid serious personal injury, do not overreach and do not stand on a ladder, stepstool, or any raised position that is not fully secured. Never cut above shoulder height.

⚠ WARNING: To reduce the risk of injury, always wear proper boots, gloves, head, ear, and eye protection.

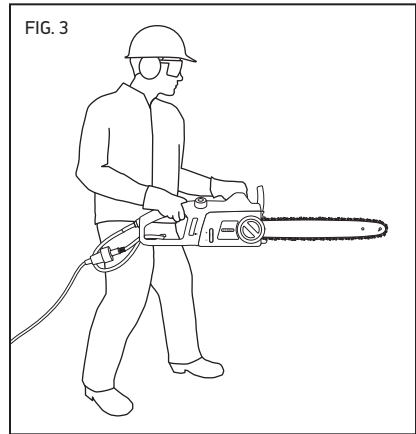
GRIP

Always grip the tool with both hands. Grasp the front handle with the left hand and the rear handle with the right (Fig. 2). Wrap the fingers over the top of the handle with the thumb below the handle.



FOOTING

Stand with both feet on solid ground with weight evenly spread between them (Fig. 3).



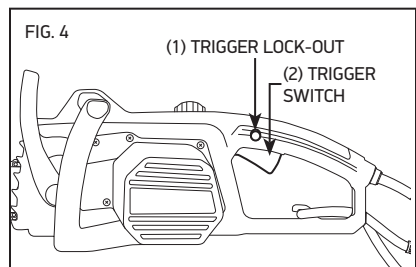
STOPPING THE CHAINSAW

Release the trigger switch to stop the chainsaw.

STARTING THE CHAINSAW

⚠ WARNING: To reduce the risk of injury, never defeat the interlock by taping, wiring or tying down the trigger lock-out.

Grasp the front and rear handles firmly. Press and hold the trigger lock-out with the thumb (1). To start the saw, squeeze the trigger switch (2) (Fig. 4). There is no need to continue to press the trigger lock-out. It will remain disengaged until the trigger is released.



Power Cord Use and Care

SELECTING AN EXTENSION CORD

Select an extension cord that is:

- Specifically labelled for outdoor use
- Of a wire size (AWG) heavy enough to carry the current the full length of the cable according to the table below

Select the gauge of extension cord based on the desired length and the electrical specifications found on the product label.

These are the recommended gauges based on the length of cord.

CORD LENGTH (M)	MIN. WIRE SIZE
0–15	14 AWG (1.5mm ²)
16–30	12 AWG (3.0mm ²)

Make sure the insulation is free of cracks and that the plugs on both ends are undamaged.

USING THE STRAIN RELIEF BRACKET

It is important to use the strain relief bracket for two reasons:

- It saves wear on both the power cord and the extension cord and their plugs.
- It prevents the chainsaw from becoming unplugged from the extension cord accidentally.

To use the strain relief bracket, bend the extension cord into a U-shape and put it through the hole in the rear handle. Slide the loop of cord over the hook and tug lightly until snug (Fig. 5).

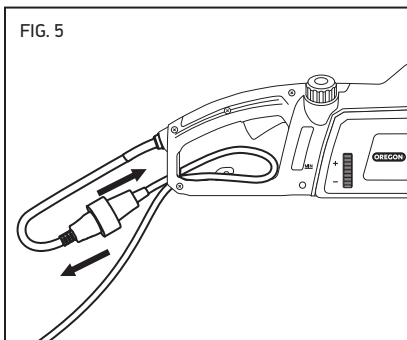


FIG. 5

Cutting

⚠ WARNING: To reduce the risk of injury, wear proper boots, gloves, head, ear, and eye protection.

⚠ WARNING: To reduce the risk of electric shock, make sure the cord insulation is intact and that the cord is in a dry location where there is no danger of it being cut or tripped over.

⚠ WARNING: To reduce the risk of injury, always be sure of footing and hold the chainsaw firmly with both hands while the motor is running.

⚠ WARNING: To reduce the risk of injury, plan ahead and plan multiple escape paths before beginning work.

⚠ CAUTION: Establish a bystander safety zone of 6 m (20 ft) prior to operation of this equipment. Bystander safety zone is a minimum 6 m (20 ft) circle around the operator that must remain free from bystanders, children and pets (Fig. 6). Felling operations require a larger safety zone according to the size of the tree, see “Felling a Tree” section.

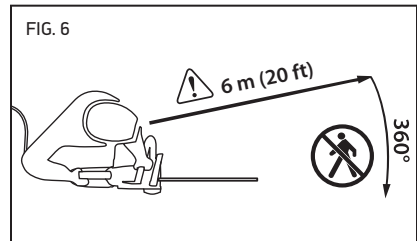


FIG. 6

IMPORTANT: Practice cutting logs on a sawhorse or cradle until you become comfortable operating the saw.

To get the best performance and to operate the saw safely, follow these instructions:

- Observe all applicable national and municipal rules and regulations for cutting.
- Take frequent breaks to reduce the risk of injury.
- Before beginning to cut, make sure the saw chain is properly tensioned and the chain is sharp.

Saw chains are made to cut wood only. Do not use the chainsaw to cut any other materials, and do not allow the chain to come into contact with dirt, stones, nails, staples, or wire. These materials are extremely abrasive and will wear away protective plating from the chain in a very short time.

Sharpen or replace the saw chain if any of these conditions occur:

- The pressure required to make cuts increases noticeably.
- Wood chips coming off of the chain are very fine or dust-like.

Do not work with a dull chain as it will increase the effort required to cut, cause jagged cuts, increase wear on the chainsaw and increase the risk of kickback. Never force a dull chain to cut.

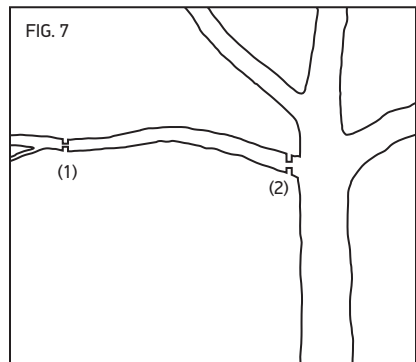
- Assume the proper cutting grip and stance in front of the wood with the saw turned off. Press the trigger lock-out and squeeze the trigger switch. Let the chain reach full speed before beginning the cut.
- Begin cutting by lightly pressing the guide bar against the wood. Use only light pressure and let the saw do the work.
- Maintain a steady speed throughout the cut releasing pressure just before the end of the cut.
- Know the location of the cord at all times to avoid trip hazards and avoid cutting the cord.
- Know the location of the tip of the bar at all times and avoid contact with other objects.
- If the saw stops suddenly when cutting, remove the saw from the cut, then resume cutting using lighter pressure on the work piece.

PRUNING

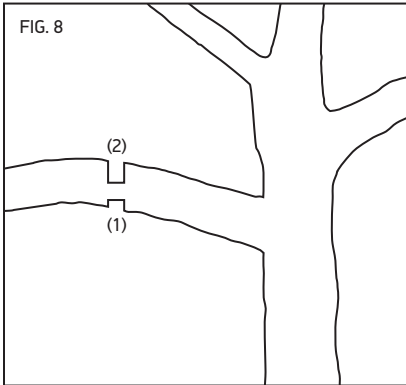
⚠ CAUTION: Falling limbs may bounce or “spring back” after they hit the ground so it is essential to keep the ground clear to provide multiple retreat paths. Clear the work area and wear head protection.

Pruning is removing dead or overgrown branches to maintain plant health.

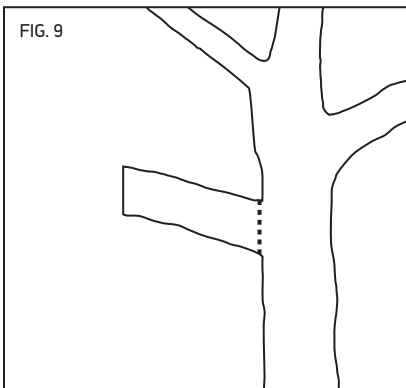
- Plan retreat paths before beginning to cut, and make sure there are no obstructions. Always know how to get out of the way of falling branches.
- Make sure bystanders or helpers are a safe distance from falling branches. Bystanders or helpers should not stand directly in front of or behind the operator. See Fig. 6.
- Maintain solid footing and hold the chainsaw firmly with both hands. Do not overreach. Never climb a tree or ladder to reach high limbs.
- Secure any branches that might be hazardous.
- Use proper auxiliary equipment.
- Prune lower limbs before pruning higher ones.
- Allow the saw chain to achieve full speed before cutting.
- Apply light pressure to the branch.
- For long limbs (Fig. 7), cut the end of the limb first (1) to relieve pressure from the limb, then prune closer to the trunk (2).



- Thick limbs (greater than 10 cm (4 inch) in diameter) can splinter or pinch the chain when making a single cut from the top. To avoid pinching or splintering, first make one shallow relief cut on the bottom surface of the limb (1), then cut the limb all of the way through from the top of the limb (2) to match the bottom cut (Fig. 8).

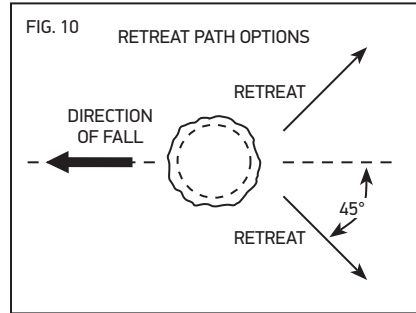


- After most of the limb has been removed, make one smooth cut near the trunk (Fig. 9).



FELLING A TREE

⚠ CAUTION: A tree is likely to roll or slide downhill after it is felled. Plan and clear a retreat path before cuts are started. The retreat path should extend back and diagonally to the rear of the expected line of fall (Fig. 10).

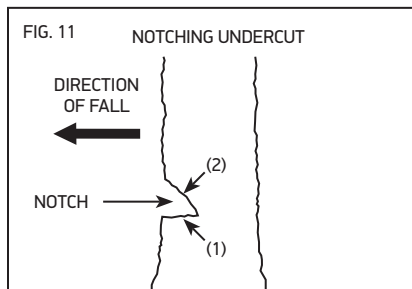


Felling is cutting down a tree.

- Before felling is started, consider the natural lean of the tree, the location of larger branches and the wind direction to judge which way the tree will fall.
- Remove dirt, stones, loose bark, nails, staples and wire from the tree where felling cuts are to be made.
- When bucking and felling operations are being performed by two or more persons at the same time, separate the felling operation from the bucking operation by a distance of at least twice the height of the tree being felled.
- Trees should not be felled in a manner that would endanger any person, strike any utility line or cause any property damage. If the tree contacts any utility line, immediately leave the area and notify the utility company.
- Use the metal spikes on the front of the saw to support the saw on the wood. Set metal spiked bumper into the wood and use as a leverage point to increase stability when cutting large diameter wood.

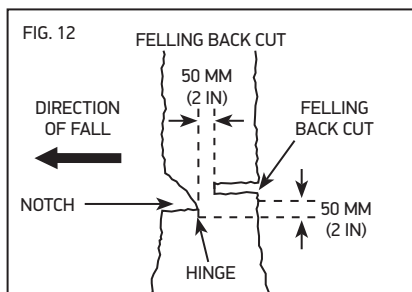
Notching Undercut

- First, make the notch 1/3 the diameter of the tree perpendicular to the direction of fall. Make the lower horizontal notching undercut first (1). This will help to avoid pinching of either the saw chain or the guide bar when the second cut (2) is being made (Fig. 11).



Felling Back Cut

- Second, make the felling back cut at least 50 mm (2 in) higher than the horizontal notching undercut (Fig. 12). Keep the felling back cut parallel to the horizontal notching undercut.



- Make the felling back cut so enough wood is left to act as a hinge. The hinge wood keeps the tree from twisting and falling in the wrong direction. Do not cut through the hinge.
- As the felling cut gets close to the hinge, the tree should begin to fall.

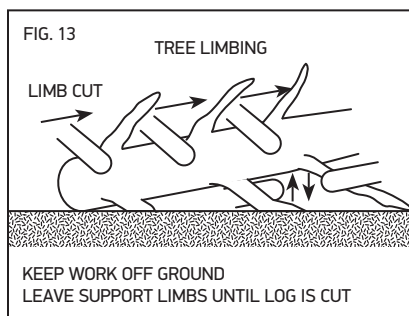
- If there is any chance that the tree may not fall in the desired direction or it may rock back and bind the saw chain, stop cutting before the felling back cut is complete and use wedges of wood, plastic or aluminium to open the cut and drop the tree along the desired line of fall.
- When the tree begins to fall, remove the chainsaw from the cut, stop the motor, put the chainsaw down, then use the retreat path planned.
- Be alert for overhead limbs falling and watch footing.

LIMBING A TREE

⚠ CAUTION: Limbs under tension can “spring back” and contact the operator or throw the chainsaw out of control resulting in personal injury. Always be alert for wood under tension which may strike the operator or chainsaw when cut.

Limbing is removing the branches from a fallen tree.

- When limbing, leave larger lower limbs to support the log off the ground.
- Remove the small limbs in one cut.
- Branches under tension should be cut from the bottom up to avoid binding the chainsaw (Fig. 13).

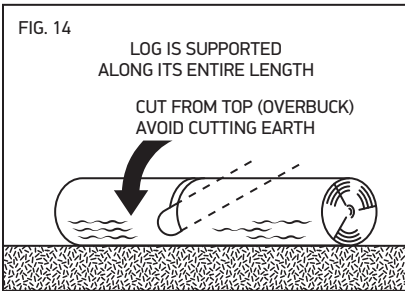


BUCKING A LOG

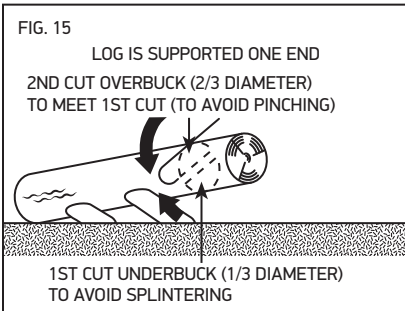
⚠ CAUTION: Bucking logs under tension increases the chance of kickback. Use one of the methods below to support the log when bucking.

Bucking is cutting a log into lengths. It is important to make sure footing is firm and weight is evenly distributed on both feet. When possible, the log should be raised and supported by the use of limbs, logs or chocks.

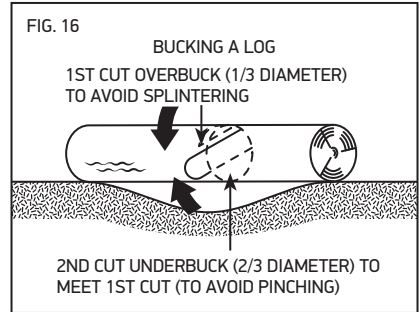
- When the log is supported along its entire length, cut from the top (overbuck), then make the finished cut by underbucking the lower 2/3 to meet the first cut (Fig. 14).



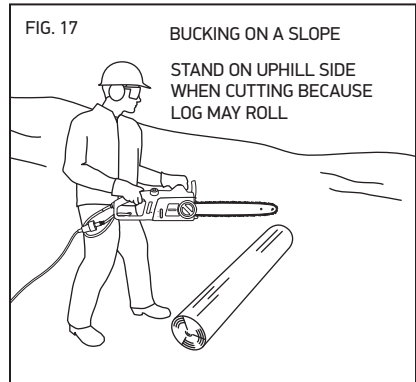
- When the log is supported on one end, cut 1/3 the diameter from the underside (underbuck), then make the finished cut by overbucking to meet the first cut (Fig. 15).



- When the log is supported on both ends, cut 1/3 of that diameter from the top overbuck, then make the finished cut by underbucking the lower 2/3 to meet the first cut (Fig. 16).



- When bucking on a slope, always stand on the uphill side of the log (Fig. 17).



- To maintain complete control when cutting through, release the cutting pressure near the end of the cut without relaxing the grip on the chainsaw handles.
- Don't let the chain contact the ground.
- After completing the cut, wait for the saw chain to stop before you move the chainsaw.
- Always stop the motor before moving from tree to tree.

Maintenance and Cleaning



⚠ WARNING: Failure to identify and replace damaged or worn parts can cause serious personal injury. Inspect the chainsaw regularly. Regular inspection is the first step to proper maintenance. Follow the guidelines below to maximise safety and satisfaction. Have any damaged or excessively worn parts replaced immediately.

⚠ WARNING: An electric power tool that is plugged in can start accidentally. Unplug the chainsaw before preparing for use or performing maintenance.

⚠ CAUTION: When cleaning the chainsaw, do not immerse in water or other liquids.

Inspection

Before each use and if the chainsaw has been dropped, inspect these parts:

- **Cord:** Ensure the plug is in good condition and not bent or corroded, and that the insulation is intact. If the cord is damaged, do not use. Contact an authorised service dealer.
- **Handles:** Front and rear handles should not have cracks or other damage. They should be clean and dry.
- **Front Hand-Guard:** The front hand-guard should be free of damage.
- **Saw Chain:** The chain should be properly tensioned and sharp and all components free of cracks, chips, broken teeth or excessive wear. See “Tensioning the Saw Chain” and “Sharpening the Saw Chain”.

- **Side Cover:** The side cover should be free of cracks or other damage. It should fit tightly to the saw body with no warping. Make sure the chain catcher is free of cracks.
- **Oil Level:** Make sure the oil reservoir is full before use.
- **Motor Housing:** Check for cracks in the cover and debris in the air intake vents.

Periodically inspect these parts:

- **Drive Sprocket:** Look for deep grooves, broken teeth or burrs.
- **Bar-Mounting Area Underneath Side Cover:** Make sure the bar mounting stud is not bent, stripped or cross-threaded and that the bar pad and alignment flange are free of debris and intact.

Cleaning

⚠ CAUTION: When cleaning the chainsaw powerhead, do not immerse in water or other liquids.

Wear gloves.

- Unplug the chainsaw.
- Remove wood chips and other debris from the motor housing and the vents.
- Always clean out wood chips, saw dust, and dirt from the bar groove when replacing the chain.
- Make sure the cord and plug are dry before connecting to an outlet.

Tensioning the Saw Chain



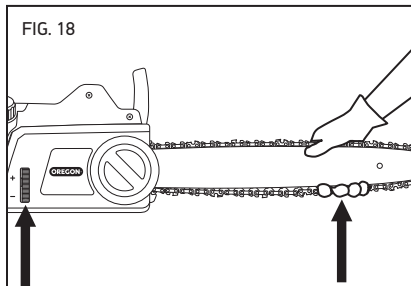
⚠ WARNING: An electric power tool that is plugged in can start accidentally. Unplug the chainsaw before preparing for use or performing maintenance.

⚠ WARNING: If the chain is still loose when the saw is at maximum tension, replace the chain.

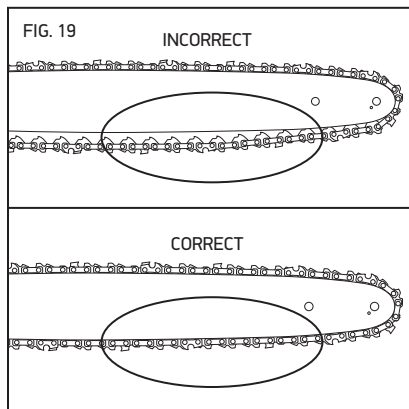
IMPORTANT: Only tension the saw chain when the chain is cool. A hot chain may contract and damage the guide bar or chain as it cools.

Wear gloves.

- Unplug the chainsaw before tensioning.
- Loosen the side cover release knob slightly, but do not remove the side cover.
- Hold up the nose of the guide bar (Fig. 18) and rotate the chain tensioning dial up to tighten.



- Tighten until the lowest cutters underneath the bar solidly contact the bar (Fig. 19).



- Tighten the side cover release knob.
- Lightly pull on the chain. The tension is correct when the chain snaps back after being pulled 3 mm away from the guide bar.
- After a short period of use, allow the chain to cool, unplug the chainsaw and check the tension again. Watch tension carefully for the first half-hour of use and periodically throughout the life of the chain readjusting as required when the chain and bar are cool to the touch. Never tension chain when it is hot.

Chain will stretch as a result of normal use, however, insufficient oil, aggressive use, or failure to perform recommended maintenance can lead to premature stretching.

Sharpening the Saw Chain

It is recommended that an Oregon® Service Dealer sharpen the chain, but it can also be sharpened by the operator.

⚠ WARNING: If the chain is incorrectly sharpened or the depth gauge is set too low, there is an increased risk of injury. Always sharpen the chain according to the specifications described in this manual.

IMPORTANT: Sharpening according to these instructions will address minor damage to the saw chain from contact with dirt or similar occurrences. To repair more serious saw chain damage (such as after contact with concrete), take the chain to an authorised Oregon® service dealer, or replace the chain.

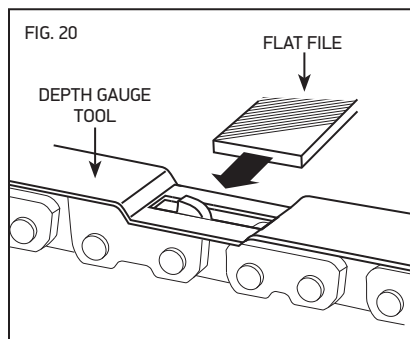
Chain sharpening requires these tools (available in a kit from Oregon®; see “Specifications and Components”):

- File guide
- 4 mm (5/32 inch) round saw chain sharpening file (use only special saw chain sharpening files)
- 0.025 inch (0.65 mm) depth gauge tool
- Flat file

After collecting the tools, wear gloves and eye protection, and unplug the chainsaw. Then, file the chain to set the depth gauge:

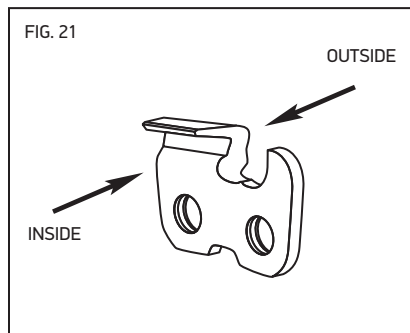
- Loosen the side cover knob and remove side cover.
- Loosen the chain tensioning dial as far as it will go.
- Remove the chain.
- Place the chain in a vise to hold it steady.

- Place the depth gauge tool on top of the chain so that one depth gauge protrudes through the slot in the tool.
- If the depth gauge extends above the top of the slot, file the depth gauge down level with the top of the tool using a flat file (Fig. 20). Never file the depth gauge down enough to exceed the depth gauge setting specified in this manual.



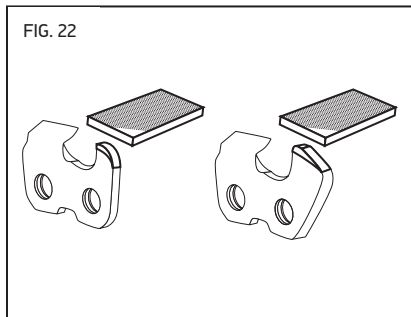
IMPORTANT: Sharpen in one direction only, from inside to outside. Never sharpen with a back-and-forth motion.

- File from the inside surface of the depth gauge to the outside (Fig. 21).

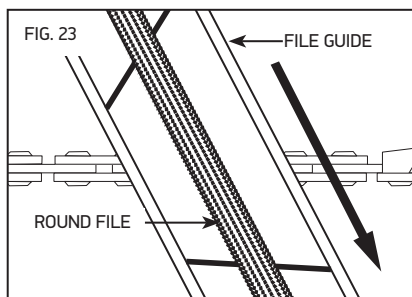


- Remove the depth gauge tool.

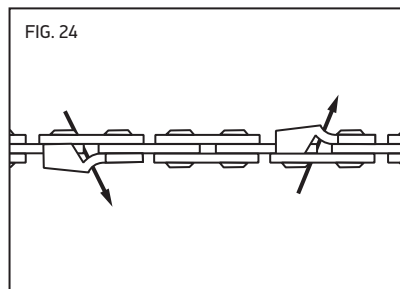
- After lowering, always file off the front corner of each depth gauge parallel to its original rounded or ramped shape (Fig. 22).



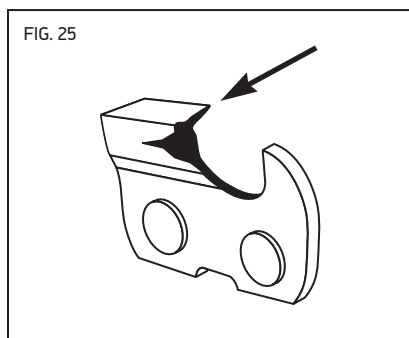
- Repeat for each depth gauge on the chain.
- After setting the depth gauge, sharpen the cutters:
- Place the chain file into the file guide.
 - Align the file guide so that the correct top plate filing angle marked on the file guide is parallel to the chain (Fig. 23).



- Sharpen cutters on one side of the chain first. Make 3-4 strokes with the file from the inside of each cutter to the outside. Use the same number of strokes on each cutter. Then, turn the chainsaw around and repeat for cutters on the other side of the chain (Fig. 24).



- File back any damage on the chrome top or side plates (Fig. 25).



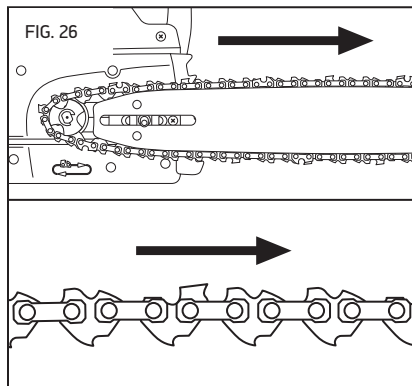
- Keep all cutter lengths equal.
- After sharpening all cutters, use the file guide to check the depth gauges again. Reset the depth gauge if necessary.
- Replace the chain and the side cover.

Replacing a Worn Saw Chain

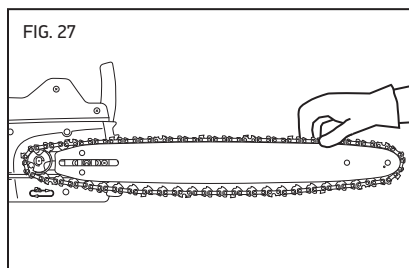
When the saw chain becomes cracked or has broken teeth, is stretched to the point that it cannot be kept at proper tension or simply cannot be sharpened, it must be replaced.

Wear gloves.

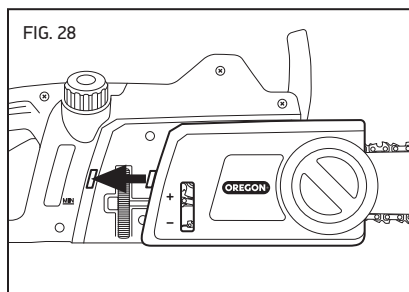
- Unplug the chainsaw.
- Loosen the side cover release knob slightly, but do not remove the side cover.
- Loosen the chain tensioning dial as far as it will go.
- Loosen the side cover release knob and remove the side cover.
- Remove the saw chain.
- Loop the new saw chain onto the drive sprocket so that the cutting edges of the teeth along the top of the bar face away from the powerhead (Fig. 26).



- Feed the chain into the groove of the bar and slide the bar away from the motor to remove slack from the chain (Fig. 27).



- Install the side cover, making sure the chain catcher and side cover tab are seated in their proper locations (Fig. 28), then lightly tighten the side cover release knob.



- Tension the chain as described in “Tensioning the Saw Chain”.

IMPORTANT: The saw chain must be properly tensioned before using. See “Tensioning the Saw Chain”.

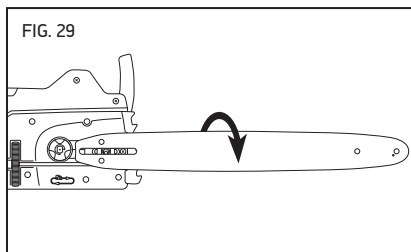
Maintaining the Guide Bar

⚠ CAUTION: The guide bar can be hot after cutting. Wear gloves to avoid burns.

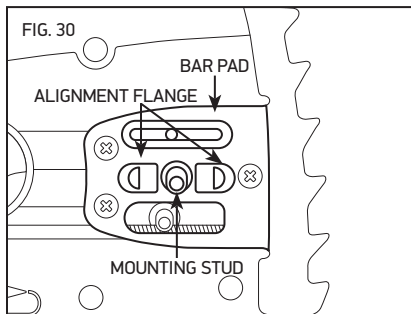
To even bar wear and maximise bar life, flip the bar occasionally.

Wear gloves.

- Unplug the chainsaw.
- Loosen the side cover release knob slightly, but do not remove the side cover.
- Loosen the chain tensioning dial as far as it will go.
- Loosen the side cover release knob and remove the side cover.
- Remove the bar and chain and inspect for damage and wear.
- Flip the bar (Fig. 29).



- Place the guide bar on the bar pad by sliding the bar slot over the alignment flange, with the mounting stud inserted through the slot in the guide bar. Align the lower tensioning hole on guide bar to seat on the tensioning stud (Fig. 30).



- Replace the saw chain as described in "Replacing a Worn Saw Chain".
- Tension the chain as described in "Tensioning the Saw Chain".

Replacing a Worn Guide Bar

⚠ WARNING: The edges of a worn guide bar, particularly the edges of the groove where the chain touches the bar, can be extremely sharp. Use appropriate hand protection.

When the guide bar becomes cracked or has excessive wear around the edges, particularly in the groove where the saw chain touches the bar, it must be replaced. Also, if the nose sprocket is worn, has teeth missing or does not turn smoothly, the bar must be replaced.

Wear gloves.

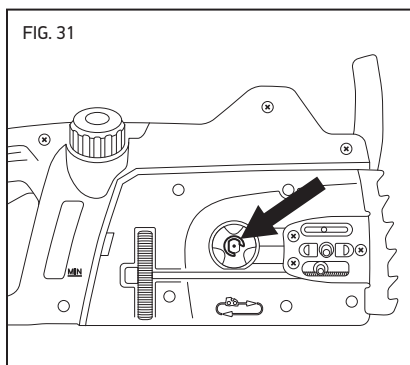
- Unplug the chainsaw.
- Loosen the side cover release knob slightly, but do not remove the side cover.
- Loosen the chain tensioning dial as far as it will go.
- Loosen the side cover release knob and remove the side cover.
- Remove the bar and chain.
- Replace the guide bar as described in "Maintaining the Guide Bar".
- Replace the chain as described in "Replacing a Worn Saw Chain".
- Tension the chain as described in "Tensioning the Saw Chain".

Replacing the Drive Sprocket

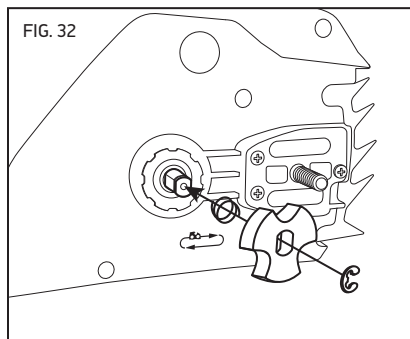
Replace the drive sprocket after every two saw chain replacements or when the sprocket is damaged.

Wear gloves.

- Unplug the chainsaw.
- Loosen the side cover release knob slightly, but do not remove the side cover.
- Loosen the chain tensioning dial as far as it will go.
- Loosen the side cover release knob and remove the side cover.
- Remove the bar and chain.
- Use a small flat screwdriver to pry open and remove the e-clip, then remove the drive sprocket and spring (Fig. 31).



- Insert the new spring and drive sprocket, and install the new e-clip (Fig. 32).



- Replace the bar and chain as described in "Replacing a Worn Saw Chain".
- Tension the chain as described in "Tensioning the Saw Chain".

Additional Maintenance Information

For further information on maintaining the saw chain, guide bar and drive sprocket, consult the Oregon® Maintenance and Safety Manual at <http://oregonproducts.com/maintenance/manual.htm>.

Troubleshooting

Use this table to see possible solutions for problems with the chainsaw. If these suggestions do not solve the problem, see “Warranty and Service”.

SYMPTOM	POSSIBLE CAUSE	RECOMMENDED ACTIONS
Motor stops while cutting	Chain pinched in cut	Undercut limb to relieve pressure on limb. See “Cutting”.
	Cord is damaged or severed	If extension cord is damaged, do not use and replace it. If chainsaw cord is damaged, do not use and contact an approved service location.
Motor does not run or runs intermittently	Saw is not plugged in	Plug in the saw.
	Cord is damaged or severed	If extension cord is damaged, do not use and replace it. If chainsaw cord is damaged, do not use and contact an approved service location.
	GFCI outlet is tripped	Unplug extension cord, reset GFCI and plug the extension cord back in.
	Bad electrical outlet	Plug extension cord into a different outlet.
	Trigger lock-out not pressed	Press the trigger lock-out before squeezing the trigger switch. See “General Operation”.
	Debris in side cover	Unplug the chainsaw, then remove side cover and clean out debris.
Motor runs, but saw chain does not rotate	Chain not engaging drive sprocket	Reinstall the chain, making sure the drive links on the chain are fully seated on the drive sprocket. See “Replacing a Worn Saw Chain”.
	Guide bar nose sprocket is not turning	Replace the guide bar. See “Replacing a Worn Guide Bar”.
Chainsaw does not cut properly	Insufficient chain tension	Tension the chain. See “Tensioning the Saw Chain”.
	Dull chain	See “Sharpening the Saw Chain”.
	Chain installed backwards	Install the chain with the teeth facing the correct direction. See “Replacing a Worn Saw Chain”.
	Worn chain	Replace the chain. See “Replacing a Worn Saw Chain”.
	Dry or excessively stretched chain	Check the oil level. Refill oil reservoir if necessary. See “Filling the Bar and Chain Oil Reservoir”.
	Chain not in bar groove	Reseat chain onto groove. See “Replacing a Worn Saw Chain”.
Chain loosening or coming off of guide bar	Side cover not installed correctly	Properly install side cover ensuring the tab at rear of side cover is tucked into saw body.
Bar and chain excessively hot and/or smoking	Chain is under-lubricated	Check the oil level. Refill oil reservoir if necessary. See “Filling the Bar and Chain Oil Reservoir”.

Specifications and Components

⚠ WARNING: Using replacement parts other than those specified in this instruction manual increases the risk of injury. Never use cutting attachments other than those described in this manual. Serious or even fatal injuries could result if the wrong cutting attachments are used.

REPLACEMENT COMPONENTS	PART NUMBER
Guide bar	160SDEA041
Saw chain	91PJ056X (S56)
CHAINSAW SPECIFICATIONS	
Voltage	120V AC 60 Hz
Power	12 Amp
Oil capacity	3.38 oz (100 ml)
Bar and chain oil	Oregon®
Dry weight assembled	10.1 lb (4.6 kg)
Dry weight without bar and chain	8.2 lb (3.7 kg)
Max bar length	16 inches (40 cm)
Effective cutting length	15.5 inches (39 cm)
Drive sprocket teeth	6
No load chain speed	46 ft/s

Warranty and Service

Warranty

Blount, Inc. warrants all registered Oregon® CS1200 Chainsaws for a period of two (2) years. This warranty is valid only for units that have been used for personal use that have not been hired or rented, or used for commercial or industrial use. During the warranty period, Blount will replace or, at its option, repair for the original purchaser only, free of charge, any product or part which is found upon examination by Blount to be defective in material and/or workmanship. The purchaser shall be responsible for all transportation charges and any cost of removing any part submitted for replacement under this warranty.

Keep Original Receipt

Please attach original receipt from initial purchase to this manual and file. For warranty service, please bring product and receipt to the dealer where product was purchased. Or contact Oregon® at 800.223.5168.

Service and Support Information

Visit us on the web at OregonProducts.com for service center information, or contact our customer service department at 800.223.5168 for assistance, additional technical advice, repair, or replacement parts.

For safety, use only genuine factory replacement parts on the chainsaw. Our service center is staffed with trained personnel to efficiently provide support and assistance with adjustment, repair, or replacement of all Oregon® products.

Table des matières



Instructions de sécurité importantes	31
Définitions des signaux de sécurité	31
Avertissements de sécurité généraux pour les outils électriques	31
Sécurité du lieu de travail	31
Sécurité en matière d'électricité	31
Sécurité personnelle	32
Utilisation et entretien d'un outil électrique	32
Réparation	32
Consignes de sécurité et avertissements pour les scies à chaîne	32
Causes de l'effet de rebond et prévention par l'opérateur	33
Suivre les précautions qui suivent pour réduire l'effet de rebond notamment	34
Directives de sécurité concernant l'effet de rebond	34
Entreposage, transport et élimination	35
Symboles et étiquettes	36
Noms et termes relatifs à la tronçonneuse	37
Identification du produit	38
Préparation avant utilisation	39
Contenu de la boîte	39
Remplissage du réservoir d'huile du guide et de la chaîne	39
Utilisation de la tronçonneuse	40
Utilisation générale	40
Utilisation et entretien du câble d'alimentation	41
Découpage	41
Entretien et nettoyage	46
Inspection	46
Nettoyage	46
Tension de la chaîne de tronçonneuse	47
Affûtage de la Chaîne	48
Remplacement d'une chaîne usée	50
Entretien du guide-chaîne	51
Remplacement d'un guide-chaîne usé	51
Remplacement du pignon d'entraînement	52
Informations supplémentaires relatives à l'entretien	52
Dépannage	53
Caractéristiques et composants	54
Garantie et entretien	55

Instructions de sécurité importantes

Introduction

Cette tronçonneuse est conçue pour une utilisation légère et occasionnelle. Elle n'est pas conçue pour abattre de grands arbres ou couper des troncs d'un gros diamètre. Cette tronçonneuse n'est pas conçue pour l'entretien des arbres. Ne coupez pas d'arbres ni de bois dont le diamètre est supérieur à la longueur de coupe effective de la tronçonneuse, c'est-à-dire 40 cm (16 pouces).

Définitions des signaux de sécurité

SYMBOLE	SIGNAL	SIGNIFICATION
	AVERTISSEMENT	Indique un risque potentiel qui pourrait causer de graves blessures.
	MISE EN GARDE	Indique un risque potentiel qui pourrait gravement endommager l'outil ou causer des blessures légères ou modérées.
	IMPORTANT	En suivant ces instructions, vous augmenterez votre degré de satisfaction quant à l'utilisation du produit.

Avertissements de sécurité généraux pour les outils électriques

⚠ AVERTISSEMENT : Lire tous les avertissements de sécurité et toutes les directives. Le non-respect des avertissements et des directives pourrait se solder par un choc électrique, un incendie et/ou une blessure grave.

CONSERVER TOUS LES AVERTISSEMENTS ET TOUTES LES DIRECTIVES POUR UN USAGE ULTÉRIEUR.

Le terme « outil électrique » utilisé dans les avertissements fait référence à votre outil électrique alimenté sur secteur (câblé) ou fonctionnant sur batterie (sans câble).

Sécurité du lieu de travail

- **Tenir la zone de travail propre et bien éclairée.**
Les endroits sombres sont souvent des causes d'accidents.
- **Ne pas faire fonctionner d'outils électriques dans un milieu déflagrant, soit en présence de liquides inflammables, de gaz ou de poussière.**
Les outils électriques produisent des étincelles qui peuvent enflammer la poussière ou les vapeurs.
- **Éloigner les enfants et les curieux au moment d'utiliser un outil électrique.** Une distraction pourrait vous en faire perdre la maîtrise.

Sécurité en matière d'électricité

- **Les fiches des outils électriques doivent correspondre à la prise. Ne jamais modifier la fiche en aucune façon. Ne jamais utiliser de fiche d'adaptation avec un outil électrique mis à la terre.** Le risque de choc électrique sera réduit par l'utilisation de fiches non modifiées correspondant à la prise.
- **Éviter tout contact physique avec des surfaces mises à la terre comme des tuyaux, des radiateurs, des cuisinières et des réfrigérateurs.** Le risque de choc électrique est plus élevé si votre corps est mis à la terre.
- **Ne pas exposer les outils électriques à la pluie ou à d'autres conditions où il pourrait être mouillé.** La pénétration de l'eau dans un outil électrique augmente le risque de choc électrique.
- **Ne pas utiliser abusivement le cordon d'alimentation. Ne jamais utiliser le cordon pour transporter, tirer ou débrancher un outil électrique. Tenir le cordon éloigné de la chaleur, de l'huile, des bords tranchants ou des pièces mobiles.** Les cordons endommagés ou emmêlés augmentent les risques de choc électrique.
- **Pour l'utilisation d'un outil électrique à l'extérieur, se servir d'une rallonge convenant à une telle utilisation.** L'utilisation d'une rallonge conçue pour l'extérieur réduit les risques de choc électrique.
- **S'il est impossible d'éviter l'utilisation d'un outil électrique dans un endroit humide, brancher l'outil dans une prise ou sur un circuit d'alimentation dotés d'un disjoncteur de fuite**

à la terre (GFCI). L'utilisation de ce type de disjoncteur réduit les risques de choc électrique.

Sécurité personnelle

- **Être vigilant, surveiller le travail effectué et faire preuve de jugement lorsqu'un outil électrique est utilisé. Ne pas utiliser d'outil électrique en cas de fatigue ou sous l'influence de drogues, d'alcool ou de médicaments.** Un simple moment d'inattention en utilisant un outil électrique peut entraîner des blessures corporelles graves.
- **Utiliser des équipements de protection individuelle. Toujours porter une protection oculaire.** L'utilisation d'équipements de protection comme un masque antipoussière, des chaussures antidérapantes, un casque de sécurité ou des protecteurs auditifs lorsque la situation le requiert réduira les risques de blessures corporelles.
- **Empêcher les démarrages intempestifs. S'assurer que l'interrupteur se trouve à la position d'arrêt avant de relier l'outil à une source d'alimentation et/ou d'insérer un bloc-piles, de ramasser ou de transporter l'outil.** Transporter un outil électrique alors que le doigt repose sur l'interrupteur ou brancher un outil électrique dont l'interrupteur est à la position de marche risque de provoquer un accident.
- **Retirer toute clé de réglage ou clé standard avant de démarrer l'outil.** Une clé standard ou une clé de réglage attachée à une partie pivotante peut causer des blessures.
- **Ne pas trop tendre les bras. Conserver son équilibre en tout temps.** Cela permet de mieux maîtriser l'outil électrique dans les situations imprévues.
- **S'habiller de manière appropriée. Ne pas porter de vêtements amples ni de bijoux. Garder les cheveux, les vêtements et les gants à l'écart des pièces mobiles.** Les vêtements amples, les bijoux ou les cheveux longs risquent de rester coincés dans les pièces mobiles.
- **Si des composants sont fournis pour le raccordement de dispositifs de dépoussiérage et de ramassage, s'assurer que ceux-ci sont bien raccordés et utilisés.** L'utilisation d'un dispositif de dépoussiérage peut réduire les dangers engendrés par les poussières.

Utilisation et entretien d'un outil électrique

- **Ne pas forcer un outil électrique. Utiliser l'outil électrique approprié à l'application.** L'outil électrique approprié effectuera un meilleur travail, de façon plus sûre et à la vitesse pour laquelle il a été conçu.

- **Ne pas utiliser un outil électrique dont l'interrupteur est défectueux.** Tout outil électrique dont l'interrupteur est défectueux est dangereux et doit être réparé.
- **Débrancher la fiche du secteur ou le bloc-piles de l'outil électrique avant de faire tout réglage ou changement d'accessoire, ou avant de ranger l'outil électrique.** Ces mesures préventives réduisent les risques de démarrage accidentel de l'outil électrique.
- **Ranger les outils électriques hors de la portée des enfants, et ne permettre à aucune personne n'étant pas familière avec un outil électrique (ou son manuel d'instruction) d'utiliser ce dernier.** Les outils électriques deviennent dangereux entre les mains d'utilisateurs inexpérimentés.
- **Entretenir les outils électriques. Vérifier les pièces mobiles pour s'assurer qu'elles sont bien alignées et tournent librement, qu'elles sont en bon état et ne sont affectées par aucun trouble susceptible de nuire au bon fonctionnement de l'outil électrique. En cas de dommage, faire réparer l'outil électrique avant toute nouvelle utilisation.** Beaucoup d'accidents sont causés par des outils électriques mal entretenus.
- **S'assurer que les outils de coupe sont aiguisés et propres.** Les outils de coupe bien entretenus et affûtés sont moins susceptibles de se coincer et sont plus faciles à contrôler.
- **Utiliser l'outil électrique, les accessoires, les forêts, etc. conformément aux présentes directives en tenant compte des conditions de travail et du travail à effectuer.** L'utilisation d'un outil électrique pour toute opération autre que celle pour laquelle il a été conçu est dangereuse.

Réparation

- **Faire réparer l'outil électrique par un réparateur professionnel en n'utilisant que des pièces de rechange identiques.** Cela permettra de maintenir une utilisation sécuritaire de l'outil électrique.

LIRE TOUTES CES DIRECTIVES.

Consignes de sécurité et avertissements pour les scies à chaîne

- **Éloigner toute partie du corps de la chaîne de l'outil lorsque la scie à chaîne est en marche. Avant de démarrer la scie à chaîne, s'assurer que la chaîne est dégagée, sans aucun contact avec des objets.** Un moment d'inattention, durant l'utilisation d'une scie à chaîne, peut résulter dans l'enchevêtrement des vêtements ou d'une partie du corps dans la chaîne.

- **Toujours tenir la tronçonneuse avec votre ISO sur la poignée arrière et la main gauche sur la poignée avant.** Tenir la tronçonneuse avec une configuration inversée main augmente le risque de blessure et ne devrait jamais être fait.
- **Tenir l'outil électrique par ses surfaces de prise isolées seulement, car la chaîne peut entrer en contact avec un câblage caché ou le cordon de la scie.** Tout contact entre une chaîne de scie et un fil «sous tension» risque de mettre «sous tension» les pièces métalliques exposées de l'outil et de donner un choc électrique à l'opérateur.
- **Porter des lunettes de sécurité et une protection auditive. Le port d'un équipement de protection supplémentaire pour la tête, les mains, les jambes et les pieds est recommandé.** Les vêtements de protection appropriés réduisent les blessures corporelles causées par les débris projetés ou un contact accidentel avec la chaîne de scie.
- **Ne pas grimper dans un arbre pour utiliser la scie à chaîne.** L'utilisation d'une scie à chaîne en hauteur dans un arbre peut se solder par des blessures corporelles.
- **Conserver toujours un pas sûr et utiliser uniquement la scie à chaîne debout sur une surface fixe, sécuritaire et de niveau.** Les surfaces glissantes ou instables comme les échelles peuvent entraîner une perte de l'équilibre ou du contrôle de la scie à chaîne.
- **Lors de la coupe d'une branche maîtresse sous tension, prendre garde au redressement de la branche.** Lorsque la tension contenue dans les fibres de bois se relâche, la branche maîtresse pendant la détente risque de frapper l'utilisateur et/ou de lui faire perdre le contrôle de la scie à chaîne.
- **Être extrêmement prudent lors de la coupe de broussailles ou de jeunes arbres.** Les branches élançées peuvent se coincer dans la chaîne et être projetées vers vous ou vous déséquilibrer.
- **Transporter la scie à chaîne par la poignée avant avec l'outil hors tension et à l'écart du corps. Toujours mettre la gaine du guide-chaîne avant de transporter ou d'entreposer la scie à chaîne.** La manipulation adéquate de la scie à chaîne réduit le risque de contact accidentel avec la chaîne en mouvement.
- **Suivre les consignes de graissage, de tension de la chaîne et de changement d'accessoires.** Une chaîne mal tendue ou graissée risque de se briser ou accroît la probabilité d'un effet de rebond.
- **Maintenir les poignées sèches, propres et exemptes d'huile et de graisse.** Des poignées pleines de graisse sont glissantes et peuvent vous faire perdre le contrôle de votre outil.

- **Ne couper que le bois. Ne pas utiliser la scie à chaîne pour des applications pour lesquelles l'outil n'est pas conçu, comme la coupe de matériaux plastiques, de la maçonnerie ou des matériaux de constructions qui ne sont pas en bois.** L'utilisation de la scie à chaîne pour toutes opérations autres que celles pour lesquelles elle a été conçue est dangereuse.

Causes de l'effet de rebond et prévention par l'opérateur

L'effet de rebond se produit lorsque l'extrémité ou la partie supérieure du guidechaîne frappe un objet ou lorsque la chaîne se coince dans une entaille.

Le contact de l'extrémité pourrait provoquer une réaction inverse soudaine qui projetterait le guide-chaîne vers le haut et l'arrière en direction de l'opérateur.

Un coincement de la chaîne de la scie sur le dessus du guide-chaîne pourrait repousser rapidement le guide-chaîne vers l'arrière en direction de l'opérateur. L'un ou l'autre de ces mouvements brusques pourrait vous faire perdre la maîtrise de la scie et se solder par une grave blessure corporelle. Il ne faut pas se fier exclusivement aux dispositifs de sécurité intégrés à votre scie. L'utilisateur de scie à chaîne doit prendre plusieurs mesures pour éviter tout accident ou toute blessure lors des travaux de coupe.

Un effet de rebond est le résultat d'une mauvaise utilisation de l'outil et/ou de procédures ou conditions de fonctionnement incorrectes. Il peut être évité en prenant les précautions nécessaires telles que décrites ci-dessous :

- **Saisir fermement la scie à chaîne des deux mains, avec les pouces et les doigts autour des poignées, et positionner le corps et les bras de sorte à résister à la force de l'effet de rebond.** Il est possible de maîtriser les forces de l'effet de rebond avec de telles mesures de précaution. Ne pas lâcher la scie à chaîne.
- **Ne pas trop tendre les bras et ne pas couper au-dessus du niveau des épaules.** Cela aide à éviter un contact accidentel de l'extrémité et permet de mieux maîtriser la scie à chaîne dans les situations imprévues.
- **Utiliser uniquement les guide-chaînes et les chaînes de remplacement spécifiés par le fabricant.** Les guidechaînes et les chaînes de remplacement inadéquats peuvent entraîner un bris de la chaîne et/ou un effet de rebond.
- **Suivre les directives du fabricant pour l'affûtage et l'entretien de la chaîne de scie.** Le fait de baisser le guide de profondeur peut accroître l'effet de rebond.

Suivre les précautions qui suivent pour réduire l'effet de rebond notamment

- Saisir fermement la scie à chaîne. Tenir fermement la scie à chaîne avec les deux mains lorsque le moteur est en marche. Utiliser une prise ferme avec les pouces et les doigts et encercler les poignées de la scie à chaîne. La scie à chaîne imprimera un mouvement avant lors de la coupe avec la partie inférieure du guide-chaîne et un mouvement arrière lors de coupe avec la partie supérieure du guide-chaîne.
- Ne pas trop se pencher.
- Conserver son équilibre en tout temps.
- Ne pas laisser l'extrémité du guide-chaîne frapper un billot, une branche, le sol ou tout autre obstruction.
- Ne pas couper au-dessus de la hauteur des épaules.
- Utiliser des dispositifs comme des chaînes et des guides-chaîne à faible effet de rebond pour réduire les risques associés à l'effet de rebond.
- Utiliser uniquement des guides-chaîne et des chaînes de rechange précisés par le fabricant ou son équivalent.
- Ne pas mettre en contact la chaîne et tout objet se trouvant à l'extrémité du guide-chaîne.
- Tenir la zone de travail dégagée et exempte d'obstructions comme d'autres arbres, branches, roches, clôtures, souches, etc. Éliminer ou éviter toute obstruction que la scie à chaîne pourrait frapper lors d'une coupe d'un billot ou d'une branche en particulier.
- Maintenir la chaîne de la scie bien affûtée et tendue correctement. Une chaîne lâche ou émoussée peut augmenter le risque d'effet de rebond. Vérifier la tension à intervalles réguliers, avec le moteur hors tension et sans le bloc-piles, jamais avec le moteur en marche.
- Commencer et poursuivre la coupe uniquement lorsque la chaîne fonctionne à plein régime. Si la chaîne tourne à un régime plus lent, le risque d'un effet de rebond est plus élevé.
- Tronçonner un seul billot à la fois.
- Faire très attention lorsque vous recommencez à scier à partir d'une entaille déjà entamée. Appuyer les butées cannelées contre le tronc et laisser la chaîne atteindre son plein régime avant de poursuivre la coupe.
- Ne pas essayer de coupes en plongée ou le perçage de trous.
- Prendre garde au déplacement des billots ou à d'autres forces qui pourraient faire refermer une entaille et pincer la chaîne ou qui pourraient tomber sur celle-ci.

Directives de sécurité concernant l'effet de rebond.

⚠ AVERTISSEMENT : La scie à chaîne est dotée des caractéristiques suivantes afin d'aider à réduire les risques liés à l'effet de rebond; toutefois, ces caractéristiques n'élimineront pas totalement cette dangereuse réaction. En tant qu'utilisateur de scie à chaîne, ne pas se fier uniquement aux dispositifs de sécurité. Vous devez respecter toutes les précautions, directives et consignes d'entretien et de sécurité contenues dans ce manuel afin d'essayer d'éviter l'effet de rebond et autres forces qui pourraient entraîner de graves blessures.

- **Frein de chaîne**, conçu pour éteindre immédiatement la scie à chaîne si le rebond est trop grand.
- **Guide-chaîne rebond**, conçu avec une extrémité de faible rayon qui réduit la taille de la zone dangereuse d'effet de rebond sur l'extrémité de la barre. Un guide-chaîne de rebond est l'un des dispositifs qui réduit de manière significative le nombre et l'ampleur des effets de rebond lors d'essais en conformité avec les exigences de sécurité pour les scies à chaîne électriques ISO 9518: 1998.
- **Chaîne à effet de rebond**, conçue avec un guide de profondeur profilé et un lien de pare-main qui dévie la force de l'effet de rebond et permet à la chaîne de s'enfoncer progressivement dans le bois. Une chaîne à faible effet de rebond est une chaîne conforme aux exigences de performance ISO 9518: 1998.
- **Ne pas utiliser la scie à chaîne lorsque vous êtes dans un arbre, sur une échelle ou un échafaudage ou sur toute autre surface instable.**
- **Tenir l'outil par sa surface de prise isolée dans une situation où l'outil de coupe peut entrer en contact avec un câblage dissimulé.** Tout contact avec un fil « sous tension » mettra « sous tension » les pièces métalliques exposées de l'outil et électrocutera l'opérateur.
- **Ne pas effectuer d'opérations au-delà de sa capacité ou de son expérience.** Lire attentivement et comprendre parfaitement les directives de ce mode d'emploi.
- **Avant de démarrer la scie à chaîne**, s'assurer que la chaîne est dégagée, sans aucun contact avec des objets.
- **Ne pas utiliser la scie à chaîne d'une seule main! Une telle pratique risque de blesser gravement l'opérateur, les aides ou les curieux.** Une scie à chaîne est conçue uniquement pour une utilisation à deux mains.

- **Garder les poignées sèches, propres et exemptes d'huile ou de graisse.**
- **Ne pas laisser la saleté, les débris ou la sciure s'accumuler sur le moteur ou les événements externes.**
- **Arrêter la scie à chaîne avant de la déposer sur le sol.**
- **Ne pas couper de vignes, de petites broussailles ou du sous-bois.**
- **Être extrêmement prudent lors de la coupe de broussailles ou de jeunes arbres**, car les branches élançées peuvent se coincer dans la chaîne et être projetées vers vous ou vous déséquilibrer.

⚠ AVERTISSEMENT : Certains outils électriques, tels que les sableuses, les scies, les meules, les perceuses ou certains autres outils de construction, peuvent produire de la poussière contenant des produits chimiques reconnus par l'État de la Californie comme étant susceptibles d'entraîner le cancer, des malformations congénitales ou pouvant être nocifs pour le système reproductif. Parmi ces produits chimiques, on retrouve :

- le plomb contenu dans les peintures à base de plomb,
- la silice cristalline de la brique, du ciment et d'autres produits de maçonnerie, et
- l'arsenic et chrome provenant de bois traité chimiquement

Les risques reliés à l'exposition à ces poussières varient selon la fréquence à laquelle l'utilisateur travaille avec ce type de matériaux. Pour réduire l'exposition à ces produits chimiques, travailler dans un endroit bien ventilé et porter un équipement de sécurité approuvé comme un masque antipoussières conçu spécialement pour filtrer les particules microscopiques.

- **Éviter le contact prolongé avec les poussières produites par les activités de ponçage, sciage, meulage, perçage et autres activités de construction. Porter des vêtements de protection et laver les parties du corps exposées avec une solution d'eau et de savon.** Laisser la poussière pénétrer dans la bouche et les yeux ou la laisser reposer sur la peau, pourrait promouvoir l'absorption de produits chimiques nocifs.

⚠ AVERTISSEMENT : Utilisation de cet outil peut générer ou déboucher de poussière, ce qui peut causer des blessures graves et permanentes respiratoires ou autres. Toujours utiliser une protection respiratoire approuvé par NIOSH/OSHA approprié pour l'exposition à la poussière. Particules directs loin du visage et du corps.

Entreposage, transport et élimination



ENTREPOSAGE DE LA TRONÇONNEUSE

- Débranchez la tronçonneuse.
- Vérifiez que le câble n'est pas coupé ou endommagé.
- Nettoyez minutieusement la tronçonneuse.
- Installez le couvercle du guide-chaîne.
- Entrez dans un endroit sec.
- Tenez-le hors de portée des enfants ou des animaux.
- Il est normal qu'une petite quantité d'huile s'écoule du guide-chaîne lorsque la tronçonneuse n'est pas utilisée. Afin de vous protéger contre ces fuites, installez le couvercle du guide-chaîne et mettez un tissu absorbant sous le guide.

TRANSPORT DE LA TRONÇONNEUSE

Les outils peuvent bouger pendant le transport. Assurez-vous que l'outil est sécurisé et qu'il ne peut ni tomber ni entrer en contact avec des personnes ou des biens.






















- Débranchez la tronçonneuse.
- Installez le guide-chaîne.
- Si vous le voulez, purgez l'huile de la barre et de la chaîne pour limiter les fuites.

ÉLIMINATION DE LA TRONÇONNEUSE

Ce produit Oregon® est conçu et fabriqué avec des matériaux et des composants de haute qualité qui peuvent être recyclés et réutilisés. Veuillez vous débarrasser de cet équipement en respectant l'environnement, dans un centre de collecte/recyclage des déchets local.

Symboles et étiquettes

Ces symboles et étiquettes apparaissent sur la tronçonneuse et/ou dans le présent manuel.

SYMBOLE	DÉSIGNATION	EXPLICATION
	Construction de classe II	Outils de construction désignés comme doublement isolés
	Symbole d'alerte de sécurité	Signifie que le texte qui suit explique un danger, un avertissement ou une mise en garde.
	Lisez les instructions	Le manuel d'instructions original comporte d'importantes informations sur la sécurité et le fonctionnement. Lisez et suivez attentivement les instructions.
	Lunettes de protection	Portez des lunettes de protection lorsque vous utilisez la tronçonneuse.
	Portez une protection pour les oreilles	Portez une protection pour les oreilles lorsque vous utilisez la tronçonneuse.
	Protection pour les mains	Portez des gants lorsque vous utilisez la tronçonneuse et lorsque vous manipulez la chaîne de tronçonneuse.
	Portez une protection pour la tête	Portez une protection pour la tête lorsque vous utilisez la tronçonneuse.
	Porter un pantalon	Portez un pantalon lorsque vous utilisez la tronçonneuse.
	Chaussures de protection	Portez des chaussures de travail fermées appropriées lorsque vous utilisez la tronçonneuse.
	Attention à l'effet de rebond	 Danger: L'effet de rebond peut provoquer de graves blessures.
	Contact avec l'extrémité de la barre	Évitez tout contact avec l'extrémité de la barre.
	Angle d'effet de rebond de la tronçonneuse	Conçu pour une utilisation avec une chaîne de tronçonneuse à faible effet de rebond.
	Tenue à deux mains	Tenez la tronçonneuse avec les deux mains.
	Tenue à une main	Ne tenez pas la tronçonneuse avec une seule main.
	Ne pas utiliser une échelle	Ne vous tenez jamais sur une échelle lorsque vous utilisez la tronçonneuse.
	Ne pas jeter	Ne pas jeter dans les ordures ménagères. L'apporter dans un centre de recyclage agréé.
	Protéger de la pluie	N'utilisez pas la tronçonneuse dans des conditions d'humidité.
	Câble endommagé	Vérifiez régulièrement que le câble d'alimentation n'a pas subi de dommages. Retirez immédiatement la fiche du secteur si le câble est endommagé ou coupé.
	Outil de coupe	Outil de coupe. Ne touchez pas la chaîne sans avoir d'abord désactivé la tronçonneuse en la débranchant.
	Risque de chute	Connaissez l'emplacement du câble à tout moment.
	Débrancher avant l'entretien	Débranchez avant d'effectuer toute opération d'entretien.

Noms et termes relatifs à la tronçonneuse

Collet d'alignement : saillie sur la plaque du coussinet qui s'intègre dans l'encoche du guide.

Burette à huile automatique : système qui lubrifie automatiquement le guide-chaîne et la chaîne de la tronçonneuse.

Plaque du coussinet : support de montage situé sur la tête motrice qui permet d'assurer l'alignement adéquat du guide-chaîne.

Encoche du guide : partie découpée du guide-chaîne qui s'ajuste sur le collet d'alignement et le goujon de montage.

Zone de sécurité pour les personnes à proximité : cercle de 6 m (20 pi) autour de l'utilisateur qui ne doit inclure aucun(e) personne, enfant ou animal à proximité.

Attrape-chaîne : dispositif qui sert à retenir la chaîne de tronçonneuse si elle casse ou déraile.

Calibre de chaîne : épaisseur du maillon d'entraînement de la chaîne de tronçonneuse, là où il s'insère dans la rainure de barre, déterminée par la référence de pièce indiquée sur les maillons d'entraînement.

Pas de chaîne : distance entre trois rivets consécutifs sur la chaîne de tronçonneuse divisée par deux, déterminée par la référence de pièce indiquée sur les maillons d'entraînement.

Tête motrice de la tronçonneuse : tronçonneuse sans chaîne ni guide-chaîne.

Molette de tension de la chaîne : Molette sur le panneau latéral qui, lorsque vous la tournez, règle la tension de la chaîne de tronçonneuse.

Maillon d'entraînement : maillon de la chaîne de tronçonneuse en forme d'aïeron qui s'engage dans la rainure sur le guide-chaîne.

Pignon d'entraînement : partie crantée qui conduit la chaîne de la tronçonneuse.

Longueur de coupe effective : distance approximative entre la base de la griffe d'abattage et le bord extérieur du maillon de coupe avec le tendeur réglé en position centrale.

Trait d'abattage : dernière entaille lors du processus d'abattage pratiquée sur le côté opposé à l'entaille d'abattage sur le tronc d'un arbre.

Poignée avant : poignée d'appui située à l'avant ou vers l'avant de la tronçonneuse et prévue pour une prise par la main gauche.

Protège-main : barrière structurelle entre la poignée avant d'une tronçonneuse et le guide-chaîne.

Guide-chaîne : structure sur rail qui supporte et guide la chaîne de la tronçonneuse. Appelé parfois « guide ».

Couvercle du guide-chaîne : couvercle en plastique qui protège le guide-chaîne et la chaîne de tronçonneuse lorsque la tronçonneuse n'est pas utilisée.

Effet de rebond : mouvement rapide vertical et/ou arrière du guide-chaîne qui se produit lorsque la chaîne située près de l'extrémité supérieure du guide-chaîne frappe un objet comme un billot ou une branche, ou lorsque la chaîne est prise dans une entaille du tronc.

Chaîne à faible effet de rebond : chaîne conforme aux exigences de performance d'effet de rebond faible des normes ANSI B175.1 et CSA Z62.3.

Boîtier du moteur : couvercle en plastique de la tête motrice de la tronçonneuse.

Goujon de montage : saillie filetée sur le collet d'alignement qui s'étend à travers l'encoche du guide.

Entaille d'abattage : entaille dans le tronc pour diriger la chute de l'arbre.

Poignée arrière : poignée d'appui située à l'arrière ou vers l'arrière de la tronçonneuse et prévue pour une prise par la main droite.

Protège-main arrière : barrière structurelle située dans la partie inférieure droite de la poignée arrière pour protéger l'utilisateur en cas de rupture ou de déraillement de la chaîne de tronçonneuse.

Guide-chaîne à effet de rebond réduit : guide-chaîne avec un rayon maximal tel qu'indiqué dans les normes ANSI B175.1 et CSA Z62.3 et qui sert à réduire de façon significative l'effet de rebond.

Chaîne de tronçonneuse : chaîne dentelée en boucle, qui coupe le bois, entraînée par la tête motrice et soutenue par le guide-chaîne. Appelé parfois « chaîne ».

Panneau latéral : couvercle en plastique sur la tête motrice qui couvre le pignon d'entraînement et le dispositif de serrage de la chaîne qui est retiré et installé avec le bouton de déverrouillage du panneau latéral.

Patte du panneau latéral : La saillie sur le panneau latéral qui se loge dans une fente de la tête motrice. Utilisez-la pour aligner correctement le panneau latéral pendant l'installation.

Griffe d'abattage : dispositif installé à l'avant de la tronçonneuse qui sert de point d'articulation lorsqu'il est en contact avec un arbre ou une bûche afin de faciliter la coupe. Également appelée « crampons pointus ».

Support de décharge de traction : crochet sur la poignée arrière auquel se fixe la rallonge pour protéger le câble et empêcher la déconnexion pendant l'utilisation.

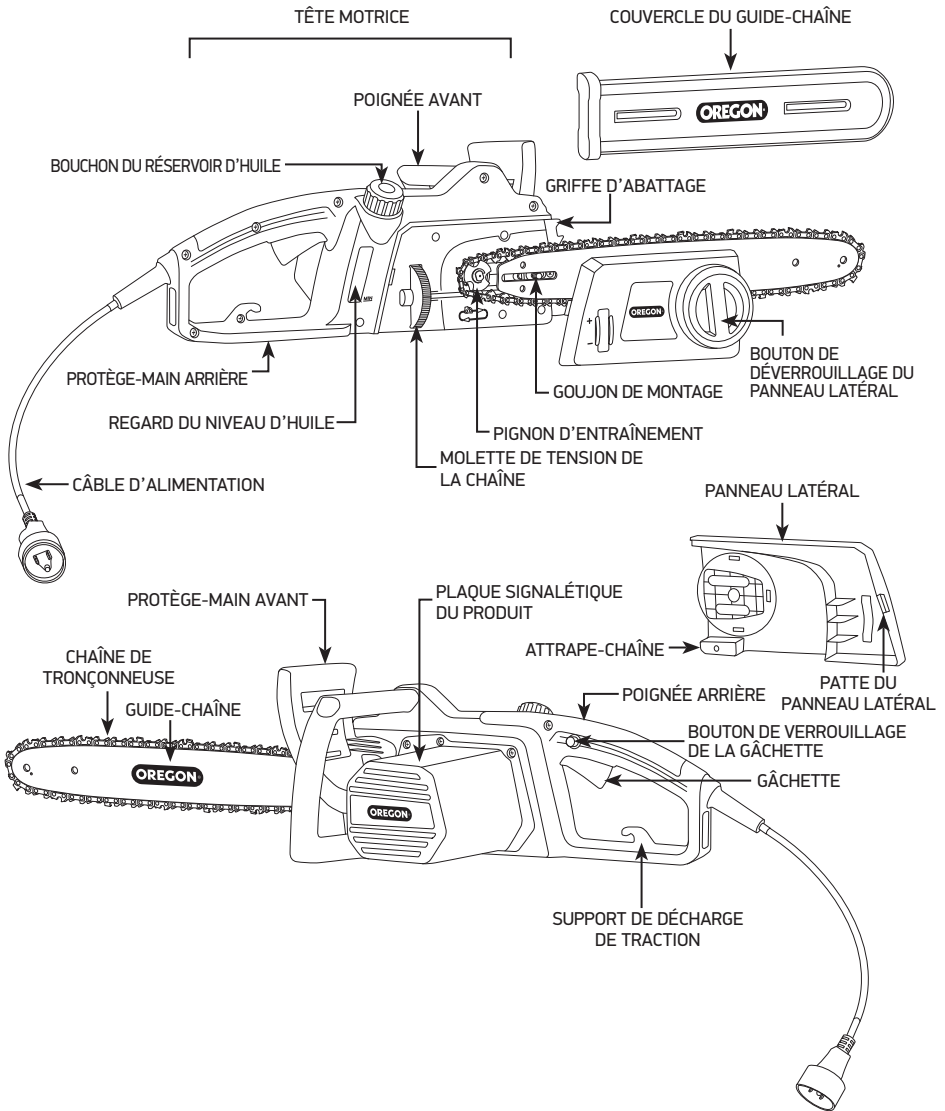
Bouton de verrouillage de la gâchette : arrêt mobile qui évite un fonctionnement non voulu de l'interrupteur de la gâchette, jusqu'à ce qu'il soit activé manuellement.

Interrupteur de la gâchette : un dispositif qui sert à allumer et à éteindre la tronçonneuse.

Pièces usées : pièces telles que la chaîne de tronçonneuse et le guide-chaîne qui peuvent s'user pendant leur utilisation et être remplacées par l'utilisateur.

Identification du produit

Connaître la tronçonneuse



Remarque : voir la section « Préparation avant utilisation » pour une liste des articles inclus.

Préparation avant utilisation

⚠ DANGER : pour éviter les blessures corporelles graves, n'utilisez la tronçonneuse qu'avec le guide-chaîne, la chaîne et le panneau latéral correctement assemblés.

⚠ AVERTISSEMENT : n'essayez pas de faire fonctionner la tronçonneuse si une pièce est endommagée ou manquante.

⚠ AVERTISSEMENT : un outil électrique branché peut démarrer de façon accidentelle. Débranchez la tronçonneuse avant de la préparer pour une utilisation ou avant l'entretien.

Contenu de la boîte

La tronçonneuse est livrée avec les éléments suivants :

- Tête motrice de la tronçonneuse
- Chaîne de tronçonneuse et guide-chaîne
- Couvreclle du guide-chaîne

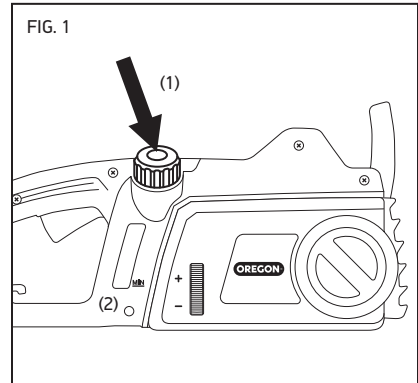
Après avoir déballé la tronçonneuse, inspectez-la avec soin afin de vous assurer qu'elle n'a pas été endommagée pendant le transport et qu'aucune pièce ne manque. Si des pièces sont manquantes ou endommagées, n'utilisez pas la tronçonneuse. Contactez Oregon® pour obtenir des pièces de rechange. Pour connaître les numéros de téléphone propres à chaque pays, consultez la section « Service après-vente par pays ».

Remplissage du réservoir d'huile du guide et de la chaîne

IMPORTANT : l'huile du guide et de la chaîne sert à éviter l'usure prématurée. Ne faites jamais fonctionner la tronçonneuse si l'huile n'est pas visible à travers le regard. Vérifiez souvent le niveau d'huile et remettez-en si nécessaire.

Il est nécessaire de lubrifier correctement le guide et la chaîne avec de l'huile adaptée. La tronçonneuse est dotée d'un graisseur automatique qui graisse le guide et la chaîne lorsque la tronçonneuse tourne pour qu'ils soient correctement lubrifiés. Pour de meilleurs résultats, utilisez l'huile pour barre et chaîne Oregon®. Elle a été spécialement conçue pour réduire les frictions et accélérer les coupes. N'utilisez JAMAIS d'huile ou d'autre lubrifiant n'ayant pas été spécialement conçu pour la barre et la chaîne. Cela peut entraîner une coagulation de l'huile dans le système, ce qui peut user prématurément le guide et la chaîne.

Posez la tronçonneuse sur une surface plate et solide, afin que le bouchon d'huile (1) soit sur le dessus (Fig. 1).



- Enlevez tous les débris autour du bouchon.
- Enlevez le bouchon.
- Versez doucement de l'huile pour guide et chaîne dans le réservoir.
- Remettez le bouchon en place et vérifiez que l'huile est visible dans le réservoir (2).

Utilisation de la tronçonneuse



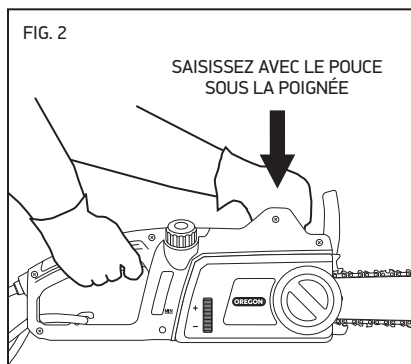
Utilisation générale

⚠ DANGER : pour éviter les blessures corporelles graves, ne vous penchez pas trop en avant et ne vous tenez pas sur une échelle, un escabeau ou dans une position élevée qui n'est pas complètement sécurisée. Ne découpez jamais à une hauteur qui dépasse votre épaule.

⚠ AVERTISSEMENT : pour réduire le risque de blessure, portez toujours des chaussures, des gants et des protections pour la tête, les oreilles et les yeux adéquats.

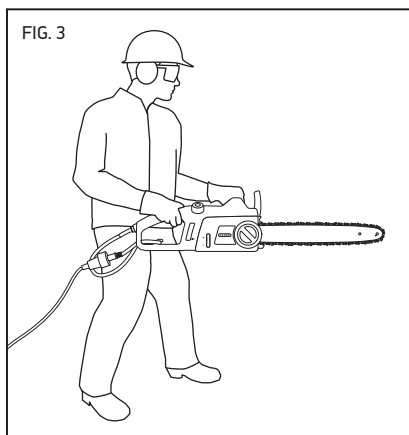
PRISE EN MAIN

Prenez toujours l'outil avec les deux mains. Attrapez la poignée avant avec la main gauche et la poignée arrière avec la main droite (Fig. 2). Entourez la poignée avant de vos doigts, le pouce étant placé en dessous.



POSITION

Tenez-vous debout, les pieds posés sur un sol ferme, votre poids également réparti sur chaque pied (Fig. 3).



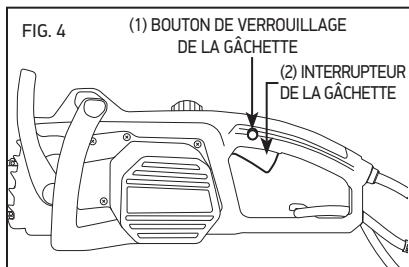
ARRÊT DE LA TRONÇONNEUSE

Relâchez l'interrupteur de la gâchette pour arrêter la tronçonneuse.

DÉMARRAGE DE LA TRONÇONNEUSE

⚠ AVERTISSEMENT : pour réduire le risque de blessure, ne forcez jamais le mécanisme de verrouillage en scotchant, attachant ou arrimant le bouton de verrouillage de la gâchette.

Attrapez fermement les poignées avant et arrière. Appuyez et maintenez enfoncé le bouton de verrouillage de la gâchette avec le pouce (1). Pour démarrer la tronçonneuse, appuyez sur l'interrupteur de la gâchette (2) (Fig. 4). Il n'est pas nécessaire de continuer à appuyer sur le bouton de verrouillage de la gâchette. Il restera désengagé tant que la gâchette sera relâchée.



Utilisation et entretien du câble d'alimentation

CHOIX D'UNE RALLONGE

Choisissez une rallonge qui soit :

- explicitement indiquée comme conçue pour un usage extérieur
- de calibre (AWG) suffisant pour acheminer le courant sur toute la longueur du câble, conformément au tableau ci-dessous

Choisissez le calibre de la rallonge en fonction de la longueur souhaitée et des caractéristiques électriques indiquées sur l'étiquette du produit.

Voici les calibres recommandés en fonction de la longueur du câble.

LONGUEUR DU CÂBLE (m)	CALIBRE MINIMAL
De 0 à 15	14 AWG (1,5 mm ²)
De 16 à 30	12 AWG (3,0 mm ²)

Assurez-vous que l'isolation ne comporte pas de craquelure et que les fiches de chaque extrémité ne sont pas endommagées.

UTILISATION DU SUPPORT DE DÉCHARGE DE TRACTION

Il est important d'utiliser le support de décharge de traction pour deux raisons :

- il permet de réduire l'usure du câble d'alimentation et de la rallonge ainsi que de leurs fiches ;
- il empêche la tronçonneuse de se débrancher accidentellement de la rallonge.

Pour utiliser le support de décharge de traction, pliez la rallonge en forme de U et faites-la passer dans le trou de la poignée arrière. Faites glisser la boucle du câble au-dessus du crochet et tirez doucement jusqu'à bien l'ajuster (Fig. 5).

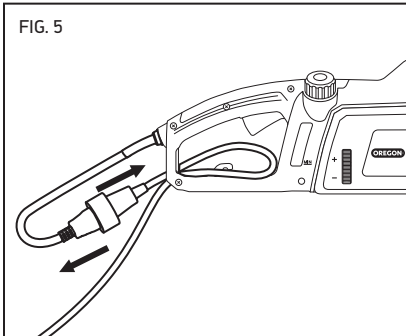


FIG. 5

Découpage

⚠ AVERTISSEMENT : pour réduire le risque de blessure, portez des bottes, des gants et des protections pour la tête, les oreilles et les yeux adéquats.

⚠ AVERTISSEMENT : pour réduire le risque d'électrocution, assurez-vous que l'isolation du câble est intacte et que le câble est au sec et ne risque pas d'être coupé ou d'être dans le passage.

⚠ AVERTISSEMENT : pour réduire le risque de blessure, assurez-vous d'être toujours stable et de tenir fermement la tronçonneuse avec les deux mains lorsque le moteur tourne.

⚠ AVERTISSEMENT : pour réduire le risque de blessure, soyez prévoyant et préparez plusieurs voies de retrait avant de commencer à travailler.

⚠ MISE EN GARDE : établissez une zone de sécurité de 6 m (20 pi) pour les personnes à proximité avant d'utiliser cet équipement. Cette zone de sécurité est un cercle d'au moins 6 m (20 pi) autour de l'utilisateur qui ne doit inclure aucune personne, aucun enfant, ni aucun animal (Fig. 6). Les opérations d'abattage exigent une zone de sécurité plus grande en fonction de la taille de l'arbre, consultez la section « Abattage d'un arbre ».

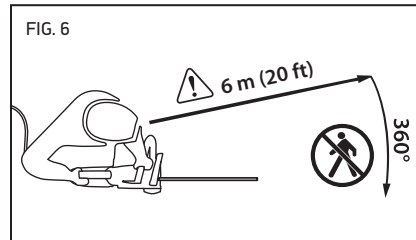


FIG. 6

IMPORTANT : exercez-vous à couper des billes sur un chevalet ou un berceau de sciage jusqu'à vous familiariser avec le fonctionnement de la tronçonneuse.

Pour obtenir les meilleures performances et manier la tronçonneuse en toute sécurité, suivez ces instructions :

- Respectez l'ensemble des règles et réglementations nationales et municipales applicables relatives à la coupe ;
- Faites régulièrement des pauses pour réduire le risque de blessure ;
- Avant de commencer la coupe, assurez-vous que la chaîne de la tronçonneuse est bien tendue et affûtée.

Les chaînes de tronçonneuse sont prévues pour couper du bois uniquement. N'utilisez pas la tronçonneuse pour couper une autre matière et ne laissez pas la chaîne entrer en contact avec de la saleté, des pierres, des clous, des agrafes ou des câbles. Ces matériaux sont extrêmement abrasifs et abîmeront très rapidement le revêtement protecteur de la chaîne.

Affûtez ou remplacez la chaîne de la tronçonneuse si :

- La pression nécessaire à la coupe augmente de façon significative ;
- Les copeaux de bois qui sortent de la chaîne sont très fins ou semblables à de la sciure.

Ne travaillez pas avec une chaîne émoussée, car cela provoque une augmentation de l'effort nécessaire à la coupe, une coupe irrégulière et un risque accru d'effet de rebond. Ne forcez jamais une chaîne émoussée à couper.

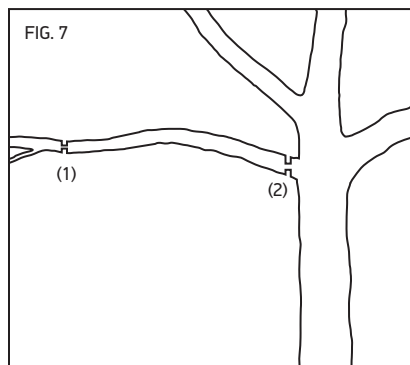
- Vérifiez la bonne adhérence de la poignée et tenez-vous face au bois à couper, tronçonneuse éteinte. Appuyez sur le bouton de verrouillage de la gâchette, puis sur l'interrupteur. Attendez que la chaîne ait atteint sa vitesse maximale avant de commencer la coupe.
- Commencez la coupe en enfonçant légèrement le guide-chaîne contre le bois. N'appuyez que légèrement : laissez la tronçonneuse faire son travail.
- Conservez une vitesse constante durant toute la coupe, puis relâchez la pression juste avant la fin.
- Sachez toujours où se trouve le câble d'alimentation pour ne pas risquer de trébucher dessus ou de le couper.
- Sachez toujours où se trouve l'extrémité du guide et évitez tout contact avec d'autres objets.
- Si la tronçonneuse s'arrête brusquement pendant la coupe, retirez-la du morceau de bois, puis reprenez la coupe en exerçant une pression plus légère.

ÉLAGAGE

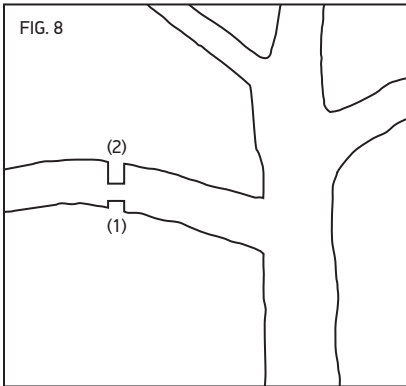
⚠ MISE EN GARDE : les branches qui tombent peuvent rebondir ou se redresser après avoir touché le sol, il est donc indispensable de garder le terrain déblayé pour laisser plusieurs voies de retrait. Déblayez l'espace de travail et portez une protection pour la tête.

L'élagage consiste à retirer les branches mortes ou trop développées pour entretenir la bonne santé de la plante.

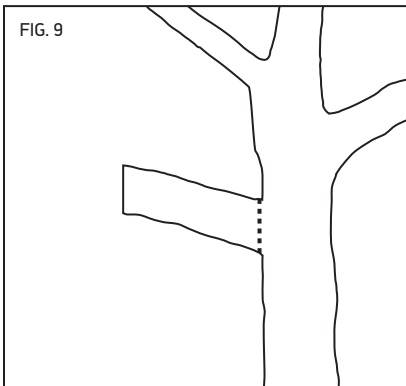
- Prévoyez des voies de retrait avant de commencer la coupe et assurez-vous qu'il n'y a pas d'obstacle. Sachez toujours comment vous éloigner du point de chute des branches.
- Assurez-vous que les personnes à proximité et les aides sont à une distance suffisante du point de chute des branches. Les personnes à proximité et les aides ne doivent jamais se tenir directement devant ou derrière l'utilisateur. Consultez la Fig. 6.
- Restez toujours stable et tenez fermement la tronçonneuse avec les deux mains. Ne vous penchez pas trop en avant. Ne montez jamais sur un arbre ou sur une échelle pour atteindre les branches hautes.
- Sécurisez les branches pouvant être dangereuses.
- Utilisez un équipement auxiliaire adapté.
- Élaguez les branches les plus basses avant de passer à de plus hautes.
- Laissez la chaîne atteindre la pleine vitesse avant de commencer la coupe.
- Appliquez une pression légère sur la branche.
- Pour les branches longues (Fig. 7), coupez d'abord l'extrémité de la branche (1) pour réduire sa pression, puis élaguez-la plus près du tronc (2).



- Les branches épaisses (de plus de 10 cm [4 po] de diamètre) peuvent provoquer des éclats ou pincer la chaîne si elles sont coupées en une seule fois par le haut. Pour l'éviter, coupez d'abord légèrement le bas de la branche pour réduire la pression (1), puis coupez entièrement la branche en partant du haut (2) jusqu'à rejoindre l'entaille du bas (Fig. 8).

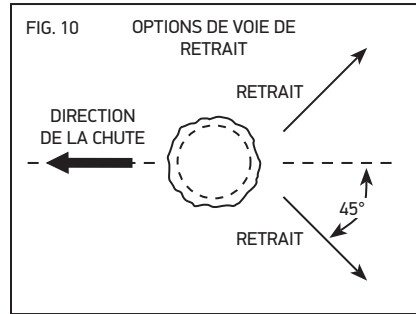


- Après avoir coupé la plus grande partie de la branche, tronçonnez-la d'une coupe régulière près du tronc (Fig. 9).



ABATTAGE D'UN ARBRE

⚠ MISE EN GARDE : un arbre est susceptible de rouler ou de glisser le long d'une pente après avoir été abattu. Prévoyez et débroyez une voie de retrait avant de commencer la coupe. La voie de retrait doit se prolonger en arrière et en diagonale derrière la ligne de chute prévue (Fig. 10).

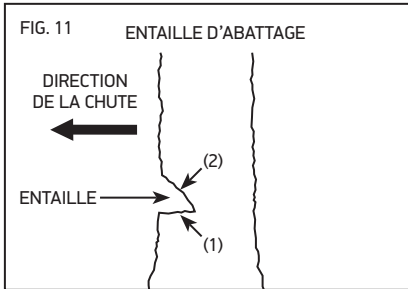


L'abattage consiste à faire tomber un arbre.

- Avant l'abattage, observez le penchant naturel de l'arbre, l'emplacement de grandes branches et la direction du vent pour évaluer la ligne de chute de l'arbre.
- Retirez la saleté, les roches, les morceaux d'écorce détachés, les clous, agrafes et fils métalliques de l'arbre avant de débiter la coupe.
- Lorsque les opérations de tronçonnage et d'abattage sont exécutées par deux ou plusieurs personnes simultanément, le tronçonnage doit être effectué à une distance d'au moins deux fois la hauteur de l'arbre à abattre.
- On ne doit pas tronçonner d'arbre de sorte à mettre la vie d'une personne en danger, de frapper des fils du réseau électrique ou de provoquer des dommages aux biens. Si l'arbre touche un fil du réseau électrique, quittez immédiatement les lieux et avertissez l'entreprise du réseau.
- Utilisez les crampons de métal à l'avant de la tronçonneuse pour la maintenir sur le bois. Placez les crampons de métal dans le bois et utilisez-les comme points de levier pour renforcer la stabilité lors de la coupe de bois de diamètre important.

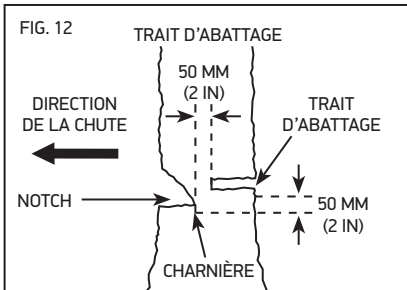
Entaille d'abattage

- Entaillez d'abord le tronc sur un tiers de son diamètre, perpendiculairement à la direction de la chute. Commencez par l'entaille horizontale inférieure (1). Cela permettra d'éviter tout pincement de la chaîne de la tronçonneuse ou du guide-chaîne lorsque la seconde entaille (2) sera effectuée (Fig. 11).



Trait d'abattage

- Effectuez ensuite le trait d'abattage au moins 50 mm (2 po) au-dessus de l'entaille horizontale (Fig. 12). Gardez le trait d'abattage parallèle à l'entaille horizontale.



- Effectuez le trait d'abattage de sorte qu'il y ait assez de bois pour servir de charnière. Cette charnière naturelle empêche l'arbre de se tordre et de tomber dans la mauvaise direction. Ne la découpez pas de part en part.
- Dès que le trait d'abattage se rapproche de la charnière naturelle, l'arbre devrait amorcer sa chute.

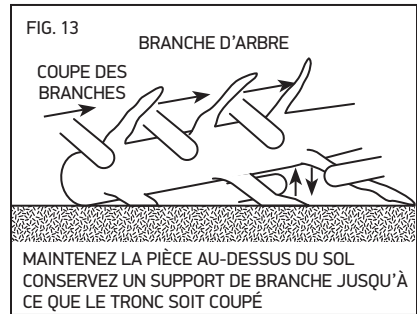
- S'il y a un risque que l'arbre ne tombe pas dans la direction souhaitée ou qu'il roule en arrière et coince la tronçonneuse, arrêtez la coupe avant de terminer le trait d'abattage et utilisez des coins en bois, en plastique ou en aluminium pour ouvrir l'entaille et faire basculer l'arbre le long de la ligne de chute souhaitée.
- Lorsque l'arbre commence sa chute, retirez la tronçonneuse du trait, arrêtez le moteur et déposez-la sur le sol, puis reculez dans la voie de retrait prévue.
- Faites attention aux chutes de branches et regardez où vous marchez.

ÉBRANCHEMENT D'UN ARBRE

⚠ MISE EN GARDE : les branches sous tension peuvent se redresser et heurter l'utilisateur ou lui faire perdre le contrôle de la tronçonneuse et provoquer des blessures. Faites toujours attention aux branches sous tension qui peuvent heurter l'utilisateur ou la tronçonneuse lors de leur coupe.

L'ébranchage est la coupe des branches d'un arbre abattu.

- Pour ce faire, conservez intactes les branches maîtresses inférieures pour supporter le billot au-dessus du sol.
- Retirez les petites branches d'un seul mouvement.
- Les branches sous tension doivent être coupées depuis le bas pour éviter de coincer la tronçonneuse (Fig. 13).

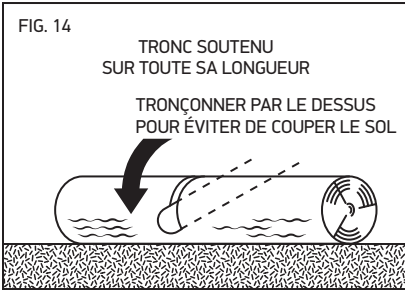


TRONÇONNER UN TRONC

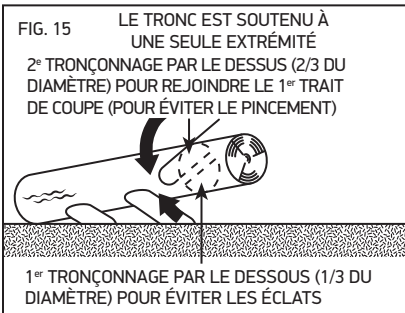
⚠ MISE EN GARDE : le tronçonnage de troncs sous tension augmente le risque de rebond. Utilisez l'une des méthodes suivantes pour soutenir le tronc lors de son tronçonnage.

Le tronçonnage consiste à débiter un tronc en morceaux. Il est important de vous assurer un bon équilibre et de veiller à ce que votre poids soit également réparti sur vos deux pieds. Si possible, le tronc doit être surélevé et soutenu par des branches, des troncs ou des cales.

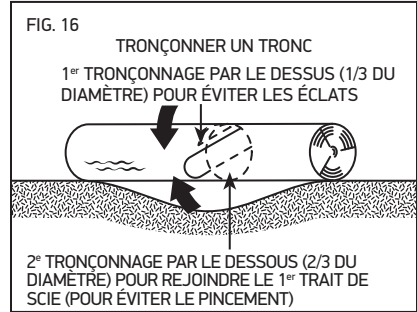
- Lorsque le tronc est soutenu sur toute sa longueur, coupez-le depuis le haut (tronçonnage par le dessus) (Fig. 14).



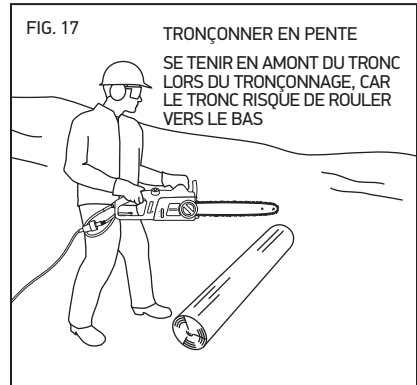
- Lorsque la bille est soutenue à l'une de ses extrémités, faites une entaille du tiers de son diamètre par le bas (tronçonnage par le dessous), puis terminez la coupe en tronçonnant par le dessus jusqu'à la première entaille (Fig. 15).



- Lorsque le tronc est soutenu aux deux extrémités, tronçonnez un tiers de son diamètre par le dessus, puis terminez la coupe en tronçonnant par le dessous les deux tiers restants jusqu'à rejoindre la première entaille (Fig. 16).



- Si vous utilisez la tronçonneuse sur un terrain en pente, tenez-vous toujours en amont du tronc (Fig. 17).



- Pour conserver un parfait contrôle lors de la coupe, relâchez la pression près de la fin du tronçonnage, sans toutefois relâcher la prise sur les poignées de la tronçonneuse.
- Ne laissez pas la chaîne toucher le sol.
- Une fois la coupe terminée, attendez l'immobilisation complète de la chaîne avant de déplacer la tronçonneuse.
- Arrêtez toujours le moteur avant de vous déplacer vers un autre arbre.

Entretien et nettoyage



⚠ AVERTISSEMENT : ne pas identifier et remplacer les pièces endommagées ou usées peut entraîner de graves blessures corporelles. Inspectez régulièrement la tronçonneuse. Une inspection régulière est la première étape d'un entretien correct. Suivez les consignes ci-dessous pour garantir un niveau de sécurité et de satisfaction optimal. Remplacez immédiatement toute pièce endommagée ou présentant une usure excessive.

⚠ AVERTISSEMENT : un outil électrique branché peut démarrer de façon accidentelle. Débranchez la tronçonneuse avant de la préparer pour une utilisation ou avant l'entretien.

⚠ MISE EN GARDE : lorsque vous nettoyez la tronçonneuse, ne la plongez pas dans l'eau ni dans un autre liquide.

Inspection

Avant chaque utilisation et si la tronçonneuse est tombée, inspectez les éléments suivants :

- Câble : vérifiez que la fiche est en bon état, qu'elle n'est ni pliée ni corrodée et que l'isolation est intacte. Si le câble est endommagé, ne l'utilisez pas. Contactez un réparateur agréé.
- Poignées : les poignées avant et arrière ne doivent pas comporter de craquelure ni tout autre défaut. Elles doivent être propres et sèches.
- Protège-main avant : le protège-main ne doit pas être endommagé.
- Guide-chaîne : le guide doit être droit et ne pas être ébréché, fissuré, ni excessivement usé.
- Chaîne de tronçonneuse : la chaîne doit être correctement tendue et aiguisée et aucun composant ne doit présenter de fissures, d'écaillés, de dents cassées ou d'usure excessive. Consultez les sections « Tension de la chaîne de tronçonneuse » et « Affûtage avec PowerSharp ».

- Panneau latéral : le panneau latéral ne doit pas comporter de craquelure ni tout autre défaut. Il doit s'ajuster correctement au corps de la tronçonneuse, sans aucune torsion. Assurez-vous que l'attrape-chaîne ne comporte aucune craquelure.
- Niveau d'huile : vérifiez que le réservoir d'huile est plein avant toute utilisation.
- Boîtier du moteur : vérifiez qu'il n'y a aucune craquelure sur le capot et aucun débris dans les grilles d'aération.

Inspectez périodiquement les éléments suivants :

- Pignon d'entraînement : vérifiez l'absence de rainures profondes, de dents cassées ou de bavures.
- Logement pour le goujon de montage sous le panneau latéral : vérifiez que le goujon de montage du guide-chaîne n'est pas tordu ou dénudé, que le filetage n'est pas faussé et que la plaque du coussinet et le collet d'alignement sont intacts et ne sont pas obstrués par des débris.

Nettoyage

⚠ MISE EN GARDE : lorsque vous nettoyez la tête motrice de la tronçonneuse, ne la plongez pas dans l'eau ni dans un autre liquide.

Portez des gants.

- Débranchez la tronçonneuse.
- Éliminez les copeaux de bois et les autres débris du boîtier du moteur et des événements.
- Nettoyez toujours les copeaux de bois, la sciure et la saleté présents dans la rainure du guide-chaîne lorsque vous remplacez la chaîne.
- Vérifiez que le câble et la fiche sont secs avant de brancher cette dernière sur une prise.

Tension de la chaîne de tronçonneuse



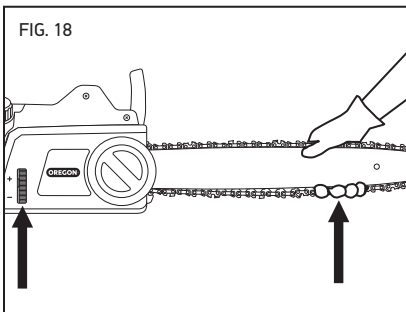
⚠ AVERTISSEMENT : un outil électrique branché peut démarrer de façon accidentelle. Débranchez la tronçonneuse avant de la préparer pour une utilisation ou avant l'entretien.

⚠ AVERTISSEMENT : si la chaîne est toujours lâche lorsque la tronçonneuse est à sa tension maximale, remplacez la chaîne.

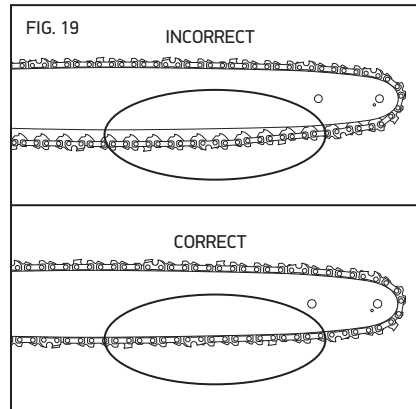
IMPORTANT : tendez la chaîne de tronçonneuse uniquement lorsque la chaîne est froide. Une chaîne encore chaude peut se rétracter et endommager le guide-chaîne ou la chaîne à mesure qu'elle refroidit.

Portez des gants.

- Débranchez la tronçonneuse avant de tendre la chaîne.
- Desserrez légèrement le bouton de déverrouillage du panneau latéral, mais ne retirez pas le panneau latéral.
- Maintenez l'extrémité du guide-chaîne (Fig. 18) puis faites tourner la molette de tension de la chaîne pour serrer.



- Serrez jusqu'à ce que les lames les plus basses sous le guide entrent bien en contact avec le guide (Fig. 19).



- Serrez le bouton de déverrouillage du panneau latéral.
- Tirez légèrement sur la chaîne. La tension est correcte lorsque la chaîne revient à sa position initiale après avoir été écartée de 3 mm du guide-chaîne.
- Après une courte période d'utilisation, laissez la chaîne refroidir, débranchez la tronçonneuse et vérifiez à nouveau la tension. Contrôlez soigneusement la tension pendant la première demi-heure d'utilisation, et régulièrement tout au long de la durée de vie de la chaîne, en la réglant si nécessaire, une fois la chaîne et le guide refroidis. Ne tendez jamais la chaîne quand elle est chaude.

La chaîne se tendra suite à une utilisation normale. Un apport insuffisant en huile, une utilisation agressive ou un défaut d'entretien peut toutefois provoquer un étirement prématuré.

Affûtage de la Chaîne

Il est recommandé de confier l'affûtage de la chaîne à un service technique OREGON®, mais l'opérateur peut aussi s'en charger.

⚠ AVERTISSEMENT : En cas d'affûtage incorrect de la chaîne ou de réglage insatisfaisant des limiteurs de profondeur, le risque de lésion corporelle est plus important. Il faut impérativement affûter la chaîne conformément aux spécifications décrites dans ce manuel.

IMPORTANT : Affûter la chaîne conformément à ces indications permettra de remédier à toute dégradation mineure subie par la chaîne à la suite de contacts avec le sol ou d'événements similaires. Pour réparer des dégâts plus sérieux (tels que ceux subis par suite d'un contact avec une dalle en béton), remplacez la chaîne ou confiez-la à un service technique agréé Oregon®.

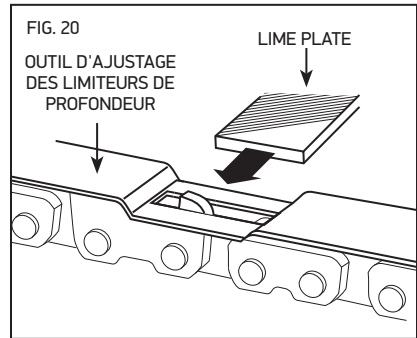
L'affûtage de la chaîne requiert les outils suivants (proposés en kit par Oregon® ; voir « Caractéristiques et composants ») :

- Guide d'affûtage
- Lime d'affûtage ronde de 4 mm (servez-vous exclusivement de limes spécialement conçues pour l'affûtage des chaînes de scie)
- Outil d'ajustage des limiteurs de profondeur à 0,65 mm (0,025 pouce)
- Lime plate

Après avoir rassemblé les outils, équipez-vous de gants et de protections oculaires, puis débranchez la tronçonneuse. Ensuite, limez la chaîne pour en régler les limiteurs de profondeur :

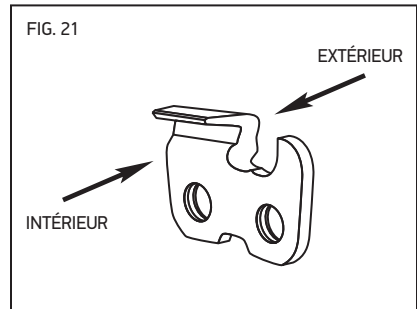
- Desserrez le bouton de fixation du carter latéral, puis déposez ce dernier.
- Desserrez la molette de tension de la chaîne autant que possible.
- Déposez la chaîne.
- Serrez la chaîne dans un étau pour l'immobiliser.
- Placez l'outil d'ajustage des limiteurs de profondeur de telle sorte que l'un d'entre eux passe à travers la fente de l'outil.

- Si le limiteur de profondeur concerné déborde au-delà du haut de la fente, servez-vous d'une lime plate pour travailler le limiteur de profondeur jusqu'à ce qu'il affleure la région supérieure de l'outil (Fig. 20). Abstenez-vous de limer les limiteurs de profondeur au point d'atteindre un niveau inférieur à la valeur d'ajustage des limiteurs de profondeur indiquée dans ce manuel.



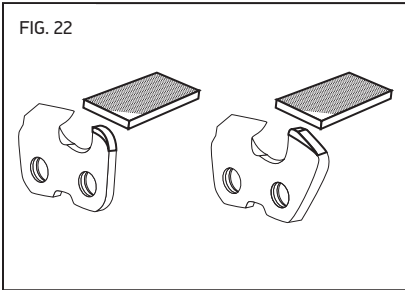
IMPORTANT : Affûtez dans une seule direction, de l'intérieur vers l'extérieur. Abstenez-vous systématiquement d'exécuter un mouvement de va-et-vient lors de l'affûtage.

- Limez en progressant de l'intérieur vers l'extérieur du limiteur de profondeur (Fig. 21).



- Déposez l'outil d'ajustage des limiteurs de profondeur.

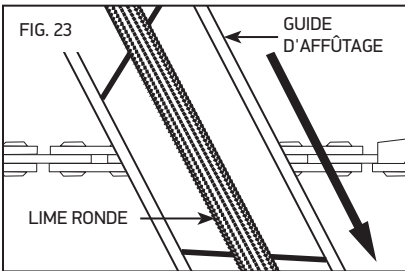
- Après abaissement, limez systématiquement le coin avant de chaque limiteur de profondeur parallèlement à son profil initial arrondi ou incliné (Fig. 22).



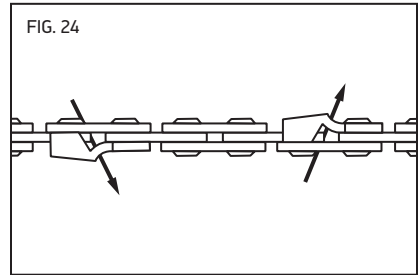
- Répétez la procédure pour chacun des limiteurs de profondeur que comporte la chaîne.

Après avoir ajusté les limiteurs de profondeur, affûtez les gouges :

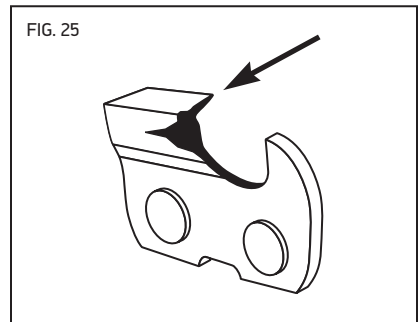
- Placez la lime d'affûtage de la chaîne dans le guide d'affûtage.
- Alignez le guide d'affûtage de telle sorte que l'angle d'attaque frontale approprié et repéré sur le guide d'affûtage soit parallèle à la chaîne (Fig. 23).



- Affûtez d'abord les gouges situées du même côté de la chaîne. Donnez 3 ou 4 coups de lime en progressant de l'intérieur vers l'extérieur de chaque gouge. Appliquez le même nombre de coups de lime sur chaque gouge. Ensuite, retournez la tronçonneuse puis répétez l'opération pour les lames présentes de l'autre côté de la chaîne (Fig. 24).



- Limez toute dégradation que pourraient présenter les flancs latéraux ou supérieurs chromés (Fig. 25).



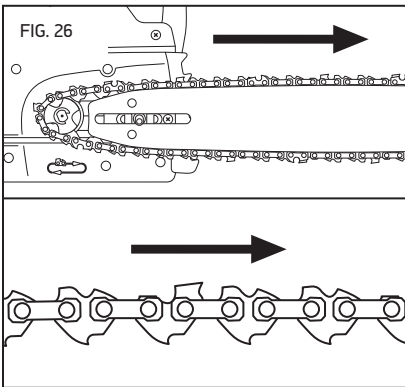
- Veillez à ce que les gouges possèdent une longueur identique.
- Après avoir procédé à l'affûtage de toutes les gouges, servez-vous du guide d'affûtage pour vérifier à nouveau l'ajustement des limiteurs de profondeur. Procédez au besoin à un nouvel ajustage des limiteurs de profondeur.
- Remettez la chaîne et le panneau latéral en place.

Remplacement d'une chaîne usée

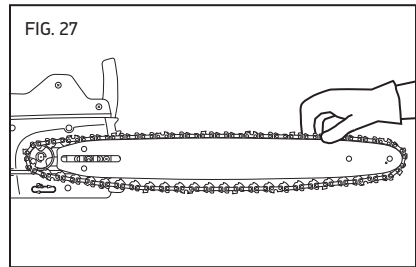
Lorsque la chaîne de la tronçonneuse est fissurée ou comporte des dents cassées, qu'elle est tendue au point qu'elle ne peut être maintenue à une tension correcte ou tout simplement qu'elle ne peut pas être affûtée, elle doit être remplacée.

Portez des gants.

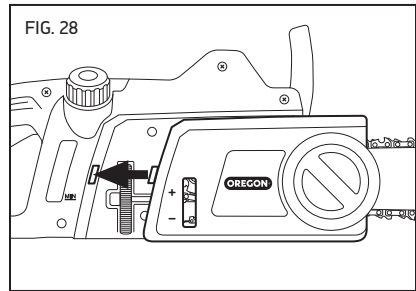
- Débranchez la tronçonneuse.
- Desserrez légèrement le bouton de déverrouillage du panneau latéral, mais ne retirez pas le panneau latéral.
- Desserrez la molette de tension de la chaîne autant que possible.
- Desserrez le bouton de déverrouillage du panneau latéral et retirez le panneau latéral.
- Retirez la chaîne de la tronçonneuse.
- Faites une boucle avec la nouvelle chaîne sur le pignon d'entraînement afin que les bords coupants des dents situées le long de la partie supérieure du guide-chaîne soient dos à la tête motrice (Fig. 26).



- Insérez la chaîne dans la rainure du guide et faites glisser le guide pour l'éloigner du moteur afin de tendre la chaîne (Fig. 27).



- Installez le panneau latéral en veillant à ce que l'attrape-chaîne et le panneau latéral soient correctement positionnés dans leurs emplacements (Fig. 28), puis serrez légèrement le bouton de déverrouillage du panneau latéral.



- Réglez la tension de la chaîne comme décrit à la section « Tension de la chaîne de tronçonneuse ».

IMPORTANT : la chaîne de la tronçonneuse doit être correctement tendue avant toute utilisation. Consultez la section « Tension de la chaîne de tronçonneuse ».

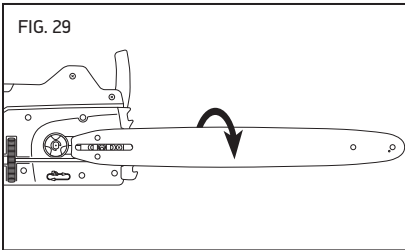
Entretien du guide-chaîne

⚠ MISE EN GARDE : le guide-chaîne peut être chaud après la coupe. Portez des gants pour éviter les brûlures.

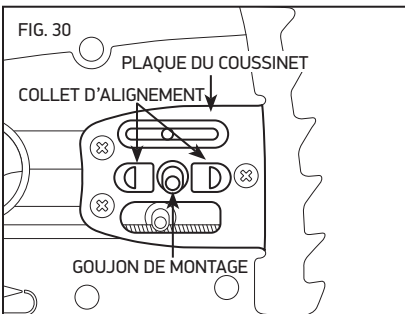
Afin de réduire l'usure du guide-chaîne et d'augmenter sa durée de vie, pensez à le retourner de temps en temps.

Portez des gants.

- Débranchez la tronçonneuse.
- Desserrez légèrement le bouton de déverrouillage du panneau latéral, mais ne retirez pas le panneau latéral.
- Desserrez la molette de tension de la chaîne autant que possible.
- Desserrez le bouton de déverrouillage du panneau latéral et retirez le panneau latéral.
- Retirez le guide et la chaîne, puis inspectez-les pour déceler tout dommage ou signe d'usure.
- Retournez le guide (Fig. 29).



- Placez le guide-chaîne sur la plaque du coussinet en faisant glisser l'encoche du guide sur le collet d'alignement avec le goujon de montage inséré dans la fente du guide-chaîne. Alignez le trou de tension inférieur du guide-chaîne sur le goujon de tension (Fig. 30).



- Remplacez la chaîne de la tronçonneuse comme décrit à la section "Remplacement d'une chaîne usée".
- Réglez la tension de la chaîne comme décrit à la section « Tension de la chaîne de tronçonneuse ».

Remplacement d'un guide-chaîne usé

⚠ AVERTISSEMENT : les bords d'un guide-chaîne usé, en particulier les bords de la rainure au point de contact entre la chaîne et le guide, peuvent être extrêmement coupants. Utilisez une protection pour les mains adaptée.

Lorsque le guide-chaîne est fissuré ou présente une usure excessive sur les bords, en particulier dans la rainure au point de contact entre la chaîne et le guide, il doit être remplacé. En outre, si le pignon est usé, qu'il lui manque des dents ou qu'il ne tourne pas facilement, le guide-chaîne doit être remplacé.

Portez des gants.

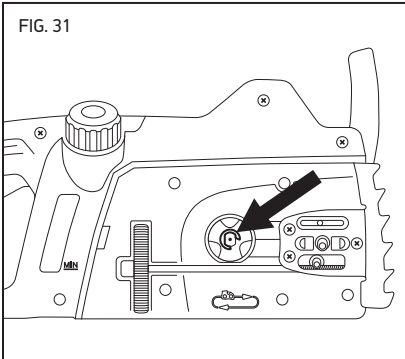
- Débranchez la tronçonneuse.
- Desserrez légèrement le bouton de déverrouillage du panneau latéral, mais ne retirez pas le panneau latéral.
- Desserrez la molette de tension de la chaîne autant que possible.
- Desserrez le bouton de déverrouillage du panneau latéral et retirez le panneau latéral.
- Enlevez le guide et la chaîne.
- Remettez le guide-chaîne en place comme décrit à la section « Entretien du guide-chaîne ».
- Remplacez la chaîne de la tronçonneuse comme décrit à la section "Remplacement d'une chaîne usée".
- Réglez la tension de la chaîne comme décrit à la section « Tension de la chaîne de tronçonneuse ».

Remplacement du pignon d'entraînement

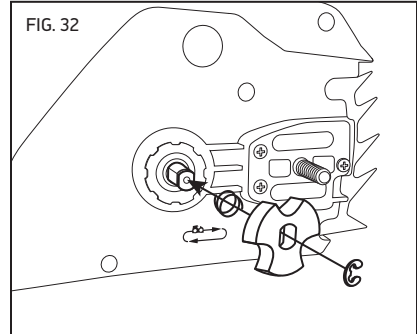
Remplacez le pignon d'entraînement tous les deux remplacements de chaîne ou lorsqu'il est endommagé.

Portez des gants.

- Débranchez la tronçonneuse.
- Desserrez légèrement le bouton de déverrouillage du panneau latéral, mais ne retirez pas le panneau latéral.
- Desserrez la molette de tension de la chaîne autant que possible.
- Desserrez le bouton de déverrouillage du panneau latéral et retirez le panneau latéral.
- Enlevez le guide et la chaîne.
- Utilisez un petit tournevis plat pour ouvrir et retirez l'anneau e-clip, puis retirez le pignon d'entraînement et le ressort (Fig. 31).



- Insérez le nouveau ressort et le nouveau pignon d'entraînement, puis installez le nouvel anneau e-clip (Fig. 32).



- Remplacez la chaîne de la tronçonneuse comme décrit à la section « Remplacement d'une chaîne usée ».
- Réglez la tension de la chaîne comme décrit à la section « Tension de la chaîne de tronçonneuse ».

Informations supplémentaires relatives à l'entretien

Pour plus d'informations sur l'entretien de la chaîne de tronçonneuse, du guide-chaîne et du pignon d'entraînement, consultez le manuel d'entretien et de sécurité d'Oregon®, disponible sur <http://oregonproducts.com/maintenance/manual.htm>.

Dépannage

Utilisez le tableau suivant pour obtenir des solutions éventuelles en cas de problème avec la tronçonneuse. Si ces propositions ne résolvent pas le problème, consultez la section « Garantie et entretien ».

SYMPTÔME	CAUSE ÉVENTUELLE	MESURES RECOMMANDÉES
Le moteur s'arrête pendant la coupe.	La chaîne se coince pendant la coupe.	Entaillez la branche pour réduire la pression exercée sur celle-ci. Consultez la section « Coupe ».
	Le câble est endommagé ou coupé.	Si la rallonge est endommagée, ne l'utilisez pas et remplacez-la. Si le câble de la tronçonneuse est endommagé, ne l'utilisez pas et contactez un centre de réparation agréé.
Le moteur ne démarre pas ou démarre de façon intermittente.	La tronçonneuse n'est pas branchée.	Branchez la tronçonneuse.
	Le câble est endommagé ou coupé.	Si la rallonge est endommagée, ne l'utilisez pas et remplacez-la. Si le câble de la tronçonneuse est endommagé, ne l'utilisez pas et contactez un centre de réparation agréé.
	La prise DDFT est enclenchée.	Débranchez la rallonge, réinitialisez la prise DDFT, puis rebranchez la rallonge.
	Mauvaise prise de courant.	Branchez la rallonge sur une autre prise.
	Le bouton de verrouillage de la gâchette n'est pas enfoncé.	Appuyez sur le bouton de verrouillage de la gâchette avant d'appuyer sur l'interrupteur de la gâchette. Consultez le chapitre « Utilisation générale ».
	Présence de débris dans le panneau latéral	Débranchez la tronçonneuse, puis enlevez le panneau latéral et nettoyez les débris.
Le moteur fonctionne, mais la chaîne ne tourne pas.	Chaîne qui ne s'engage pas dans le pignon d'entraînement.	Remettez la chaîne en place en vérifiant que les maillons d'entraînement sur la chaîne sont correctement placés sur le pignon. Consultez la section « Remplacement d'une chaîne usée ».
	Le pignon du guide-chaîne ne tourne pas.	Remplacez le guide-chaîne. Consultez la section « Remplacement d'un guide-chaîne usé ».
La tronçonneuse ne coupe pas correctement.	Tension de la chaîne insuffisante	Retendez la chaîne. Consultez la section « Tension de la chaîne de tronçonneuse ».
	Chaîne émoussée	Consultez la section « Affûtage De La Chaîne ».
	Chaîne posée dans le mauvais sens	Installez la chaîne avec les dents orientées dans la bonne direction. Consultez la section « Remplacement d'une chaîne usée ».
	Chaîne usée	Remplacez la chaîne. Consultez la section « Remplacement d'une chaîne usée ».
	Chaîne trop sèche ou trop tendue	Vérifiez le niveau d'huile. Remplissez le réservoir si nécessaire. Consultez la section « Remplissage du réservoir d'huile du guide et de la chaîne ».
	Chaîne sortie de la rainure de barre	Réinstallez la chaîne dans la rainure. Consultez la section « Remplacement d'une chaîne usée ».
Chaîne détendue ou déraillant du guide-chaîne	Le panneau latéral n'est pas bien installé	Installez le panneau latéral correctement en vous assurant que la patte à l'arrière du panneau est bien engagée dans le corps de la tronçonneuse.
Le guide et la chaîne sont excessivement chauds et/ou fument.	La chaîne n'est pas assez lubrifiée.	Vérifiez le niveau d'huile. Remplissez le réservoir si nécessaire. Consultez la section « Remplissage du réservoir d'huile du guide et de la chaîne ».

Caractéristiques et composants

⚠ AVERTISSEMENT : l'utilisation de pièces de rechange autres que celles spécifiées dans le présent manuel augmente les risques de blessures. N'utilisez jamais d'accessoires de coupe autres que ceux décrits dans le présent manuel. Des blessures graves, voire mortelles, pourraient survenir si de mauvais accessoires de coupe sont utilisés.

COMPOSANTS DE RECHANGE	RÉFÉRENCE DE LA PIÈCE
Guide-chaîne	160SDEA041
Chaîne de tronçonneuse	91PJ056X (S56)
CARACTÉRISTIQUES DE LA TRONÇONNEUSE	
Tension	120V AC 60 Hz
Puissance	12 Amp
Contenance d'huile	100 ml
Huile pour chaîne et guide	Oregon®
Poids à sec, assemblée	4.6 kg
Poids à sec, sans le guide et la chaîne	3.7 kg
Longueur maximale du guide-chaîne	40 cm (16 po)
Longueur de coupe effective	393 cm (15.5 po)
Dents du pignon d'entraînement	6
Vitesse de la chaîne hors charge	46 ft/s

Garantie et entretien

Garantie

Blount, Inc. garantit toutes les tronçonneuses CS1200 enregistrées chez Oregon® pour une période de deux (2) ans. Cette garantie est valide uniquement pour les unités qui ont été utilisées à des fins personnelles et n'ont pas été louées ou utilisées dans un cadre commercial ou industriel. Pendant la période de garantie, Blount réparera ou, à sa discrétion, remplacera sans frais pour l'acheteur d'origine seulement, tout produit ou toute pièce ayant un défaut de matériau et/ou de main-d'œuvre confirmé après vérification de Blount. Le propriétaire sera responsable de tous les frais de transport et du coût de démontage de toute pièce soumise pour remplacement en vertu de la garantie.

Conserver le reçu original

Veuillez joindre le reçu original de l'achat initial du présent manuel et le conserver dans vos dossiers. Pour le service sous garantie, veuillez apporter le produit et le reçu chez le détaillant où vous l'avez acheté. Ou contactez Oregon® au 1-800-223-5168.

Renseignements de service et de soutien

Consultez notre site Web à l'adresse OregonProducts.com pour des renseignements sur les centres de service ou contactez notre service à la clientèle au 1-800-223-5168 pour une assistance, des conseils techniques supplémentaires, une réparation, ou des pièces de rechange.

Par souci de sécurité, utilisez uniquement des pièces de rechange authentiques d'usine avec la tronçonneuse. Le personnel de notre centre de service a été formé pour vous fournir une aide et un soutien efficaces pour tout réglage, toute réparation ou tout remplacement requis(e) pour tous les produits Oregon®.

Índice

Instrucciones importantes de seguridad	57
Definiciones de las marcas de seguridad.	57
Advertencias generales de seguridad para herramientas eléctricas.	57
Seguridad en el área de trabajo	57
Seguridad eléctrica	57
Seguridad personal	58
Uso y mantenimiento de la herramienta eléctrica	58
Mantenimiento.	58
Instrucciones de seguridad y advertencias para las sierras de cadena	58
Causas del retroceso y su prevención por parte del operador	59
Se deben tomar las siguientes precauciones para disminuir el retroceso.	60
Características de seguridad durante el retroceso	60
Almacenamiento, transporte y desecho	61
Símbolos y etiquetas	62
Nombres y términos de la motosierra	63
Product Identification.	64
Preparación para el uso.	65
¿Qué hay en la caja?	65
Llenar el depósito de aceite de la barra y la cadena	65
Uso de la motosierra	66
Operación general.	66
Uso y cuidado del cable de alimentación.	67
Corte.	67
Mantenimiento y limpieza	72
Inspección.	72
Limpieza	72
Tensado de la cadena de la sierra.	73
Afilado de la cadena de sierra	74
Reemplazo de una cadena de sierra	76
Mantenimiento de la barra de guía	77
Reemplazo de una barra de guía desgastada.	77
Reemplazar la rueda dentada de accionamiento	78
Información adicional sobre el mantenimiento	78
Solución de problemas	79
Especificaciones y componentes	80
Garantía y servicio técnico	81

Instrucciones importantes de seguridad

Introducción

Esta motosierra está diseñada para uso moderado ocasional. No está diseñada para talar árboles grandes ni cortar troncos de grandes diámetros. Esta motosierra no está diseñada para la poda de árboles. No corte árboles o piezas de madera con un diámetro superior a la longitud de corte efectiva de la motosierra, 40 cm (16 pulgadas).

Definiciones de las marcas de seguridad

SÍMBOLO	MARCA	SIGNIFICADO
	ADVERTENCIA	Indica un posible peligro que podría provocar una lesión grave.
	PRECAUCIÓN	Indica un posible peligro que podría provocar un daño considerable a la herramienta o una lesión leve o moderada.
	IMPORTANTE	Seguir estas instrucciones aumentará su satisfacción con la herramienta.

Advertencias generales de seguridad para herramientas eléctricas

⚠ ADVERTENCIA: Lea todas las advertencias de seguridad e instrucciones. El incumplimiento de las advertencias e instrucciones puede provocar descargas eléctricas, incendios o lesiones graves.

CONSERVE TODAS LAS ADVERTENCIAS E INSTRUCCIONES PARA FUTURAS CONSULTAS.

El término "herramienta eléctrica" incluido en las advertencias hace referencia a las herramientas eléctricas operadas con corriente (con cable eléctrico) o a las herramientas eléctricas operadas con baterías (inalámbricas).

Seguridad en el área de trabajo

- **Mantenga el área de trabajo limpia y bien iluminada.** Las áreas abarrotadas y oscuras propician accidentes.
- **No opere herramientas eléctricas en atmósferas explosivas, como ambientes donde se encuentran líquidos, gases o polvo inflamables.** Las herramientas eléctricas originan chispas que pueden encender el polvo o los vapores.
- **Mantenga a los niños y espectadores alejados de la herramienta eléctrica en funcionamiento.** Las distracciones pueden provocar la pérdida de control.

Seguridad eléctrica

- **Los enchufes de la herramienta eléctrica deben adaptarse al tomacorriente. Nunca modifique el enchufe de ninguna manera. No utilice ningún enchufe adaptador con herramientas eléctricas con conexión a tierra.** Los enchufes no modificados y que se adaptan a los tomacorrientes reducirán el riesgo de descarga eléctrica.
- **Evite el contacto corporal con superficies puestas a tierra, como por ejemplo tuberías, radiadores, rangos y refrigeradores.** Existe mayor riesgo de descarga eléctrica si su cuerpo está puesto a tierra.
- **No exponga las herramientas eléctricas a la lluvia o a condiciones de humedad.** Si ingresa agua a una herramienta eléctrica, aumentará el riesgo de descarga eléctrica.
- **No maltrate al cable. Nunca utilice el cable para transportar, tirar o desenchufar la herramienta eléctrica. Mantenga el cable lejos del calor, aceite, bordes afilados o piezas móviles.** Los cables dañados o enredados aumentan el riesgo de descarga eléctrica.
- **Al operar una herramienta eléctrica en el exterior, utilice un cable prolongador adecuado para tal uso.** Utilice un cable adecuado para uso en exteriores a fin de reducir el riesgo de descarga eléctrica.
- **Si el uso de una herramienta eléctrica en un lugar húmedo es imposible de evitar, utilice un suministro protegido con un interruptor de circuito por falla a tierra (GFCI).** El uso de un GFCI reduce el riesgo de descargas eléctricas.

Seguridad personal

- **Permanezca alerta, controle lo que está haciendo y utilice el sentido común cuando emplee una herramienta eléctrica. No utilice una herramienta eléctrica si está cansado o bajo el efecto de drogas, alcohol o medicamentos.** Un momento de descuido mientras se opera una herramienta eléctrica puede provocar lesiones personales graves.
- **Utilice equipos de protección personal. Siempre utilice protección para los ojos.** En las condiciones adecuadas, el uso de equipos de protección, como máscaras para polvo, calzado de seguridad antideslizante, cascos o protección auditiva, reducirá las lesiones personales.
- **Evite el encendido por accidente. Asegúrese de que el interruptor esté en la posición de apagado antes de conectarlo a la fuente de energía o paquete de baterías, o antes de levantar o transportar la herramienta.** Transportar herramientas eléctricas con el dedo apoyado en el interruptor o enchufar herramientas eléctricas con el interruptor en la posición de encendido puede propiciar accidentes.
- **Retire las clavijas de ajuste o llaves de tuercas antes de encender la herramienta eléctrica.** Una llave de tuercas o una clavija de ajuste que se deje conectada a una pieza giratoria de la herramienta eléctrica pueden provocar lesiones personales.
- **No se estire. Conserve el equilibrio adecuado y manténgase parado correctamente en todo momento. Esto permite un mejor control de la herramienta eléctrica en situaciones inesperadas.**
- **Use la vestimenta adecuada. No use ropas holgadas ni joyas.** Mantenga el cabello, la ropa y los guantes alejados de las piezas en movimiento. Las ropas holgadas, las joyas o el cabello largo pueden quedar atrapados en las piezas en movimiento.
- **Si se suministran dispositivos para la conexión de accesorios con fines de recolección y extracción de polvo, asegúrese de que estén conectados y que se utilicen correctamente.** El uso de dispositivos de recolección de polvo puede reducir los peligros relacionados con el polvo.

Uso y mantenimiento de la herramienta eléctrica

- **No fuerce la herramienta eléctrica. Utilice la herramienta eléctrica correcta para el trabajo que realizará.** La herramienta eléctrica correcta hará el trabajo mejor y más seguro a la velocidad para la que fue diseñada.

- **No utilice la herramienta eléctrica si no puede encenderla o apagarla con el interruptor.** Toda herramienta eléctrica que no puede ser controlada mediante el interruptor es peligrosa y debe ser reparada.
- **Desconecte el enchufe de la fuente de energía y/o el paquete de baterías de la herramienta eléctrica antes de realizar ajustes, cambiar accesorios o almacenar herramientas eléctricas.** Estas medidas de seguridad preventivas reducen el riesgo de encender la herramienta eléctrica en forma accidental.
- **Guarde las herramientas eléctricas que no están en uso fuera del alcance de los niños y no permite que otras personas no familiarizadas con ella o con estas instrucciones operen la herramienta.** Las herramientas eléctricas son peligrosas en las manos de usuarios no entrenados.
- **Mantenimiento de las herramientas eléctricas. Controle que no haya piezas móviles mal alineadas o trabadas, piezas rotas y toda otra situación que pueda afectar el funcionamiento de las herramientas eléctricas. Si encuentra daños, haga reparar la herramienta eléctrica antes de utilizarla.** Se producen muchos accidentes a causa de las herramientas eléctricas que carecen de un mantenimiento adecuado.
- **Mantenga las herramientas de corte afiladas y limpias.** Las herramientas de corte con mantenimiento adecuado, con los bordes de corte afilados son menos propensas a trabarse y son más fáciles de controlar.
- **Utilice la herramienta eléctrica, los accesorios y las brocas de la herramienta, etc. de acuerdo con estas instrucciones y teniendo en cuenta las condiciones de trabajo y el trabajo que debe realizarse.** El uso de la herramienta eléctrica para operaciones diferentes de aquéllas para las que fue diseñada podría originar una situación peligrosa.

Mantenimiento

- **Haga que una persona de reparaciones calificada realice el mantenimiento de su herramienta eléctrica y utilice piezas de repuesto idénticas solamente.** Esto garantizará la seguridad de la herramienta eléctrica.

LEA TODAS LAS INSTRUCCIONES.

Instrucciones de seguridad y advertencias para las sierras de cadena

- **Cuando la motosierra esté funcionando, mantenga todas las partes del cuerpo alejadas de la cadena de la sierra. Antes de arrancar la motosierra, asegúrese de que la cadena**

de la sierra no esté en contacto con nada. Un momento de descuido al utilizar motosierras puede provocar que su ropa o su cuerpo queden atrapados en la cadena de la sierra.

- **Siempre mantenga la motosierra con su vareo sobre el mango trasero y la mano izquierda en el mango delantero.** Sosteniendo la motosierra con una configuración invertida mano aumenta el riesgo de lesiones personales y nunca debe hacerse.
- **Sostenga la herramienta eléctrica únicamente por las superficies de agarre aisladas, debido a que la cadena de la sierra puede entrar en contacto con cables eléctricos ocultos o su propio cable.** El contacto de la cadena de la sierra con un cable con corriente eléctrica puede provocar que las partes metálicas expuestas de la herramienta eléctrica también conduzcan la corriente y que el operador sufra una descarga eléctrica.
- **Use anteojos de seguridad y protección para los oídos. Se recomienda el uso de equipos de protección adicionales para la cabeza, las manos, las piernas y los pies.** La ropa de protección adecuada reducirá las lesiones personales producidas por la proyección de fragmentos o el contacto accidental con la cadena de la sierra.
- **No utilice una motosierra mientras se encuentre en un árbol.** El uso de una motosierra al estar subido a un árbol puede provocar lesiones personales.
- **Siempre mantenga una posición firme y adecuada, y utilice la motosierra únicamente cuando esté parado sobre una superficie fija, firme y nivelada.** Las superficies resbalosas o inestables, como las escaleras, pueden provocar una pérdida del equilibrio o del control de la motosierra.
- **Al cortar una rama que esté bajo tensión, manténgase alerta al efecto de resorte.** Cuando se libera la tensión de las fibras de la madera, la rama puede golpear al operador con el efecto de resorte y/o hacer que se pierda el control de la motosierra.
- **Tenga extremo cuidado cuando corte pequeñas malezas y árboles jóvenes.** El material largo y delgado puede quedar atrapado en la cadena de la sierra y azotarle o hacerle perder el equilibrio.
- **Transporte la motosierra sosteniendo el mango delantero con la herramienta apagada y alejada de su cuerpo. Al transportar o guardar la motosierra, siempre coloque la cubierta de la barra guía.** El manejo apropiado de la motosierra reducirá la probabilidad de un contacto accidental con la cadena de la sierra en movimiento.

- **Siga las instrucciones para lubricar, tensar la cadena y cambiar los accesorios.** Una cadena mal tensada o mal lubricada puede romperse o aumentar la posibilidad de retroceso.
- **Mantenga los mangos secos, limpios y libres de aceite y grasa.** Los mangos con grasa o aceite pueden resbalarse y provocar la pérdida de control.
- **Corte madera únicamente. No utilice la motosierra para fines no previstos. Por ejemplo, no utilice la motosierra para cortar plástico, mampostería o materiales de construcción que no sean de madera.** El uso de la motosierra para aplicaciones distintas de las previstas puede dar origen a una situación peligrosa.

Causas del retroceso y su prevención por parte del operador

El retroceso puede producirse cuando la nariz o la punta de la barra guía tocan un objeto o cuando la madera se cierra y pellizca la cadena de la sierra durante el corte.

En algunos casos, el contacto con la punta puede provocar una repentina reacción inversa, empujando la barra guía hacia arriba y hacia atrás en dirección al operador.

El pellizco de la cadena de la sierra a lo largo de la parte superior de la barra guía puede empujar la barra guía rápidamente hacia atrás en dirección al operador. Cualquiera de estas reacciones puede resultar en que usted pierda el control de la sierra, lo cual puede resultar en graves lesiones personales. No confíe exclusivamente en los dispositivos de seguridad incorporados en su sierra. En su condición de usuario de una motosierra, usted debe realizar varias acciones para mantener sus trabajos de corte libres de accidentes o lesiones.

El retroceso es el resultado del mal uso de la herramienta y/o de procedimientos o condiciones de funcionamiento incorrectos y se puede evitar tomando las debidas precauciones que se indican a continuación:

- **Mantenga un agarre firme, con los pulgares y los dedos rodeando los mangos de la motosierra, con ambas manos sobre la sierra y con su cuerpo y brazo ubicados de manera que le permitan resistir las fuerzas de retroceso.** Si se toman las debidas precauciones, el operador puede controlar las fuerzas de retroceso. No suelte la motosierra.
- **No se estire demasiado y no corte por encima de la altura de los hombros.** Esto ayuda a evitar un contacto no deseado con la punta y hace posible un mejor control de la motosierra en situaciones imprevistas.

- **Utilice únicamente barras y cadenas de repuesto especificadas por el fabricante.** El reemplazo incorrecto de las barras y cadenas de repuesto puede provocar rotura de la cadena y/o el retroceso.
- **Siga las instrucciones de afilado y mantenimiento del fabricante para la cadena de la sierra.** La reducción de la altura del calibrador de profundidad puede resultar en un incremento del retroceso.

Se deben tomar las siguientes precauciones para disminuir el retroceso

- Sujete la sierra con firmeza. Sujete la sierra de cadena con firmeza con ambas manos cuando el motor esté en funcionamiento. Sujete firmemente con los pulgares y dedos los mangos de la sierra de cadena. La sierra de cadena tirará hacia adelante cuando corte sobre el borde inferior de la barra y empujará hacia atrás cuando corte a lo largo del borde superior de la barra.
- No se estire demasiado.
- Conserve el equilibrio adecuado y manténgase parado correctamente en todo momento.
- No permita que la boquilla de la barra de guía entre en contacto con un tronco, una rama, el piso u otra obstrucción.
- No realice cortes por encima de la altura del hombro.
- Utilice dispositivos como cadena de retroceso y barras de guía de retroceso reducido que disminuyen los riesgos relacionados con el retroceso.
- Sólo utilice como reemplazo las barras y cadenas que especificó el fabricante o el equivalente.
- Nunca permita que la cadena en movimiento entre en contacto con ningún objeto en la punta de la barra de guía.
- Mantenga el área de trabajo libre de obstrucciones como otros árboles, ramas, rocas, cercos, troncos cortados, etc. Elimine o evite cualquier obstrucción que su cadena de sierra pueda golpear mientras está cortando un tronco o rama en especial.
- Mantenga la cadena de la sierra filosa y tensionada correctamente. Una cadena suelta o sin filo aumentará las posibilidades de retroceso. Verifique la tensión en intervalos regulares con el motor apagado y sin la batería, nunca los haga con el motor en funcionamiento.
- Comience y continúe el corte sólo con el movimiento de la cadena a la máxima velocidad. Si la cadena se mueve a una velocidad menor, es más probable que se produzca un retroceso.
- Corte los troncos de a uno.
- Tenga mucha precaución al reanudar un corte anterior. Trabaje los parachoques acanalados en la

madera y deje que la cadena alcance la velocidad máxima antes de comenzar a cortar.

- No intente realizar cortes de rebajado o en diámetro.
- Tenga cuidado con los troncos que se desplazan u otras fuerzas que pueden cerrar un corte y morder la cadena o caer sobre ella.

Características de seguridad durante el retroceso

⚠ ADVERTENCIA: Las siguientes características se incluyen en su sierra para ayudar a reducir el peligro durante el retroceso; sin embargo, estas características no eliminarán completamente esta riesgosa reacción. Como usuario de la sierra de cadena, no confíe solamente en los dispositivos de seguridad. Debe seguir todas las precauciones de seguridad, las instrucciones y el mantenimiento según se describe en este manual para ayudar a evitar el retroceso y otras fuerzas que pueden provocar lesiones de gravedad.

- **Freno de cadena** diseñado para apagar la motosierra de inmediato si el retroceso es demasiado grande.
- **Barra de guía de retroceso reducido**, diseñada con una pequeña punta de empuje que reduce el tamaño de la zona de retroceso en la punta de la barra. Una barra de guía de retroceso reducido es una que demostró reducir significativamente la cantidad y la gravedad de los retrocesos cuando se la pone a prueba según las normas de seguridad para las sierras de cadena eléctricas.
- **Cadena de retroceso**, diseñada con un calibre de profundidad contorneado y un enlace de guarda que desvía la fuerza de retroceso y permite que la madera se deslice gradualmente en la cortadora. Una cadena de retroceso es una cadena que cumple con los requisitos de rendimiento de retroceso ISO 9518: 1998.
- **No opere la sierra de cadena mientras está en un árbol, en una escalera, en un andamio o desde cualquier superficie inestable.**
- **Sostenga la herramienta por las superficies de agarre aisladas cuando realice una operación en la que la herramienta de corte pueda tocar cables eléctricos ocultos.** El contacto con un cable con "corriente eléctrica" hará que las partes metálicas expuestas de la herramienta tengan "corriente eléctrica" y el operador sufra una descarga eléctrica.
- **No intente realizar operaciones que superen su habilidad o experiencia.** Lea atentamente y comprenda completamente todas las instrucciones de este manual.
- **Antes de encender la sierra de cadena,** asegúrese de que la cadena de la sierra no esté en contacto con ningún objeto.

- **¡No opere la sierra de cadena con una sola mano! La operación con una sola mano puede provocarle lesiones graves al operador, asistente o espectadores.** La sierra de cadena está diseñada para su uso con las dos manos.
- **Mantenga los mangos secos, limpios y libres de aceite o grasa.**
- **No permita que se acumule suciedad, desechos o aserrín en el motor o fuera de los orificios de ventilación.**
- **Apague la sierra de cadena antes de depositarla sobre una superficie.**
- **No corte enredaderas y/o malezas pequeñas.**
- **Tenga extremo cuidado cuando corte pequeñas malezas y árboles jóvenes** ya que el material delgado puede trabar
- la cadena de la sierra, volverse hacia usted y golpearlo o sacarlo de balance.

⚠ ADVERTENCIA: Parte del polvo producido por las herramientas eléctricas al lijar, aserrar, esmerilar, taladrar y realizar otras actividades de la construcción, contiene productos químicos reconocidos por el Estado de California como causantes de cáncer, defectos de nacimiento u otros problemas reproductivos. Algunos de estos productos químicos son:

- el plomo de las pinturas de base plomo,
- la sílice cristalina de ladrillos, el cemento y otros productos de mampostería, y
- el arsénico y el cromo de la madera con tratamiento químico.

El riesgo derivado de estas exposiciones varía según la frecuencia con la que se realice este tipo de trabajo. Para reducir la exposición a estos productos químicos, se recomienda trabajar en áreas bien ventiladas y usar equipos de seguridad aprobados, como las máscaras para polvo especialmente diseñadas para filtrar las partículas microscópicas.

- **Evite el contacto prolongado con las partículas de polvo originadas al lijar, aserrar, esmerilar, taladrar y realizar demás actividades de la construcción. Use indumentaria protectora y lave las áreas expuestas con agua y jabón.**

Evite que el polvo entre en la boca y en los ojos o se deposite en la piel, para impedir la absorción de productos químicos nocivos.

⚠ ADVERTENCIA: El uso de esta herramienta puede generar o dispersar partículas de polvo, que pueden causar lesiones respiratorias permanentes y graves u otras lesiones. Use siempre protección respiratoria apropiada para la exposición al polvo aprobada por el Instituto Nacional de Salud y Seguridad Ocupacional de EE.UU. y la Administración de Salud y Seguridad Ocupacional de EE.UU. (NIOSH y OSHA respectivamente, por sus siglas en inglés). Aleje la cara y el cuerpo del contacto con las partículas.

Almacenamiento, transporte y desecho



ALMACENAMIENTO DE LA MOTOSIERRA

- Desenchufe la motosierra.
- Inspeccione el cable para ver si tiene cortes o está dañado.
- Limpie la motosierra minuciosamente.
- Instale la cubierta de la barra de guía.
- Almacene en un lugar seco.
- Mantenga fuera del alcance de los niños o las mascotas.
- Es normal que se filtre una pequeña cantidad de aceite desde la barra de guía cuando la motosierra no está en uso. Para evitar filtraciones, instale la cubierta de la barra de guía y una almohadilla absorbente debajo de la barra.

TRANSPORTE DE LA MOTOSIERRA

Las herramientas pueden desplazarse durante el transporte. Asegure la herramienta para que no se caiga ni se mueva y así evitar provocar lesiones personales o daños materiales.

- Desenchufe la motosierra.
- Instale la barra de guía.
- Si lo desea, drene el aceite de la barra y de la cadena para reducir las filtraciones.

DESECHO DE LA MOTOSIERRA

Este producto Oregon® se diseña y fabrica con materiales y componentes de alta calidad que pueden reciclarse y reutilizarse. Tenga a bien desechar este equipo de forma adecuada desde el punto de vista medioambiental en un centro de reciclaje o recolección de residuos local.

Símbolos y etiquetas

Estos símbolos y etiquetas aparecen en la motosierra y/o en el manual.

SÍMBOLO	NOMBRE	EXPLICACIÓN
	Construcción de clase II	Herramientas de construcción designadas con doble aislamiento.
	Símbolo de alerta de seguridad	Indica que el texto que sigue explica un peligro, una advertencia o una precaución.
	Lea las instrucciones	El manual original de instrucciones contiene información importante sobre la seguridad y el uso. Lea y siga las instrucciones atentamente.
	Use protección para los ojos	Use protección para los ojos al utilizar la motosierra.
	Use protección para los oídos.	Use protección para los oídos al utilizar la motosierra.
	Use protección para las manos	Use guantes cuando utilice la motosierra y al manipular la cadena de la sierra.
	Use protección para la cabeza.	Use protección para la cabeza al utilizar la motosierra.
	Use pantalones largos.	Use pantalones largos al utilizar la motosierra.
	Use calzado de seguridad.	Use botas de trabajo cerradas y adecuadas al utilizar la motosierra.
	Cuidado con el rebote	⚠ Peligro: el rebote puede provocar lesiones graves.
	Contacto con la punta de la barra	Evite el contacto con la punta de la barra.
	Ángulo de rebote de la motosierra	Diseñado para el uso con motosierra de rebote bajo.
	Agarre con dos manos	Sujete la motosierra con ambas manos.
	Agarre de una mano	No sostenga la motosierra con una sola mano.
	No use una escalera.	Nunca se pare sobre una escalera al utilizar la motosierra.
	No desechar	No deseche el producto con la basura doméstica. Llévelo a un centro de reciclaje autorizado.
	No exponga el producto a la lluvia.	No use la motosierra en condiciones húmedas.
	Cable dañado	Inspeccione el cable de alimentación regularmente para detectar daños. Si el cable está dañado o cortado, retire el enchufe de la red eléctrica de inmediato.
	Herramienta de corte	Herramienta de corte. No toque la cadena sin antes desactivar la motosierra mediante el desenchufe de la misma.
	Riesgo de tropiezo	Conozca la ubicación del cable en todo momento.
	Desenchufe antes de realizar mantenimiento	Desenchufe antes de realizar cualquier tarea de mantenimiento.

Nombres y términos de la motosierra

Brida de alineación: protuberancia en la almohadilla de la barra que encaja en la ranura de la barra.

Engrasador automático: sistema que lubrica automáticamente la barra de guía y la cadena de la sierra.

Almohadilla de la barra: almohadilla de montaje en el cabezal de potencia que ayuda a garantizar la alineación correcta de la barra de guía.

Ranura de la barra: parte recortada de la barra de guía que se ajusta en la brida de alineación y el perno de montaje.

Zona de seguridad para transeúntes: círculo de 6 m (20 pies) alrededor del operador que tiene que mantenerse libre de transeúntes, niños y mascotas.

Retén de la cadena: un dispositivo para retener la cadena si esta se rompe o se descarrila.

Calibre de la cadena: espesor de los eslabones motrices de la cadena de la sierra, donde esta encaja en la ranura de la barra, indicado por el número de pieza impreso en los eslabones motrices.

Paso de la cadena: distancia entre cualquiera de los tres remaches consecutivos de la cadena de la sierra, dividida por dos, indicada por el número de pieza impreso en los eslabones motrices.

Cabezal de potencia de la motosierra: motosierra sin la cadena de la sierra ni la barra de guía.

Disco tensor de la cadena: El disco en la tapa lateral que, al girarlo, ajusta la tensión de la cadena.

Anillo tensor de la cadena: anillo que se encuentra alrededor de la perilla de liberación de la tapa lateral cuando se gira, ajusta la tensión de la cadena.

Eslabón motriz: eslabón en forma de aleta de la cadena de la sierra que se ajusta en la ranura de la barra de guía.

Rueda dentada de accionamiento: parte dentada que acciona la cadena de la sierra.

Longitud de corte eficaz: distancia aproximada desde la raíz del tope claveteado hasta el borde exterior del eslabón de corte con el tensor en posición intermedia.

Corte posterior de tala: el corte final en una operación de tala de árbol realizado en el lado opuesto del árbol desde el corte al ras en muesca.

Asa frontal: asa de apoyo ubicada en la parte frontal de la motosierra o cerca de esta destinada al agarre con la mano izquierda.

Protector del lado derecho: barrera estructural entre el asa frontal de la motosierra y la barra de guía.

Barra de guía: estructura con rieles que soporta y guía la cadena de la sierra. A veces, simplemente se la llama "barra".

Cubierta de la barra de guía: tapa de plástico que protege la barra de guía y la cadena de la sierra cuando la motosierra no está en uso.

Rebote: movimiento rápido de la barra guía hacia atrás y/o hacia adelante, que se produce cuando la cadena cerca del área superior de la punta de la barra guía entra en contacto con cualquier objeto (tal como un tronco o rama), o cuando la madera cierra y atasca la cadena en el corte.

Cadena de rebote bajo: cadena que cumple con los requisitos de rendimiento de bajo rebote de ANSI B175.1 y CSA Z62.3.

Carcasa del motor: cubierta plástica del cabezal de potencia de la motosierra.

Perno de montaje: protuberancia roscada de la brida de alineación que se extiende a través de la ranura de la barra.

Corte al ras en muesca: un corte al ras en forma de muesca en un árbol para direccionar la caída del árbol.

Asa trasera: asa de apoyo ubicada en la parte trasera de la sierra o cerca de esta destinada al agarre con la mano derecha.

Defensa de lado derecho: barrera estructural en el lado inferior derecho del asa trasera para proteger al operador en caso de ruptura o descarrilamiento de la cadena.

Barra de guía de rebote reducido: barra de guía con un radio máximo de punta tal como especifica la ANSI B175.1 y la CSA Z62.3 y que se ha probado que reduce el rebote en forma significativa.

Cadena de la sierra: bucle de cadena con dientes de corte que cortan la madera, que es accionado por el cabezal de potencia y se apoya en la barra de guía. A veces, simplemente se la llama "cadena".

Cubierta lateral: cubierta plástica del cabezal de potencia que cubre la rueda dentada de accionamiento y el engranaje tensor de la cadena; se extrae y se instala con la perilla de liberación de la cubierta.

Pestaña de la tapa lateral: La protuberancia en la tapa lateral que cabe en una ranura en el cuerpo de motosierra. Úsela para alinear correctamente la tapa lateral durante la instalación.

Tope claveteado: dispositivo adaptado a la parte frontal de la sierra que actúa como punto de pivote cuando entra en contacto con un árbol o tronco para facilitar el corte. También conocido como "dientes de tronzado".

Soporte de alivio de tensión: gancho en el asa trasera sobre el cual se monta el cable de extensión a fin de proteger el cable y evitar que se desenchufe durante la operación.

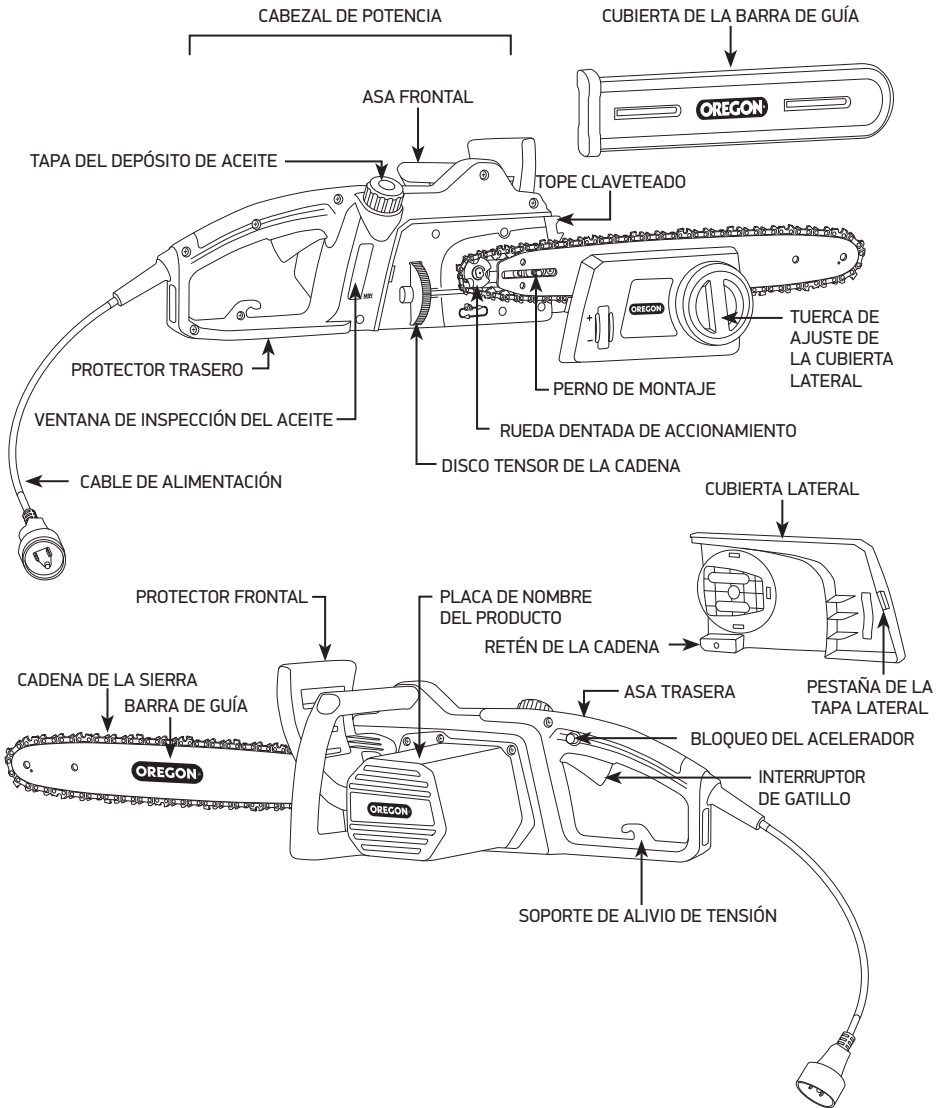
Bloqueo del acelerador: tope móvil que evita la activación accidental del interruptor de gatillo hasta que este sea accionado manualmente.

Interruptor de gatillo: dispositivo que enciende y apaga la motosierra.

Piezas de desgaste: ciertas piezas, como la cadena de la sierra y la barra de guía, que se desgastan durante el uso y que el usuario puede cambiar.

Product Identification

Conozca la motosierra



NOTA: Consulte la sección "Preparación para el uso" para conocer la lista de elementos que se incluyen.

Preparación para el uso

⚠ PELIGRO: Para evitar lesiones personales graves, no use la motosierra si el eje de extensión, la barra de guía, la cadena de la sierra o la cubierta lateral no están armados correctamente.

⚠ ADVERTENCIA: Si hay piezas dañadas o faltan piezas, no intente operar la motosierra.

⚠ ADVERTENCIA: Una herramienta eléctrica enchufada puede arrancar de manera accidental. Desenchufe la motosierra antes de prepararla para usar o realizar el mantenimiento.

¿Qué hay en la caja?

Los siguientes artículos se envían con la motosierra:

- Cuerpo de motosierra
- Cadena de la motosierra y barra de guía
- Tapa de la barra de guía

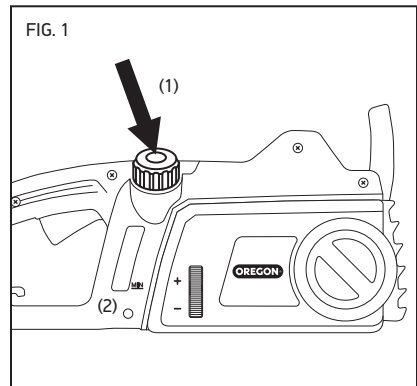
Luego de sacar la motosierra de la caja, examínela cuidadosamente para asegurarse de que no haya sufrido daños durante el envío y que no falten piezas. Si hay piezas dañadas o faltan piezas, no use la motosierra. Llame a Oregon® al 800.223.5168 para obtener piezas de repuesto.

Llenar el depósito de aceite de la barra y la cadena

IMPORTANTE: El aceite de la barra y la cadena evita el desgaste prematuro. Nunca opere la motosierra si no hay aceite visible en la ventana de inspección. Verifique el nivel de aceite con frecuencia y llene el depósito cuando sea necesario.

El aceite de la barra y la cadena es necesario para lubricar adecuadamente la barra de guía y la cadena de la sierra. La motosierra cuenta con un engrasador automático que deposita aceite en la barra y la cadena cuando están en funcionamiento para mantenerlas lubricadas. Para obtener mejores resultados, use aceite Oregon® para la barra y la cadena. Está diseñado especialmente para proporcionar una baja fricción y cortes más rápidos. NO use aceite ni otros lubricantes que no estén diseñados específicamente para su uso en la barra y la cadena. Esto puede provocar una obstrucción en el sistema de aceite, lo cual puede ocasionar un desgaste prematuro de la barra y la cadena.

Coloque la motosierra sobre una superficie firme y plana, de modo que la tapa del aceite (1) quede en la parte superior (Fig. 1).



- Limpie cualquier suciedad de la zona de la tapa.
- Quite la tapa (1).
- Vierta cuidadosamente el aceite para la barra y la cadena en el depósito.
- Coloque la tapa y asegúrese de que puede ver el aceite en el depósito (2).

Uso de la motosierra



Operación general

⚠ PELIGRO: Para evitar lesiones personales graves, no se estire excesivamente ni se pare sobre una escalera, un taburete ni en una posición de altura que no esté totalmente asegurada. nunca corte por encima de la altura del hombro.

⚠ ADVERTENCIA: Para reducir el riesgo de lesiones, siempre use protección para la cabeza, los oídos y los ojos, botas y guantes adecuados.

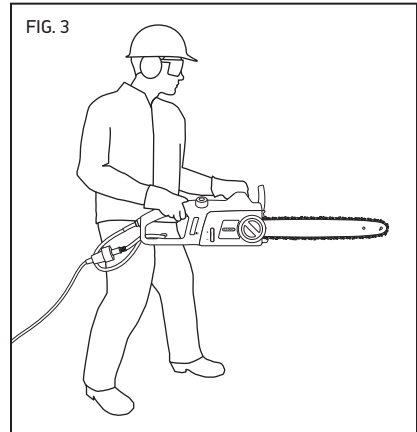
SUJECIÓN

Siempre agarre la herramienta con ambas manos. Sujete el asa frontal con la mano izquierda y el asa trasera con la derecha (Fig. 2). Envuelva los dedos sobre la parte superior del asa con el pulgar debajo del asa



POSICIÓN

Párese con ambos pies sobre suelo sólido, con el peso distribuido de manera uniforme entre ellos (Fig. 3).



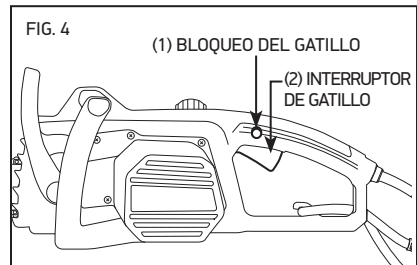
DETENCIÓN DE LA MOTOSIERRA

Sulte el interruptor de gatillo para detener la motosierra.

ARRANQUE DE LA MOTOSIERRA

⚠ ADVERTENCIA: Para reducir el riesgo de lesiones, nunca anule el sistema de bloqueo al unir, cablear o atar el bloqueo del gatillo.

Sujete los mangos frontal y trasero con firmeza. Presione y mantenga apretado el bloqueo del gatillo con el pulgar (1). Para arrancar la sierra, presione el interruptor de gatillo (2) (Fig. 4). No hay necesidad de continuar presionando el bloqueo del gatillo. Permanecerá desconectado hasta que se suelte el gatillo.



Uso y cuidado del cable de alimentación

SELECCIÓN DE UN CABLE DE EXTENSIÓN

Seleccione un cable de extensión que:

- Esté específicamente etiquetado para uso en exterior
- Tenga un tamaño de cable (AWG; calibre de cable estadounidense) lo suficientemente pesado para transportar corriente a todo lo largo del cable conforme a la siguiente tabla

Seleccione el calibre del cable de extensión de acuerdo a la longitud deseada y las especificaciones eléctricas indicadas en la etiqueta del producto.

Estos son los calibres recomendados con base en la longitud del cable.

LONGITUD DEL CABLE (PIES)	TAMAÑO MÍNIMO DEL CABLE
0-50	14 AWG (1,5 mm ²)
51-100	12 AWG (3,0 mm ²)

Asegúrese de que el aislamiento esté libre de grietas y que los enchufes de ambos extremos no estén dañados.

USO DEL SOPORTE DE ALIVIO DE TENSION

Es importante usar el soporte de alivio de tensión por dos razones:

- Ahorra el desgaste en el cable de alimentación y el cable de extensión y sus enchufes.
- Evita que la motosierra se desenchufe del cable de extensión en forma accidental.

Para usar el soporte de alivio de tensión, doble el cable de extensión en forma de U y páselo a través del orificio en el asa trasera. Deslice el bucle del cable por el gancho y tire ligeramente hasta que se ajuste (Fig. 5).

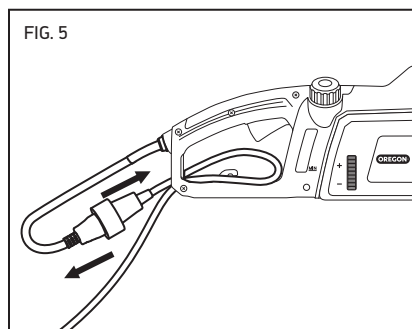


FIG. 5

Corte

⚠ ADVERTENCIA: Para reducir el riesgo de lesiones, use protección para la cabeza, los oídos y los ojos, botas y guantes adecuados.

⚠ ADVERTENCIA: Para reducir el riesgo de descarga eléctrica, asegúrese de que el aislamiento del cable esté intacto y que el cable esté en una ubicación seca donde no haya peligro de cortarse o tropezar.

⚠ ADVERTENCIA: Para reducir el riesgo de lesiones, asegúrese siempre de tener buen apoyo en sus pies y sostenga la motosierra firmemente con ambas manos mientras el motor esté en funcionamiento.

⚠ ADVERTENCIA: Para reducir el riesgo de lesiones, planifique con anticipación y planifique varias vías de escape antes de comenzar a trabajar.

⚠ PRECAUCIÓN: Establezca una zona de seguridad para transeúntes de 6 metros (20 ft) antes de usar este equipo. La zona de seguridad para transeúntes es un círculo de 6 m (20 pies) alrededor del operador en el cual no debe haber transeúntes, niños ni mascotas (Fig. 6). Las operaciones de tala requieren una zona de seguridad más grande de acuerdo al tamaño del árbol, vea la sección “Tala de un árbol”.

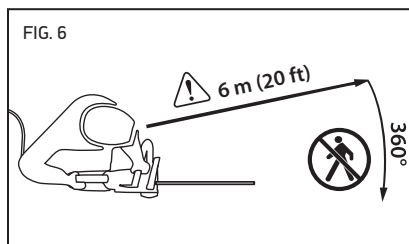


FIG. 6

IMPORTANTE: Practique el corte de troncos sobre un caballete de serrar o una base hasta que esté cómodo al operar la sierra.

Para obtener el mejor desempeño y operar la sierra en forma segura, siga estas instrucciones:

- Cumpla con todas las reglas y reglamentaciones nacionales y municipales aplicables para cortar.
- Tome descansos con frecuencia para reducir el riesgo de sufrir lesiones.
- Antes de empezar a cortar, asegúrese de que la cadena de la sierra esté correctamente tensada y que la cadena esté afilada.

Las cadenas de la sierra están hechas exclusivamente para cortar madera. No use la motosierra para cortar cualquier otro material y no permita que la cadena entre en contacto con suciedad, piedras, clavos, grapas o alambre. Estos materiales son extremadamente abrasivos y desgastarán el revestimiento de protección de la cadena en un tiempo muy corto.

Afile o cambie la cadena de la sierra si ocurre alguna de estas condiciones:

- La presión requerida para hacer cortes aumenta notablemente.
- Salen astillas de madera muy finas fuera de la cadena o parecidas al polvo.

No trabaje con una cadena desafilada ya que esto aumentará el esfuerzo necesario para cortar, provocará cortes irregulares, aumentará el desgaste de la motosierra y el riesgo de rebotes. Nunca fuerce una cadena desafilada a cortar.

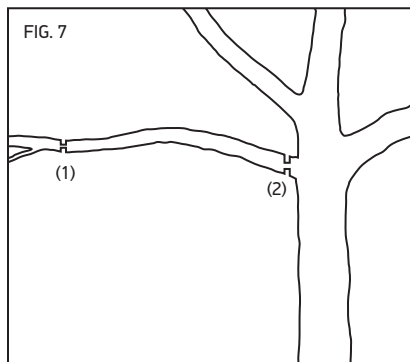
- Asuma el agarre de corte apropiado y colóquese frente a la madera con la sierra apagada. Presione el bloqueo del gatillo y apriete el interruptor del gatillo. Deje que la cadena de la sierra alcance la velocidad máxima antes de comenzar el corte.
- Para comenzar a cortar, presione ligeramente la barra de guía contra la madera. Aplique solo una presión ligera y deje que la sierra haga el trabajo.
- Mantenga una velocidad constante durante todo el corte y libere la presión justo antes del final del corte.
- Conozca la ubicación del cable en todo momento para evitar riesgos de tropiezo y evitar cortar el cable.
- Conozca la ubicación de la punta de la barra en todo momento y evite el contacto con otros objetos.
- Si la sierra se detiene repentinamente al cortar, extraiga la sierra del corte y luego reanude el corte con una presión ligera sobre la pieza de trabajo.

PODA

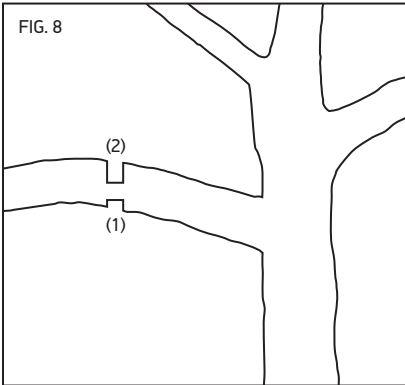
⚠ PRECAUCIÓN: Las ramas caídas pueden rebotar o “saltar” después de tocar el suelo, por lo cual es fundamental mantener el suelo despejado para proporcionar varias vías de escape. Limpie el área de trabajo y use protección para la cabeza.

La poda es la extracción de ramas secas o maleza para mantener la salud de la planta.

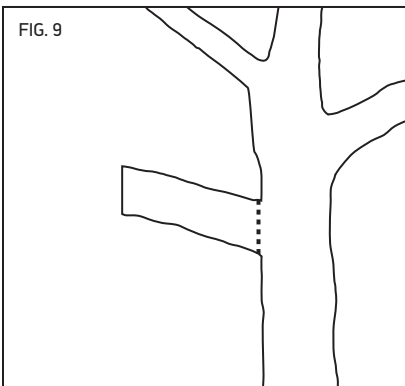
- Planee las vías de despeje antes de empezar a cortar y asegúrese de que no haya obstáculos. Sepa siempre cómo quitarse del camino de las ramas que caen.
- Asegúrese de que los transeúntes o ayudantes estén a una distancia segura de las ramas que caen. Los transeúntes o ayudantes no deben estar directamente en frente ni detrás del operador. Vea la Fig. 6.
- Mantenga un apoyo sólido en el piso y sostenga la motosierra firmemente con ambas manos. No se estire excesivamente. Nunca se suba a un árbol o a una escalera para alcanzar las ramas altas.
- Sujete firmemente las ramas que puedan resultar peligrosas.
- Use el equipo auxiliar apropiado.
- Poda las ramas más bajas antes de podar las más altas.
- Deje que la cadena de la sierra alcance la velocidad máxima antes de cortar.
- Aplique una presión ligera en la rama.
- Para las ramas largas (Fig. 7), corte primero el extremo de la rama (1) para aliviar la presión de la rama, y luego poda más cerca del tronco (2).



- Las ramas gruesas (10 cm de diámetro [más de 4 in]) pueden crear astillas o pellizcar la cadena cuando se hace un solo corte desde la parte superior. Para evitar pellizcar o astillar, primero haga un corte de alivio poco profundo en la superficie inferior de la rama (1), y luego corte la rama completamente desde la parte superior (2) (Fig. 8).

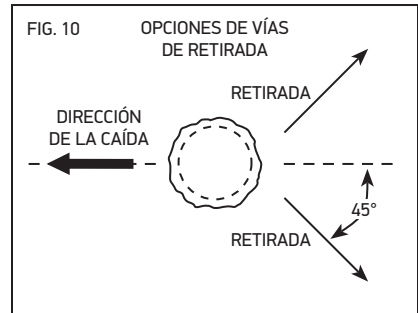


- Después de quitar la mayor parte de la rama, haga un corte suave cerca del tronco (Fig. 9).



TALA DE UN ÁRBOL

⚠ PRECAUCIÓN: Es probable que un árbol ruede o se deslice cuesta abajo después de ser talado. Planifique y despeje una vía de retirada antes de comenzar los cortes. La vía de retirada debe extenderse hacia atrás y en forma diagonal con respecto a la parte trasera de la línea de caída esperada (Fig. 10).

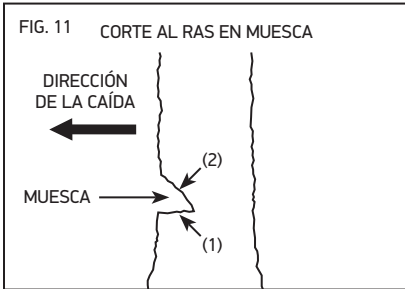


Talar es cortar un árbol.

- Antes de comenzar a talar, considere la inclinación natural del árbol, la ubicación de las ramas más grandes y la dirección del viento para evaluar la dirección en que caerá el árbol.
- Quite la suciedad, las piedras, la corteza suelta, los clavos, las grapas y el alambre del árbol donde se van a hacer los cortes de tala.
- Cuando dos personas están realizando al mismo tiempo operaciones de tronzado y tala, separe la operación de tala de la operación de tronzado por una distancia del al menos dos veces la altura de un árbol que se esté talando.
- Los árboles no deben talarse de una manera que pueda poner en peligro a cualquier persona, golpear cualquier línea de servicio público o causar daños a la propiedad. Si el árbol entra en contacto con una línea de servicio público, abandone el área inmediatamente y notifique a la compañía de servicios públicos.
- Use los clavos de metal en la parte delantera de la sierra para sujetar la sierra en la madera. Coloque el tope claveteado de metal en la madera y úselo como punto de apalancamiento para aumentar la estabilidad al cortar madera de diámetro grande.

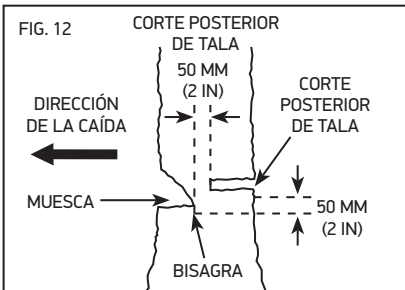
Corte al ras en muesca

- Primero, haga el corte a 1/3 del diámetro del árbol perpendicular a la dirección de la caída. Primero, realice el corte al ras en muesca en la parte inferior y en forma horizontal (1). Esto ayudará a evitar el pellizco de la cadena de la sierra o la barra de guía cuando se esté realizando el segundo corte (2) (Fig. 11).



Corte posterior de tala

- Luego, realice el corte posterior de tala al menos 2 pulgadas (50 mm) más arriba que el corte al ras en la muesca horizontal (Fig. 12). Mantenga el corte posterior de tala paralelo con el corte al ras en la muesca horizontal.



- Realice el corte posterior de tala de modo que quede suficiente madera para que actúe como bisagra. La madera en bisagra evita que el árbol se tuerza y caiga en la dirección incorrecta. No corte la bisagra.
- A medida que el corte de tala se acerca a la bisagra, el árbol debe comenzar a caer.

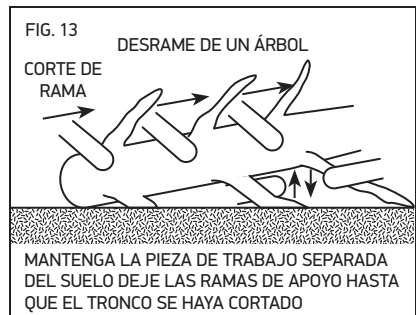
- Si hay alguna posibilidad de que el árbol no caiga en la dirección deseada o pueda mecarse hacia atrás y forzar la cadena de la sierra, deje de cortar antes de que el corte de tala esté completo y use cuñas de madera, plástico o aluminio para abrir el corte y deje caer el árbol en la línea de caída deseada.
- Cuando el árbol comience a caer, quite la motosierra del corte, detenga el motor, baje la motosierra, luego use la vía de retirada planificada.
- Permanezca alerta por si las ramas caen por encima de su cabeza y cuide su posición.

DESARAME DE UN ÁRBOL

⚠ PRECAUCIÓN: Las ramas bajo tensión pueden “rebotar” y golpear al operador o hacer que la motosierra quede fuera de control, lo cual puede causar lesiones personales. Siempre esté atento a la madera bajo tensión o que pueda golpear al operador o a la motosierra cuando se corte.

Desramar es eliminar las ramas de un árbol caído.

- Al desramar, deje las ramas inferiores más grandes para sostener el tronco separado del suelo.
- Elimine las ramas pequeñas con un corte.
- Las ramas bajo tensión deben cortarse desde abajo hacia arriba para evitar forzar la cadena de la sierra (Fig. 13).



TRONZADO DE UN TRONCO

⚠ PRECAUCIÓN: Tronzar troncos bajo tensión aumenta la posibilidad de rebote. Use uno de los métodos a continuación para sostener el tronco cuando esté tronzando.

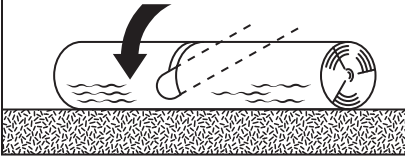
Tronzar es cortar un tronco en trozos. Es importante asegurarse de que su posición de apoyo sea firme y el peso esté distribuido firmemente en ambos pies. Cuando sea posible, se debe levantar el tronco y apoyarlo mediante el uso de ramas, troncos o topes.

- Cuando el tronco esté apoyado en toda su longitud, corte desde arriba (tronzado superior) (Fig. 14).

FIG. 14

EL TRONCO SE APOYA A LO LARGO DE TODA SU LONGITUD

CORTE DESDE LA PARTE SUPERIOR (TRONZADO SUPERIOR) EVITE CORTAR TIERRA



- Cuando el tronco esté apoyado sobre un extremo, corte 1/3 de diámetro desde la parte inferior (tronzado inferior), luego haga el corte final, tronzado superior, para unirlos con el primer corte (Fig. 15).

FIG. 15 EL TRONCO SE APOYA EN UN EXTREMO

2.º CORTE DE TRONZADO SUPERIOR (2/3 DEL DIÁMETRO) QUE COINCIDA CON EL 1.º CORTE (PARA EVITAR EL PELLIZCADO)

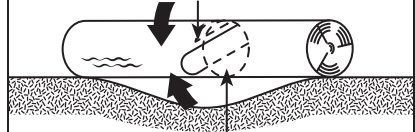


1.º CORTE DE TRONZADO INFERIOR (1/3 DEL DIÁMETRO) PARA EVITAR EL ASTILLADO

- Cuando el tronco esté apoyado en ambos extremos, corte 1/3 del diámetro desde el tronzado superior, luego haga el corte final, tronzado inferior de los últimos 2/3 para unirlos con el primer corte (Fig. 16).

FIG. 16 TRONZADO DE UN TRONCO

1.º CORTE DE TRONZADO SUPERIOR (1/3 DEL DIÁMETRO) PARA EVITAR EL ASTILLADO

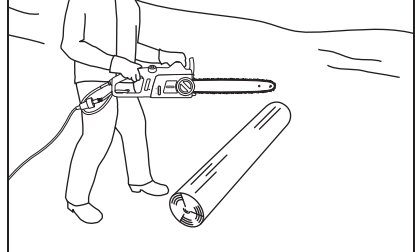


2.º CORTE DE TRONZADO INFERIOR (2/3 DEL DIÁMETRO) QUE COINCIDA CON EL 1.º CORTE (PARA EVITAR EL PELLIZCADO)

- Cuando esté tronzando en una pendiente, permanezca siempre sobre el lado cuesta arriba del tronco (Fig. 17).

FIG. 17 TRONZADO EN UNA PENDIENTE

AL CORTAR PERMANEZCA SOBRE EL LADO CUESTA ARRIBA PORQUE EL TRONCO PUEDE RODAR



- Para mantener un control completo durante el corte transversal, libere la presión de corte cerca del extremo del corte sin relajar el agarre de las asas de la motosierra.
- No deje que la cadena entre en contacto con el suelo.
- Luego de completar el corte, espere que la cadena se detenga antes de mover la motosierra.
- Detenga siempre el motor antes de moverse de un árbol a otro.

Mantenimiento y limpieza



⚠ ADVERTENCIA: La omisión de identificación y reemplazo de piezas dañadas o desgastadas puede causar lesiones personales graves. Inspeccione la motosierra regularmente. La inspección regular es el primer paso para el mantenimiento adecuado. Siga las pautas establecidas a continuación para maximizar la seguridad y la satisfacción. Reemplace cualquier pieza dañada o excesivamente desgastada inmediatamente.

⚠ ADVERTENCIA: Una herramienta eléctrica enchufada puede arrancar de manera accidental. Desenchufe la motosierra antes de prepararla para usar o realizar el mantenimiento.

⚠ PRECAUCIÓN: Al limpiar la motosierra, no la sumerja en agua ni en otros líquidos.

Inspección

Antes de cada uso, y si la motosierra se ha dejado caer, revise las siguientes partes:

- Cable: asegúrese de que el enchufe esté en buenas condiciones y no esté doblado o corroído, y que el aislamiento esté intacto. Si el cable está dañado, no lo use. Comuníquese con un concesionario de servicio técnico autorizado.
- Asas: las asas delantera y trasera no deben tener grietas ni otros daños. Deben estar limpias y secas.
- Protector frontal: el protector frontal debe estar libre de daños.
- Barra de guía: la barra debe estar recta y no debe estar astillada, agrietada ni desgastada de manera excesiva.

- Cadena de la sierra: la cadena debe estar correctamente tensada y afilada y los componentes no deben estar astillados, agrietados ni desgastados de manera excesiva. Consulte las secciones "Tensado de la cadena de la sierra" y "Afilado con PowerSharp".
- Cubierta lateral: la cubierta lateral no debe estar agrietada ni dañada. Debe encajar perfectamente en el cuerpo de la sierra, sin deformaciones. Asegúrese de que el retén de la cadena no esté agrietado.
- Nivel de aceite: asegúrese de que el depósito de aceite esté lleno antes de utilizar el producto.
- Carcasa del motor: verifique que no haya grietas en la cubierta ni suciedad en las rejillas de entrada de aire.

Inspeccione periódicamente las siguientes piezas:

- Rueda dentada de accionamiento: busque surcos profundos, dientes rotos o zumbidos.
- Cabezal de corte, cubierta lateral inferior: asegúrese de que el perno de montaje de la barra no esté doblado, desmontado ni que la rosca esté cruzada y que la almohadilla de la barra y la brida de alineación estén intactas y libres de suciedad.

Limpieza

⚠ PRECAUCIÓN: Cuando limpie la motosierra, no la sumerja en agua ni en otros líquidos.

Utilice guantes.

- Desenchufe la motosierra.
- Elimine las virutas de madera y otra suciedad de la carcasa del motor y las ventilaciones.
- Limpie siempre las virutas de madera, el aserrín y la suciedad de la ranura de la barra cuando reemplace la cadena.
- Asegúrese de que el cable y el enchufe estén limpios y secos antes de conectarlos a un tomacorriente.

Tensado de la cadena de la sierra



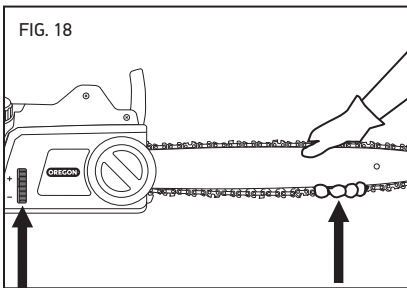
⚠ ADVERTENCIA: Una herramienta eléctrica enchufada puede arrancar de manera accidental. Desenchufe la motosierra antes de prepararla para usar o realizar el mantenimiento.

⚠ ADVERTENCIA: Si la cadena aún está floja cuando la sierra se encuentra a la máxima tensión, reemplace la cadena.

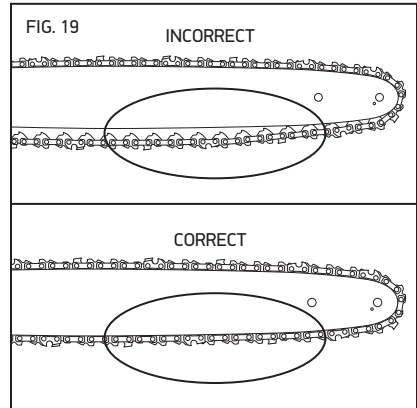
IMPORTANTE: Tense únicamente la cadena de la sierra cuando la cadena esté fría. Una cadena caliente se puede contraer y dañar la barra de guía o la cadena a medida que se enfría.

Utilice guantes.

- Desenchufe la motosierra antes de tensar.
- Afloje la perilla de la cubierta lateral, pero no quite la cubierta lateral.
- Levante la nariz de la barra de guía (Fig. 18) y gire el disco tensor de la cadena hacia arriba para apretarlo.



- Apriete hasta que las cuchillas más bajas por debajo de la barra entren en contacto firme con el raíl de la barra (Fig. 19).



- Ajuste la perilla de liberación de la cubierta lateral.
- Tire ligeramente de la cadena. La tensión es correcta cuando la cadena se ajusta de nuevo después de haber sido extraída a 3 mm de la barra de guía.
- Después de un corto período de uso, deje que la cadena se enfríe, desenchufe la motosierra y vuelva a comprobar la tensión. Controle cuidadosamente la tensión durante la primera media hora de uso y periódicamente durante la vida útil de la cadena. Vuelva a ajustarla según sea necesario cuando la cadena y la barra estén frías al tacto. Nunca ajuste la cadena si está caliente.

La cadena se estirará como resultado del uso normal, pero la falta de aceite suficiente, el uso agresivo o la falta de mantenimiento recomendado pueden causar un estiramiento prematuro.

Afilado de la cadena de sierra

Se recomienda que un proveedor de servicios de Oregon® afile la cadena, pero también puede ser afilada por el operador.

⚠ ADVERTENCIA: Si la cadena está mal afilada o el calibrador de profundidad está ajustado demasiado bajo, existe un mayor riesgo de lesiones. Afile siempre la cadena según las especificaciones descritas en este manual.

IMPORTANTE: El afilado de acuerdo con estas instrucciones permite reparar daños menores en la cadena de sierra por el contacto con la suciedad o similares. Para reparar daños más graves en la cadena de sierra (como en caso de contacto con hormigón), lleve la cadena a un proveedor de servicios autorizado de Oregon® o reemplace la cadena.

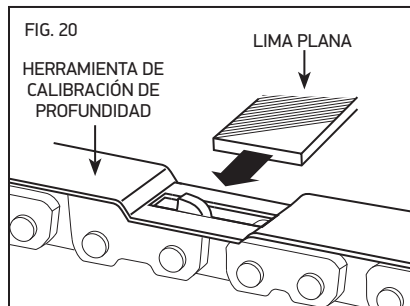
El afilado de la cadena requiere estas herramientas (disponibles en un kit de Oregon®, consulte el apartado "Especificaciones y componentes"):

- Guía de limado
- Lima de afilado redonda de 4 mm para cadena de sierra (use solo limas de afilado especiales para cadenas de sierra)
- Herramienta de calibración de profundidad de 0,65 mm
- Lima plana

Después de recoger las herramientas, póngase guantes y protección para los ojos, y desenchufe la motosierra. Después, disponga la cadena para colocar la herramienta de calibración de profundidad:

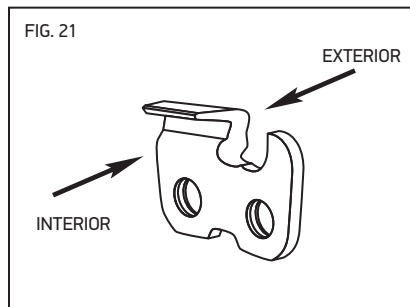
- Ajuste el tornillo tensor tan atrás hacia la parte posterior del cabezal de corte como sea posible.
- Afloje el disco tensor de la cadena tanto como sea posible.
- Retire la cadena.
- Coloque la cadena en un tornillo de banco para mantenerla firme.

- Coloque la herramienta de calibración de profundidad sobre la cadena, de manera que un calibrador de profundidad sobresalga a través de la ranura de la herramienta.
- Si el calibrador de profundidad sobresaliese por encima de la parte superior de la ranura, rebaje el calibrador de profundidad para nivelarlo con la parte superior de la herramienta usando una lima plana (Fig. 20). Nunca rebaje el calibrador de profundidad demasiado de manera que sobrepase el ajuste de calibración de profundidad especificado en este manual.



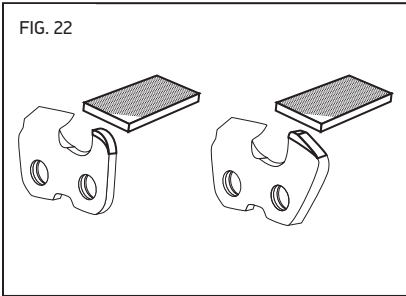
IMPORTANTE: Afile en una sola dirección, de dentro afuera. Nunca afile con un movimiento de adelante hacia atrás.

- lime desde la superficie interior del calibrador de profundidad hacia el exterior (Fig. 21).

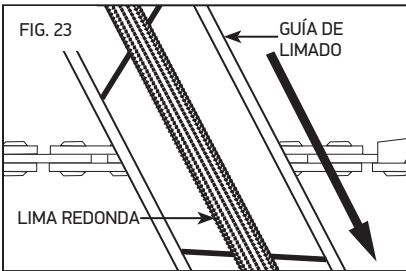


- Retire la herramienta de calibración de profundidad.

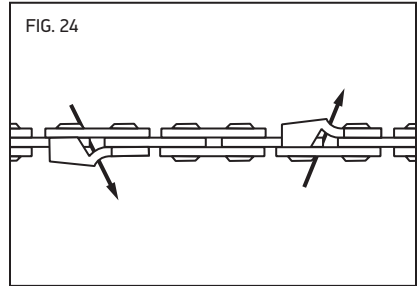
- Después de rebajar, lime siempre la esquina delantera de cada calibrador de profundidad en sentido paralelo a su forma original redondeada o inclinada (Fig. 22).



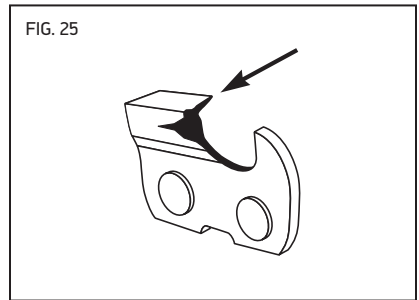
- Repita el proceso para cada calibrador de profundidad de la cadena.
- Después de ajustar el calibrador de profundidad, afile las cuchillas:
- Coloque la lima de la cadena en la guía de limado.
- Alinee la guía de limado de modo que el ángulo de limado correcto de la placa superior marcado en la guía de limado quede paralelo a la cadena (Fig. 23).



- Afíle primero las cuchillas de un lado de la cadena. Haga 3-4 pasadas con la lima desde el interior de cada cuchilla hacia el exterior. Realice el mismo número de pasadas en cada cuchilla. Luego, gire la motosierra y repita para las cuchillas del otro lado de la cadena (Fig. 24).



- Lime cualquier daño en las placas de cromo lateral o superior (Fig. 25).



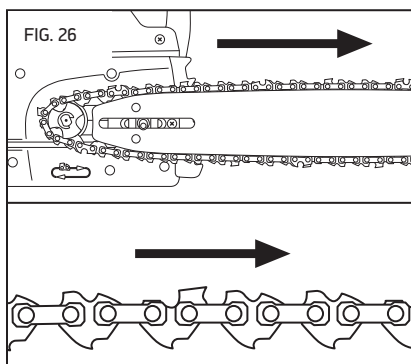
- Mantenga igual la longitud de todas las cuchillas.
- Después de afilar todas las cuchillas, utilice la guía de limado para comprobar los calibradores de profundidad de nuevo. Vuelva a colocar el calibrador de profundidad si fuese necesario.
- Reemplace la cadena y la tapa lateral.

Reemplazo de una cadena de sierra

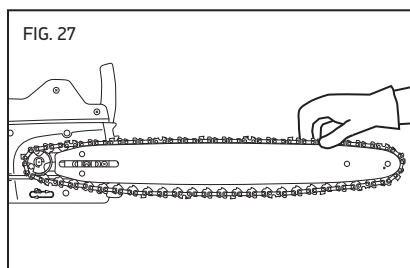
La cadena de la sierra tiene que ser reemplazada cuando se rompan sus dientes, cuando se agriete o se estire hasta el punto de que no se pueda mantener a una tensión adecuada o cuando no se pueda afilar.

Utilice guantes.

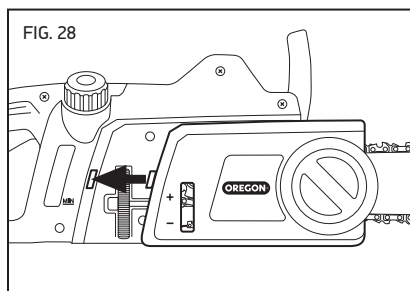
- Desenchufe la motosierra.
- Afloje el disco tensor de la cadena tanto como sea posible.
- Afloje la perilla de la cubierta lateral y quite la cubierta lateral.
- Extraiga la cadena.
- Pase la cadena de la sierra sobre la rueda dentada de accionamiento de manera que los bordes de corte de los dientes a lo largo de la parte superior de la barra queden opuestos al cabezal de potencia (Fig. 26).



- Introduzca la cadena en la ranura de la barra y deslice la barra en sentido opuesto del motor para tensar la cadena (Fig. 27).



- Coloque la tapa lateral asegurándose de que el receptor de la cadena y la pestaña de la tapa lateral estén adecuadamente situados en sus ubicaciones (Fig. 28) y luego tense ligeramente el botón de desenganche de la tapa lateral.



- Tense la cadena como se describe en la sección "Tensado de la cadena de la sierra".

IMPORTANTE: La cadena de la sierra debe estar correctamente tensada antes de usarla. Vea la sección "Tensado de la cadena de la sierra".

Mantenimiento de la barra de guía

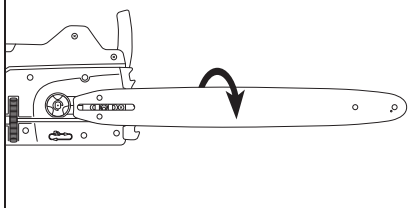
⚠ PRECAUCIÓN: La barra guía puede estar caliente después de cortar. Use guantes para evitar quemaduras.

Para que la barra se desgaste de manera pareja y para maximizar su vida útil, voltee la barra de vez en cuando.

Utilice guantes.

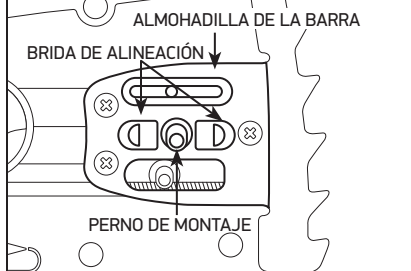
- Desenchufe la motosierra.
- Afloje la perilla de la cubierta lateral, pero no quite la cubierta lateral.
- Afloje el disco tensor de la cadena tanto como sea posible.
- Afloje la perilla de la cubierta lateral y quite la cubierta lateral.
- Quite la barra y la cadena e inspeccione para ver si hay daños y desgaste.
- Voltee la barra (Fig. 29).

FIG. 29



- Coloque la barra de guía en la caja de la barra desplazando la ranura sobre el reborde de alineamiento, con la guía de centrado insertada a través de la ranura de la barra de guía. Alinee el orificio de tensión inferior en la barra de guía para asentarla en el perno de tensión (Fig. 30).

FIG. 30



- Vuelva a colocar la cadena de la sierra como se describe en la sección "Reemplazo de una cadena de sierra".
- Tense la cadena como se describe en la sección "Tensado de la cadena de la sierra".

Reemplazo de una barra de guía desgastada.

⚠ ADVERTENCIA: Los bordes de una barra de guía desgastada, sobre todo los bordes de la ranura donde la cadena toca la barra, pueden estar muy afilados. Utilice protección adecuada para las manos.

La barra de guía tiene que ser reemplazada cuando se agrieta o presenta un desgaste excesivo alrededor de los bordes, especialmente en la ranura donde la cadena de la sierra toca la barra. La barra también tiene que ser reemplazada si la rueda dentada de la punta está desgastada, le faltan dientes o no gira uniformemente.

Utilice guantes.

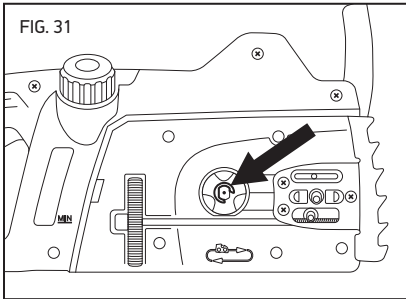
- Desenchufe la motosierra.
- Afloje la perilla de la cubierta lateral, pero no quite la cubierta lateral.
- Afloje el disco tensor de la cadena tanto como sea posible.
- Afloje la perilla de la cubierta lateral y quite la cubierta lateral.
- Quite la barra y la cadena e inspeccione para ver si hay daños y desgaste.
- Coloque la barra de guía en la almohadilla de la barra deslizando la ranura de la barra sobre la brida de alineación, como se describe en la sección "Mantenimiento de la barra de guía".
- Vuelva a colocar la cadena de la sierra como se describe en la sección "Reemplazo de una cadena de sierra".
- Tense la cadena como se describe en la sección "Tensado de la cadena de la sierra".

Reemplazar la rueda dentada de accionamiento de accionamiento

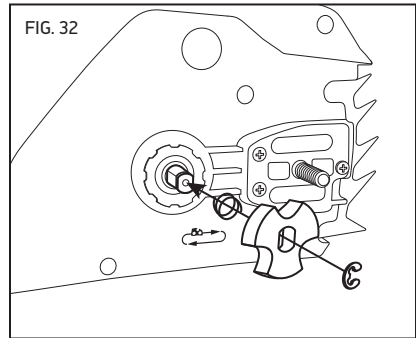
Reemplace la rueda dentada de accionamiento después de cada dos reemplazos de la cadena de la sierra, o cuando la rueda dentada esté dañada.

Utilice guantes.

- Desenchufe la motosierra.
- Afloje ligeramente la perilla de la cubierta lateral, pero no quite la cubierta lateral.
- Afloje el disco tensor de la cadena tanto como sea posible.
- Afloje la perilla de la cubierta lateral y quite la cubierta lateral.
- Extraiga la barra y la cadena.
- Use un destornillador plano y pequeño para abrir el broche en E; para ello, haga palanca y extráigalo, y quite la rueda dentada de accionamiento y las arandelas (Fig. 31).



- Inserte la rueda dentada de accionamiento nueva e instale el broche en E nuevo (Fig. 32).



- Vuelva a colocar la barra y la cadena como se describe en la sección "Reemplazo de una cadena de sierra".
- Tense la cadena como se describe en la sección "Tensado de la cadena de la sierra".

Información adicional sobre el mantenimiento

Para obtener información adicional sobre el mantenimiento de la cadena de la sierra, la barra de guía y la rueda dentada de accionamiento, consulte el Manual de seguridad y mantenimiento de Oregon® en <http://oregonproducts.com/maintenance/manual.htm>.

Solución de problemas

Utilice esta tabla para ver las posibles soluciones para los problemas potenciales de la motosierra. Si estas sugerencias no resuelven el problema, consulte la sección "Garantía y servicio técnico".

SÍNTOMA	POSIBLE CAUSA	MEDIDAS RECOMENDADAS
El motor se detiene durante el corte	La cadena pellizcada en el corte.	Corte la rama por debajo para aliviar la presión sobre la rama. Consulte la sección "Corte".
	El cable está dañado o cortado	Si el cable de extensión está dañado, no lo utilice y reemplácelo. Si el cable de la motosierra está dañado, no lo utilice y comuníquese con un local de servicio técnico aprobado.
El motor no funciona o funciona en forma intermitente.	La sierra no está enchufada	Enchufe la sierra.
	El cable está dañado o cortado	Si el cable de extensión está dañado, no lo utilice y reemplácelo. Si el cable de la motosierra está dañado, no lo utilice y comuníquese con un local de servicio técnico aprobado.
	El tomacorriente con GFCI está desconectado	Desenchufe el cable de extensión, reinicie el GFCI y vuelva a enchufar el cable de extensión.
	El tomacorriente no funciona	Enchufe el cable de extensión en un tomacorriente diferente.
	El bloqueo del acelerador no está presionado.	Presione el bloqueo del gatillo antes de apretar el interruptor de gatillo. Consulte la sección "Uso general".
	Suciedad en la cubierta lateral	Desenchufe la motosierra y luego quite la cubierta lateral y limpie la suciedad.
El motor funciona, pero la cadena de la sierra no gira,	La cadena no está enganchada en la rueda dentada de accionamiento.	Vuelva a instalar la cadena y asegúrese de que los eslabones motrices de la cadena estén completamente asentados en la rueda dentada de accionamiento. Consulte la sección "Reemplazo de una cadena de sierra".
	La rueda dentada de la punta de la barra no gira.	Reemplace la barra de guía. Consulte la sección "Reemplazo de una barra de guía desgastada".
La motosierra no corta adecuadamente.	Tensión insuficiente de la cadena	Tense la cadena. Vea la sección "Tensión de la cadena de la sierra".
	Cadena desafilada	Vea la sección "Afilado de la cadena de sierra".
	Cadena instalada al revés	Instale la cadena con los dientes hacia la dirección correcta. Consulte la sección "Reemplazo de una cadena de sierra".
	Cadena desgastada	Reemplace la cadena. Consulte la sección "Reemplazo de una cadena de sierra".
	Cadena seca o excesivamente estirada	Revise el nivel del aceite. Rellene el depósito de aceite si fuera necesario. Consulte la sección "Llenado del depósito de aceite de la barra y la cadena".
	La cadena no está en la ranura de la barra.	Vuelva a colocar la cadena en la ranura. Consulte la sección "Reemplazo de una cadena de sierra".
Cadena que se afloja o sale de la barra de guía	La tapa lateral no está instalada correctamente	Instale correctamente la tapa lateral asegurándose de que la pestaña de la parte posterior de la tapa lateral esté metida en el cuerpo de la motosierra.
La barra y la cadena están excesivamente calientes y/o sale humo de ellas.	La cadena no tiene suficiente lubricación.	Revise el nivel del aceite. Rellene el depósito de aceite si fuera necesario. Consulte la sección "Llenado del depósito de aceite de la barra y la cadena".

Especificaciones y componentes

⚠ ADVERTENCIA: El uso de piezas de repuesto que no sean las mencionadas en esta guía aumenta el riesgo de lesiones. Nunca use accesorios de corte distintos a los descritos en este manual. Podrían producirse lesiones graves e incluso fatales si se utilizan accesorios de corte incorrectos.

COMPONENTES DE REPUESTO	NÚMERO DE PIEZA
Barra de guía	160SDEA041
Cadena de sierra	91PJ056X (S56)
ESPECIFICACIONES DE LA MOTOSIERRA	
Tensión	120V AC 60 Hz
Alimentación	12 Amp
Capacidad de aceite	100 ml
Aceite para la barra y la cadena	Oregon®
Peso en seco en el montaje	4.6 kg
Peso en seco sin la barra y la cadena	3.7 kg
Longitud máxima de la barra	40 cm (16 in)
Longitud de corte eficaz	39 cm (15.5 in)
Dientes de la rueda dentada de accionamiento	6
Velocidad de la cadena sin carga	46 ft/s

Garantía y servicio técnico

Garantía

Blount, Inc. garantiza todas las motosierras Oregon® CS1200 registradas por un período de dos (2) años. Esta garantía es válida solo para unidades que han sido utilizadas para uso personal, que no han sido alquiladas o contratadas, ni utilizadas para uso comercial o industrial. Durante el período de garantía, Blount reemplazará o, según su decisión, reparará sin cargo toda pieza o producto adquirido por el comprador original y cuyo material y/o fabricación presenten fallas según el criterio de Blount después de examinarlos. El comprador deberá hacerse responsable de los gastos de transporte y de cualquier gasto por la extracción de cualquier pieza que deba ser reemplazada durante la vigencia de esta garantía.

Guarde el recibo original

Adjunte el recibo original de la compra inicial con este manual y archivo. Para obtener información sobre el servicio de garantía, lleve el producto y el recibo al concesionario donde compró el producto. O comuníquese con Oregon® al 800.223.5168.

Información sobre servicio técnico y soporte

Visítenos en Internet, en OregonProducts.com a fin de obtener información sobre los centros de servicio técnico, o comuníquese con nuestro departamento de servicio al cliente; para ello, llame al 800.223.5168, a fin de obtener asistencia, asesoramiento técnico adicional, reparaciones o piezas de repuesto.

Por su seguridad, use en las motosierras solo repuestos originales de fábrica. Nuestro centro de atención al cliente cuenta con personal capacitado que le brindará un servicio de asistencia y soporte técnico eficiente al momento de ajustar, reparar o cambiar todos los productos Oregon®.



OregonProducts.com

Blount International Inc.
4909 Southeast International Way
Portland, OR 97222-4679 USA