



## INSTRUCTION MANUAL

*For assembly, set up and operational use. 2 – 15*

## MODE D'EMPLOI

*Pour le montage, le réglage et l'utilisation. 16 – 29*

## MANUAL DE INSTRUCCIONES

*Para armado, instalación y uso operativo. 30 – 43*

**#88-100 & 88-101**

*Blade Sharpening Belt Grinder*

*Meule à bande  
d'affûtage de lame*

*Lijadora de banda de afilador  
de cuchillas*

READ INSTRUCTIONS  
THOROUGHLY BEFORE OPERATING

LIRE CES DIRECTIVES EN ENTIER  
AVANT L'UTILISATION

LEA LAS INSTRUCCIONES CON ATENCIÓN  
ANTES DE UTILIZAR EL DISPOSITIVO

# Safety Requirements



## OPERATOR, AND OPERATING AREA SAFETY

Subject equipment includes grinders, buffers, polishers, and other rotating equipment. Serious injury or death may occur if minimum safety precautions are not understood, and obeyed by operators and those other persons who may be in the immediate vicinity of the subject equipment. Persons who operate or are in the immediate vicinity of the subject equipment must be properly trained in, and use, minimum safety precautions and procedures for such machinery.



**PERSONAL PROTECTION EQUIPMENT, SUCH AS GRINDING GLOVES, HEARING PROTECTION, AND SAFETY GLASSES MUST BE WORN WHEN USING THIS EQUIPMENT. CHECK WITH YOUR COMPANY'S SAFETY OFFICER FOR OTHER SAFETY REQUIREMENTS.**

**NEVER USE THIS EQUIPMENT IF YOU ARE NOT PROPERLY TRAINED IN ITS OPERATION AND SAFE USE! IF IN DOUBT STOP AND ASK FOR GUIDANCE!**

## MINIMUM SAFETY REQUIREMENTS TO OPERATE, OR WORK IN THE IMMEDIATE VICINITY SUBJECT EQUIPMENT:

1. Read and understand all operating instructions, manuals, labels, and other information provided with the equipment.
2. Install the equipment according to manufacturer's instructions.
3. Electrical installation must be in accordance with applicable codes and regulations.
4. Securely bolt the equipment to a rigid, structurally sound mounting surface.
5. Don't expose the grinder to rain, or use the grinder in damp or wet locations. Don't use the grinder if the power cord is damaged or wet.
6. Do not wear loose clothing or jewelry. Non-skid footwear is recommended when working with the grinder. Wear protective hair coverings to contain long hair. Wear proper safety equipment and clothing to protect eyes, hands, face, arms, legs, feet, and body from flying debris, forcibly ejected work pieces and broken abrasive belts.
7. Use safety glasses. Everyday eyewear does not have impact resistance lenses.
8. Do not use this equipment when tired, ill or under the influence of alcohol or other drugs.
9. Review and understand all machine guards, adjustments, and points of exposure to potential injury.
10. Do not remove, tamper with, or otherwise alter, equipment guards and other safety features.
11. The use of stone or vitreous wheels on any OREGON belt grinder is prohibited. The grinder guarding is not suitable for these types of wheels.
12. Ensure the machine is adjusted and remains adjusted according to manufacture's requirements.
13. Maintain the equipment in good operating condition.
14. Have another person who is knowledgeable in proper and safe operation of the subject equipment demonstrate proper and safe operation to all operators, and to those persons who might be in the immediate vicinity of the subject equipment.
15. Always wear gloves and use work piece holding devices when ever possible that diminish the possibility that persons will come in contact with moving machine pieces, or spark/debris output from the machine.
16. Always keep electrical cords clear of rotating parts and belts when in motion.
17. Do not use the grinder near flammable liquids or gases. Sparks from the grinder can cause fires.
18. Use spark and debris arresting apparatus. Such apparatus should be connected to the machine so as to contain dust and debris that is generated, and to suppress sparks thereby limiting human inhalation risk, and the risk of fire or explosion.
19. Use appropriate inhalation apparatus to protect person from ingestion and/or inhalation of sparks, debris, smoke, particulates, etc.
20. Avoid mixing different metals, alloys, and materials. To mix such materials might create a fire or explosion hazard.
21. Protect persons from work pieces, particulates, etc. that could be forcibly ejected from the machine. For example, a buffing wheel or grinding belt can "grab" a work piece while the work piece is being buffed, polished, ground, or otherwise conditioned, resulting in forcible ejection toward the operator or those in the vicinity of the machine. The use of leather aprons, gloves, and eye shields are examples of protective gear that may be effective. In general do not grind, buff, or otherwise engage the traveling belt, wheel, or disc surface with the work piece pointing into the direction from which the belt, wheel, or disc is traveling. However, if you choose to do so, be aware the work piece may lodge in the traveling belt, wheel, or disc and be forcibly and dangerously ejected.
22. Do not operate this machine if the gap (nip point) between a moving belt, wheel or disc, and the work support surface exceeds 1/8 inch.
23. Do not operate this machine if the gap between the moving abrasive belt, disc or wheel and the adjacent face of the work rest (or table) will permit passage of the work piece through the gap (nip

point). Note, however, that certain alloys such as titanium may create conditions where grinding debris can accumulate in a tight gap creating a potential fire hazard. **When in doubt consult with your safety officer.** Failure to observe this warning may result in the work piece or other item being caught in this gap, and/or being forcibly ejected. Failure to heed this warning may cause serious bodily harm to the operator and/or bystanders.

24. Never position the work rest table at an acute angle between the top of the work rest table and the moving belt or wheel. Doing so will create "nip point" that can cause serious injury should an operator body part become entangled (pulled into) the nip point created by this acute angle.
25. Do not operate the equipment or allow others to operate the equipment without proper training in these and other rotating machinery safety requirements.
26. Disconnect the power source when the grinder is not in use.
27. Do not perform maintenance on the equipment unless you are fully qualified to do so and understand all necessary safety and operating requirements.
28. Do not leave the machine unattended while it is running.

29. Correct equipment or safety problems immediately. Do not operate the equipment when it requires maintenance or correction.
30. Install and use high quality abrasive belts, wheels, discs, media, etc., as appropriate to your machine.
31. Understand and follow the operating requirements provided by the manufacturer of these materials.

## ROTATIONAL SPEED WARNING, CONTACT WHEELS

Scope: Contact wheels manufactured by OREGON®, which have rubber or urethane tires. Examples include but are not limited to stock codes 202, 302, 402, 502, 702, 802, 902, 1002, 1202 and variants. Variants have stock codes that begin with the base number; i.e. 802-S-55 is an 802 variant.

Users are warned not to exceed the below listed revolutions per minute (RPM) on the subject wheels. Failure to heed this warning may lead to tire de-bonding, fragmentation, or other mechanical failure. Such failures may cause serious personal injury to operators or bystanders, and/or cause property damage.

STOCK CODE	MAXIMUM RPM
202, 302	10,000
402, 502, 702 802	4,400
902, 1002	3,000
1202	2,200

## OCCUPATIONAL NOISE EXPOSURE

OREGON products produce levels of noise consistent with their intended purposes. The level and spectral content of noise produced is dependent on the product type, the degree that the product is maintained in proper operating condition, the abrasive/media and accessories used, the specific application, and the surrounding environment.

Noise levels produced by various OREGON grinders, as measured at the factory, range from 80 to 93 decibels. Product operators and persons in the immediate product vicinity should be protected from excessive noise dose levels as prescribed in OSHA regulation 29CFR Part 1910.95 titled "Occupational Noise Exposure".



### WARNING:

ROTATING EQUIPMENT CAN BE DANGEROUS TO OPERATORS AND THOSE WHO MAY BE IN ITS IMMEDIATE OPERATING VICINITY. IT IS THE ABSOLUTE AND DIRECT RESPONSIBILITY OF PURCHASERS, MANAGERS, AND OPERATORS OF THIS EQUIPMENT TO UNDERSTAND AND OBEY THE FOREGOING MINIMUM OPERATING SAFETY REQUIREMENTS.

OREGON disclaims any and all responsibility for injuries, damage, loss of income, or other adverse consequence as might be incurred by purchasers, managers, and operators of this equipment.

If you have questions or safety concerns regarding operating the subject equipment please call your authorized OREGON distributor, or Oregon Outdoor Equipment Parts, OREGON, Blount, Inc., P.O. Box 22127, Portland, Oregon 97222, 800-223-5168, or you can contact us by email at [technicalservices@oregonproducts.com](mailto:technicalservices@oregonproducts.com)

# Warning

---



## **AVOID INJURY:**

Operator safety and the continued effectiveness of your model 760 requires that you:

- **Do not** defeat the safety guards and other safety provisions of the model 760.
  - **Do not** operate the model 760 with the safety guard open or the contact wheel guard/platen assembly (or internal grinding attachment) removed.
  - **Do not** reach inside the safety guards while the machine is running. To do so is hazardous.
- **Do not** use fluids in your grinding process unless your model 760 is designed for liquid operation. (NEMA 4, 4X). To do so may create an electrical safety hazard.
  - **Do not** use your model 760 to grind/polish explosive materials unless it is equipped with explosion proof electrical devices and motor.
  - **Do not** mix alloys in your grinding. To do so may create an explosion/fire hazard.
  - **Do not** use stone or vitreous wheels on the model 760. To do so will create an operator safety hazard.
- **Do** use eye, hand, face, arm, leg, feet and body protection that is adequate to protect against flying debris, forcibly ejected work pieces, broken abrasive belts, etc.
  - **Do** train operators and others in safe operating practices.

**POST THESE OR EQUIVALENT INSTRUCTIONS SUCH THAT THEY ARE AVAILABLE FOR READY OPERATOR REFERENCE.**

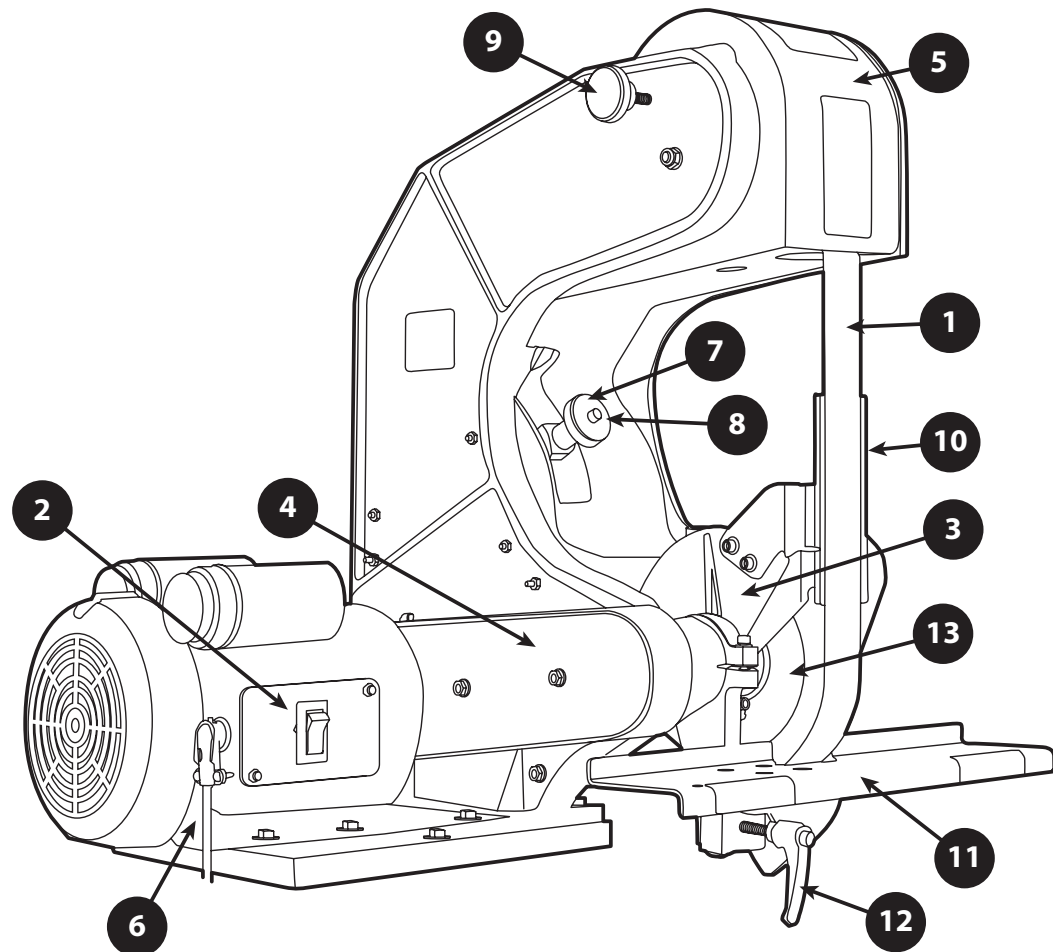
## AVAILABLE PARTS

Please refer to the parts drawing when ordering parts. Not all components of the Grinder are replacement items, but are illustrated as a convenient reference for location. When ordering parts, give Model number, serial number and description.

Call or write for current pricing:

Oregon Outdoor Equipment Parts, OREGON®, Blount, Inc.,  
 P.O. Box 22127, Portland, Oregon 97222, 800-223-5168,  
 or you can contact us by email at  
[technicalservices@oregonproducts.com](mailto:technicalservices@oregonproducts.com)

ITEM	PART NO.	DESCRIPTION
1	88-111	Abrasive Belt, 1-1/2" x 60" 36 g
	88-112	Abrasive Belt, 1-1/2" x 60" 120 g
2	011C	On/Off Switch
3	703-3	Contact Wheel Guard
4	728	V-Belt Guard
5	742A-1	Safety Guard
6	015-2	AC Power Cord
7	737A	Tensioning Handle
8	737B-1	Tensioning Button
9	771	Tracking Adjustment Knob
10	704A	Vertical Platen
11	9609	Mower Blade Attachment
12	1203	Attachment Locking Lever
13	702	Contact Wheel



## Before Use



BEFORE OPERATING ANY EQUIPMENT PLEASE READ AND REVIEW ALL SAFETY INSTRUCTIONS FOR THE OREGON® MODEL 760.

PERSONAL PROTECTION EQUIPMENT, SUCH AS GRINDING GLOVES, HEARING PROTECTION, AND SAFETY GLASSES MUST BE WORN WHEN USING THIS EQUIPMENT. CHECK WITH YOUR COMPANY'S SAFETY OFFICER FOR OTHER SAFETY REQUIREMENTS.

### WARNING:

USE CAUTION WHEN LIFTING GRINDER. USE TWO PEOPLE WHEN REMOVING FROM SHIPPING BOX.



Prior to operating the model 760 please take time to do the following:

1. Ensure that you have received all of the items that you ordered. Compare the packing slip with your purchase order, and of course with the physical items received.
2. Verify that there is no obvious shipping damage. If shipping damage is discovered notify the freight carrier of your intention to file a freight damage claim. They will assist you.
3. Verify that the AC power that is identified on the machine as received matches the AC power that you intend to operate the machine with. Do not modify the machine's wiring without first contacting your distributor and/or OREGON.

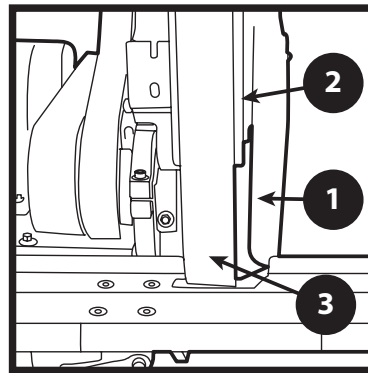


FIGURE 1

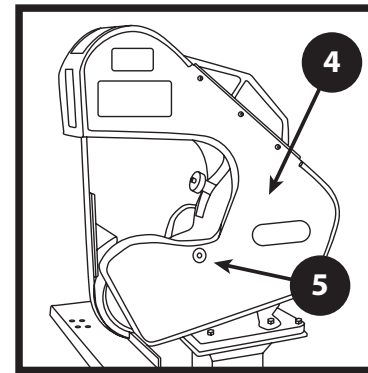


FIGURE 2

- 1 CONTACT WHEEL GUARD
- 2 VERTICAL PLATEN
- 3 ABRASIVE BELT
- 4 SAFETY GUARD DOOR
- 5 DOOR LATCH

4. Do not modify or defeat any AC wiring safety feature. Never remove the grounding pin on the AC plug.
5. Verify that you have received an **Instruction Manual**.
6. Verify that the various guards for the machine are in place and functional. (See illustration, pg. 5.)
  - a. The contact wheel guard and vertical platen are mounted and adjusted such that the platen lightly touches the back of the abrasive belt (Figure 1). See page 7 for complete instructions on installation.
  - b. The full safety guard is in place, closed, and its door latch is functional such that it will securely hold the safety door closed. (Figure 2).
7. Prior to operating the model 760 carefully read the **Instruction Manual**. Ensure that all persons who will operate the model 760, or who will work in the vicinity of the model 760 read understand, and comply with these instructions.
8. Ensure that the grinder is located in an area that provides clear access to the machine such that operators have safe and unobstructed access to the machine. The work place should be free from floor obstructions, trip points, and other faults that may reduce operator safety.
9. OREGON recommends that all three phase installations include a magnetic starter. Magnetic starters protect motors from "single phasing", overheating, etc. thereby reducing the risk of damage to the equipment and/or fire hazard to your facility.
10. Ensure that the model 760 AC power source is properly sized, and properly fused. You should consult a competent electrician, or you may call OREGON for guidance.

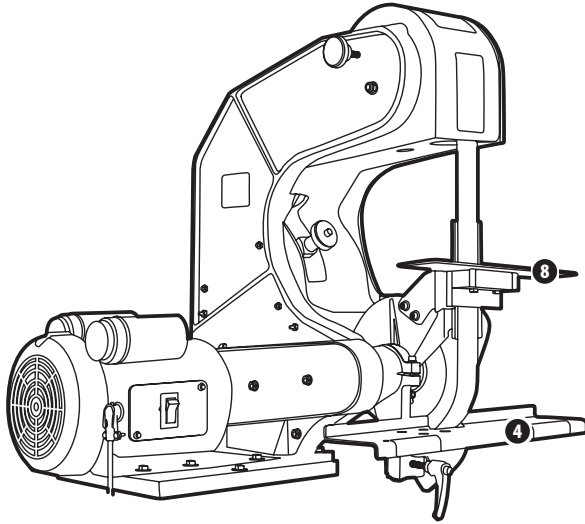
The model 760 belt grinder is a three wheel path belt grinder that uses a 1 1/2" x 60" continuous loop abrasive belt. For maximum effectiveness and operator safety, use abrasive belts manufactured by well respected abrasive manufacturers.

Use abrasive belts that are the proper size and type for your machine.

- Do not use abrasive belts that are old or excessively worn.

- Do not use abrasive belts that use lap splice joints. Lap spliced belts are prone to separation. They may also tend to snag your work and create a potential safety hazard by snagging and propelling the work part in the operator's direction.





## MOUNTING

Your machine has been assembled and passed numerous quality checks prior to shipping. The mower blade attachment is fully assembled.

1. Open wheel cover door and remove contact wheel with 15/16" socket wrench. (Figure 3)
2. Rotate table support arm to the down position.

3. Using a 7/16" wrench and 5/32" Allen wrench, remove table support arm bolt and attach the support bar to the table support arm.
4. Using a 3/16" Allen wrench, tighten table support arm bolt.
5. Using a 3/16" Allen wrench, remove two screws from table support arm mounting block and attach mower blade support table. Tighten securely, making sure to place washers on the outside of bracket on mower blade support table. (Figure 4)
6. Replace contact wheel with 15/16" socket. It will be a tight fit, so proceed carefully and use a little lubricating oil if needed.

## INSTALLING THE BELT

7. Install the 36 grit belt over all three wheels and tension belt by pivoting tension knob upwards.
8. Pivot vertical platen into position so belt is gently touching the vertical platen. Tighten the 3/16" Allen screws to secure the vertical platen to the bearing housing.

9. Ensure that the abrasive belt is tensioned properly. To do this, raise the tensioning handle (Figure 5). You will hear mechanical clicks as the tensioning ratchet moves. Generally, the belt will be adequately tensioned when you hear three to eight clicks. To reduce or release the belt tension slightly raise the tensioning handle then press the button in the center of the tensioning handle. Move the tensioning handle down slightly to reduce belt tension or all the way down to release belt tension.
10. Rotate belt by hand to center belt on wheels.
11. Close wheel cover door.
12. Attach chain saw bar grinding table with two bolts to the vertical platen. (Figure 6).

## ADJUSTING THE ATTACHMENT

Unlike a stone grinder, the diameter of the contact wheel will remain nearly the same the entire life of the wheel. Since the diameter of the wheel also will remain constant you will rarely need to adjust the table height. Another advantage of using a belt to grind metal versus a stone is when a stone reduces in diameter, you lose surface speed, making grinding times increase. A stone wheel may turn at 6,000 surface feet per minute when it's brand new, but after limited use the diameter of the stone will decrease and the result will be increased sharpening times and the stone will retain more heat.

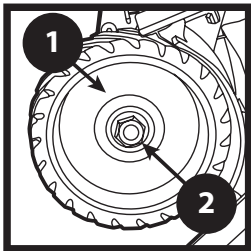


FIGURE 3

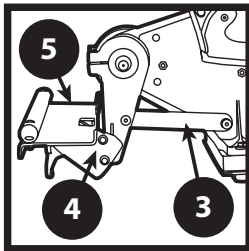


FIGURE 4

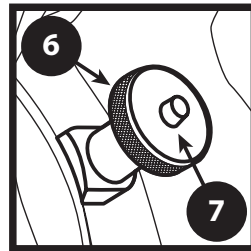


FIGURE 5

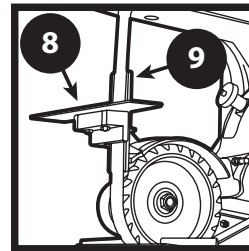


FIGURE 6

- 1 CONTACT WHEEL
- 2 CONTACT WHEEL NUT
- 3 TABLE SUPPORT ARM
- 4 MOWER BLADE SUPPORT TABLE
- 5 TABLE SUPPORT BAR

- 6 TENSIONING HANDLE
- 7 TENSIONING HANDLE BUTTON
- 8 CHAIN SAW BAR GRINDING TABLE
- 9 VERTICAL PLATEN

## CHECKING THE GRINDER

The model 760 was fully tested and verified to comply with requirements prior to shipping from the factory. You should perform the following steps:

1. Adjust the work support and work support arm to the desired position with the Attachment Locking Lever (Figure 7). Take care that the gap between the face of the abrasive belt and the work rest is at most 1/8 inch. **WARNING: Be aware that thin section work pieces can pass through this gap if the gap is not properly adjusted. Ejected work parts can cause serious personal injury!**
2. With the machine securely bolted to its table, pedestal, and/or floor point connect the AC power to its source.

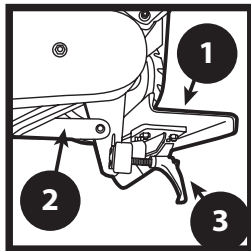


FIGURE 7

- ① WORK SUPPORT
- ② WORK SUPPORT ARM
- ③ ATTACHMENT LOCKING LEVER
- ④ TRACKING ADJUSTMENT KNOB

3. Engage the motor by placing the ON/OFF switch to ON. The belt should rotate smoothly in a counterclockwise direction around the machine wheel belt path. If either of these conditions is not met immediately turn the machine OFF.
  - a. If the abrasive belt does not remain centered on the contact wheel while the belt is moving use the Tracking Adjustment Knob (Figure 8) on the upper left side of the machine to track the belt. Turn this control clockwise to cause the belt to track to the left; conversely, turn the control counterclockwise to cause the belt to move to the right.

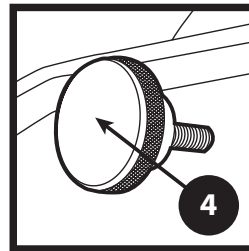


FIGURE 8

- b. If the belt runs in reverse (up from the floor) you must correct this unsafe condition by changing the main drive motor rotation direction. (See instructions below.)
- c. If the abrasive belt tensions and tracks properly, but has excessive vibration, **turn the machine off and call OREGON® for assistance.**

**Always unplug the machine before performing any adjustments to the work platforms.**



### WARNING:

FIRST DISCONNECT THE MACHINE FROM ITS AC POWER SOURCE. A **COMPETENT ELECTRICIAN SHOULD PERFORM ALL ELECTRICAL WORK ON THE MODEL 760.**

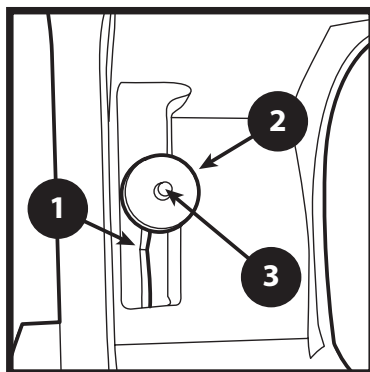
1. Reverse the motor direction of a three phase motor by reversing any two legs of the input power lines.

2. Reverse the motor direction of a single phase motor by reversing leads 5 and 8 found within the metal wiring box located on the motor, or as otherwise instructed on the actual motor label.



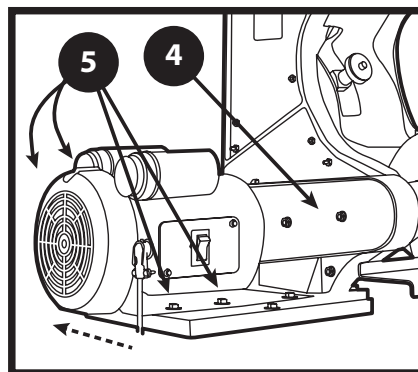
## MAINTENANCE

- Every thirty days apply light machine oil to the rear wheel support and the Tension Arm Interface. (Figure 9) Two drops of oil is sufficient.



**FIGURE 9**

- Every thirty days check the v-belt tension. If you can hear the belt “slap” the V-belt Guard (Item 4, page 5) when the drive motor starts, the v-belt requires re-tensioning. Do this by loosening the four bolts (Figure 10) that secure the motor to the machine base and slide the motor toward the rear of the machine. Tighten the four bolts.



**FIGURE 10**

- Vacuum daily or otherwise remove dust and debris build-up from the machine and the machine belt track.

There are no other maintenance actions required. All bearings are sealed for life and require no additional lubrication.

- ❶ REAR WHEEL SUPPORT AND TENSION ARM INTERFACE (INSIDE HOUSING BELOW TENSIONING HANDLE)
- ❷ TENSIONING HANDLE
- ❸ TENSIONING BUTTON
- ❹ V-BELT GUARD
- ❺ FOUR MOTOR BOLTS



### WARNING:

DISCONNECT THE MACHINE FROM ITS AC POWER SOURCE BEFORE BEGINNING ANY MAINTENANCE.

## ALIGNING IDLER WHEELS

When idler wheels are removed and/or replaced they must be installed such that they are in proper alignment. Failure to properly align the idler wheels will result in premature failure of the wheels. Premature failure will be evidenced by outer diameters being excessively worn such that the wheels lose their factory crown, wear to a truncated form, or become out of balance. Misalignment results in wear that is analogous to front tire wear when the front steering mechanism of an automobile is misaligned. The upper idler equates to the front wheels of the car. If either idler wheel is misaligned to each other or to the contact wheel, excessive and irregular wear will occur.

The upper and rear idler wheels must operate in the same plane. This means that when they are correctly aligned a plane passing through the radial center of the upper wheel will exactly pass through the radial center of the rear wheel. Machines are shipped from the factory with wheels of the same width. Currently, model 760 machines are shipped with wheels that are 1.5 inches wide. The model 760 also has available contact wheels 0.5, and 2.0 inches wide, along with corresponding belts. Contact your OREGON® distributor for details.

1. Disconnect electric power and remove the abrasive belt.
2. Install the rear idler such that its inside bearing surface is approximately 0.06 inches out from the wheel support. Secure the wheel with locking set screw. (Figure 11)
3. Install the upper wheel such that its inner bearing surface is approximately 0.06 inches out from its bearing support. Secure the wheel with locking set screw. (Figure 12)
4. Loosen the retaining nut that locks the upper idler wheel adjusting screw. (Figure 13) Using screw adjust the upper idler wheel until a straight line representing the plane passing through the center of the upper idler exactly passes through the center of the contact wheel. This line represents the center of belt travel. Note: make certain that the bearing support is against the screw end.
5. Project a line from the upper idler outside rim to the outside rim of the rear idler. Adjust the tracking adjustment knob until the wheels are exactly planar. That is, their radial centers are aligned.
6. Repeat step 3 and 4 until both conditions are satisfied. That is, the upper and rear idlers are aligned to each other and both wheels are aligned to the contact wheel.
7. Tighten the locking nut on the upper idler wheel adjusting screw.
8. Install a new abrasive belt. Roll the belt manually to assure that it will maintain coarse tracking. If the belt does not track manually, repeat the prior steps until it does. If after repeating these steps the belt still will not track, the machine requires other maintenance and/or one or both idler wheels require replacing. The wheels should be replaced in pairs.
9. Apply electric power to the machine and verify that the tracking adjustment knob (Item 9, pg. 5) will sweep the belt across the face of the contact wheel. At least ½-inch adjustment in both directions from center should be possible.

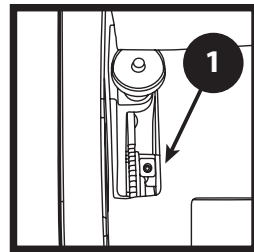


FIGURE 11

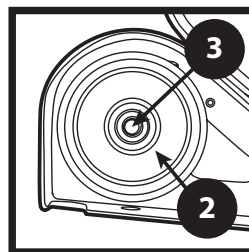


FIGURE 12

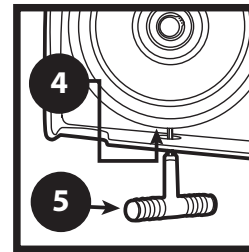


FIGURE 13

- 1 LOCKING SET SCREW, REAR IDLER WHEEL
- 2 UPPER WHEEL
- 3 LOCKING SET SCREW, UPPER IDLER WHEEL
- 4 RETAINING NUT, UPPER IDLER WHEEL
- 5 5/32" ALLEN WRENCH



### WARNING:

NEVER PERFORM MAINTENANCE OR ADJUSTMENTS ON YOUR MODEL 760 WITHOUT FIRST DISCONNECTING THE MACHINE FROM ITS SOURCE OF ELECTRIC POWER.

FAILURE TO OBSERVE THIS WARNING MAY LEAD TO SERIOUS PERSONAL INJURY.

## SHARPENING

### Mower blades



Free the blade of any grease, dirt, or clippings prior to sharpening. Check the blades to make sure they are not bent or cracked.

Using a blade balancer, check the blade for its balance. When sharpening start by grinding the light end of the blade and then follow with the heavy end.

Move the blade in one direction only. Assuming that you have a standard mower blade, your direction would be from left to right. Rest blade on table, gently move blade into rotating wheel and draw the blade to the right. Multiple passes are required to achieve the edge desired. Minimal pressure to the contact wheel is recommended. The idea is to have the belt do the cutting, not by using force against the contact wheel. Make rapid passes, each pass should only take seconds in total time. If you are not moving the blade across the wheel in a rapid fashion, you will create hot spots in the blade, and the blade will not move easily across the wheel.

After sharpening the first edge, use the slack area of the belt to remove any burrs that may have been created in the sharpening procedure. Next, move to the second edge and repeat the procedure. Check the balance of the blade to ensure proper stock removal.

### Mulching blade sharpening



Remove the vertical platen by removing the two Allen bolts that attach it to the contact wheel guard. It is important to

readjust the contact wheel guard to remove the pinch point created by removing the platen. By removing the platen you create a large "slack" free belt area. By using a flexible back belt (J weight) or a narrow stiff back belt you will be able to use the slack area to sharpen the blade. The operator will freehand the desired angle. After sharpening the first edge, use the slack area of the belt to remove any burrs that may have been created in the sharpening procedure. Next, move to the second edge and repeat the procedure. Check the balance of the blade to ensure proper stock removal.

### Rotary-style offset flail blade sharpening



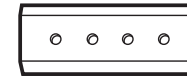
Free the blade of any foreign substances. Depending on style of the blade, balancing the blade

maybe different than described in this manual. Most rotary blades can be balanced using a simple balance-style scale. Since there is no other way to check for balance due to the offset hole style of the blades, use of a scale is to make sure that the blades are all equal in mass. Using a scale allows you to make sure each blade weighs the same amount, keeping the blades in balance.

You may also choose to check the blades using a standard scale. Once again, start with the lightest blade and then sharpen the heavier blade, checking the blades for balance.

Attach the galvanized tubing (Item 1, page 12) to the worktable, using two button head black oxide screws (Item 18, page 12) and two keps nuts (Item 14, page 12). This changes the angle for the rotary-style blade to a factory recommended angle. As with mower blades, it is recommended to move the blade in one direction only. If the blade has deep chips, use the contact wheel to "face the blade." Move up on the contact wheel a couple of inches to the centerline and run the blade back and forth several times to even the edge of the blade. Next you will rest the blade against the tubing and start the sharpening process. Again, use only light inward pressure. The belt and speed of the belt will do all the work for you.

### Chipper blade sharpening



Free the blade of any foreign substances. Depending on style of the blade, balancing the blade maybe different than described

in this manual. Most chippers require all blades to be the same height. Start with the shortest blade and use it for a reference, then move on to the others in the set.

Only sharpen blades that are long and wide enough to safely hold on to. As with any sharpening process on the grinder move only in one direction and apply minimal inward force.

### GRINDING BELTS

OREGON recommends using only a 3M or Norton 24 or 36 grit ceramic belts to sharpen blades using the blade attachment. (3M 987FI or Norton Blaze R980.) These belts contain cooling aids and are constructed for heavy stock removal. Replacement belts can be ordered from your OREGON® distributor.

Remove any burrs on the back of the blade by making a couple of passes on the slack portion of the belt. This will reduce the effort required when moving the blade across the table.



### WARNING:

If a belt is damaged or shows excessive wear, immediately stop use of the belt and discard it.

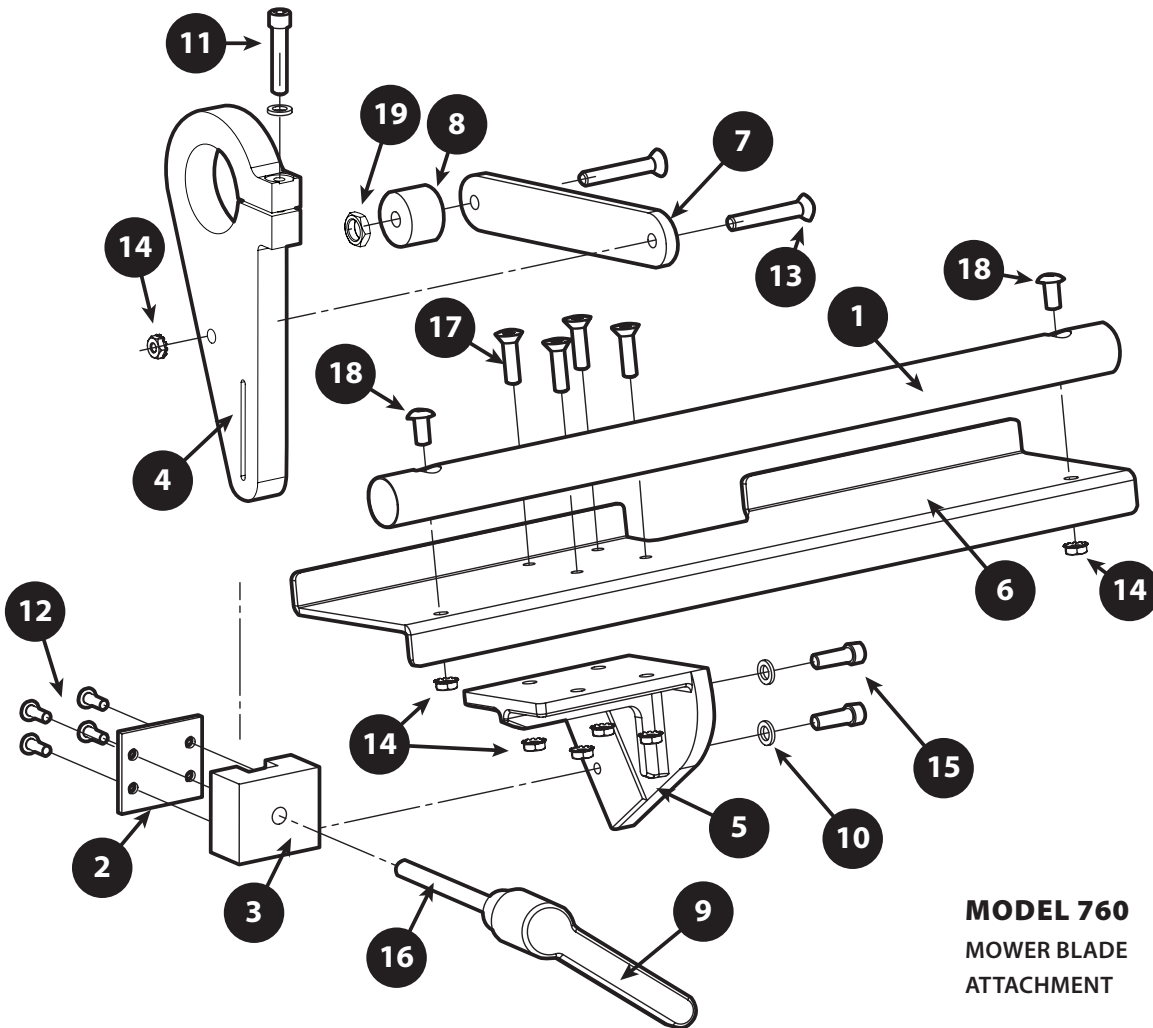
# Replacement Parts

## AVAILABLE PARTS

Please refer to the parts drawing when ordering parts. Not all components of the attachments are replacement items, but are illustrated as a convenient reference of location and position in the assembly sequence. When ordering parts, give grinder model number, part number and description of part.

Call or write for current pricing:

Oregon Outdoor Equipment Parts,  
 OREGON®, Blount, Inc., P.O. Box 22127,  
 Portland, Oregon 97222, 800-223-5168, or you can contact  
 us by email at [technicalservices@oregonproducts.com](mailto:technicalservices@oregonproducts.com)

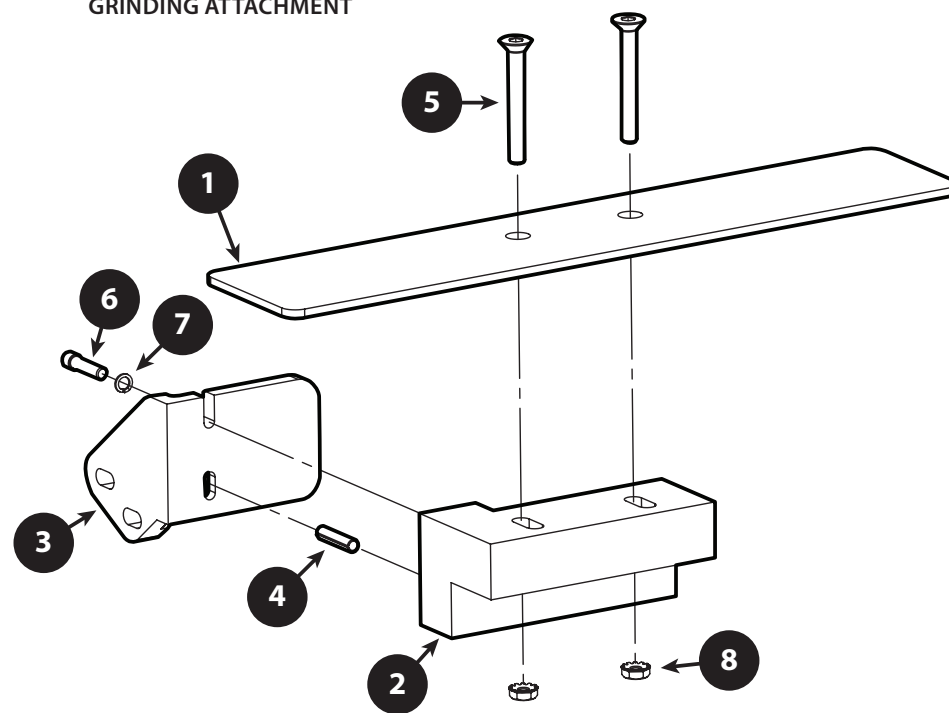


**MODEL 760**  
 MOWER BLADE  
 ATTACHMENT

ITEM #	PART #	DESCRIPTION
1	9602	Angle Tube
2	9605	Alignment Plate
3	9606	Guide Block
4	9607	Workrest Support Arm
5	9608	Platen Bracket
6	9609	Work Table
7	9610	Arm Bracket
8	9611	Block Bracket
9	1203	Attachment Locking Lever
10	5	1/4" Washer
11	31	Screw, 1/4"-20 x 1-1/4"
12	9	Button Head Black Oxide Screw, 10-24x1/2"
13	6	Flathead Screw, 1/4"-20x1-1/2"
14	4-0013	Kep Nut, 1/4"-20
15	209	Allen Head Screw, 1/4"-20 x 3-3/8"
16	711B	Plated Shaft, 5/16"-18 x 3-3/8"
17	5-0046	Flathead Screw, 1/4"-20 x 1-3/4"
18	2-0014	Button Head Black Oxide Screw, 1/4"-28 x 1/2"
19	4-0009	Plated Jam Nut, 3/8"-16

ITEM #	PART #	DESCRIPTION
①	9603	Chain Saw Bar Grinding Platen
②	9604	Aluminum Block
③	9613	Platen Bracket
④	6-0001	Roll Plated Pin, 3/16" x 1"
⑤	6	Flathead Screw, 1/4"-20 x 1-1/2"
⑥	13	Cap Head Allen Screw 10-24 x 3/4"
⑦	5-0049	High Collar Lock Washer, #10
⑧	4-0013	Kep Nut, 1/4"-20

**PART # 88-116**  
CHAIN SAW BAR  
GRINDING ATTACHMENT



# Warranties

---

## **THE OREGON® CUSTOMER-SATISFACTION POLICY LIMITED WARRANTY**

OREGON® | Blount, Inc. warrants its products to be free from defects in materials and workmanship for as long as they are owned by the original retail purchaser.

If you like our products, please tell your friends. If you are not satisfied with our products, for any reason, please tell us. OREGON wants to provide you with products that perform to your full satisfaction. We welcome you to contact us as shown in the last paragraph.

LIABILITY UNDER THIS WARRANTY IS LIMITED TO REPLACEMENT PARTS, AT THE OPTION OF YOUR OREGON DISTRIBUTOR AND OREGON. PLEASE CONTACT YOUR OREGON DISTRIBUTOR OR US DIRECTLY. OREGON PRODUCTS ARE NOT WARRANTED AGAINST NORMAL WEAR AND TEAR, USER ABUSE, IMPROPER MAINTENANCE OR IMPROPER REPAIR. REPLACEMENT OF DEFECTIVE PRODUCT IS THE EXCLUSIVE REMEDY UNDER THIS WARRANTY AND ANY APPLICABLE IMPLIED WARRANTY. THE REPLACEMENT WILL BE UNDERTAKEN AS SOON AS REASONABLY POSSIBLE AFTER RECEIPT OF THE DEFECTIVE PRODUCT. TO THE EXTENT PERMITTED BY LAW, ANY IMPLIED WARRANTY OF MERCHANTABILITY OR FITNESS FOR A PARTICULAR PURPOSE APPLICABLE TO THIS PRODUCT IS LIMITED TO THE DURATION AND SCOPE OF THIS EXPRESS WARRANTY. OREGON SHALL NOT BE LIABLE FOR ANY CONSEQUENTIAL OR INCIDENTAL DAMAGES. SOME STATES DO NOT ALLOW LIMITATIONS ON HOW LONG AN IMPLIED WARRANTY LASTS OR DO NOT ALLOW THE EXCLUSION OF CONSEQUENTIAL DAMAGES, SO THE ABOVE LIMITATION OR EXCLUSION MAY NOT APPLY TO YOU. THIS WARRANTY GIVES THE ORIGINAL OWNER SPECIFIC LEGAL RIGHTS, AND YOU MAY ALSO HAVE OTHER RIGHTS WHICH VARY FROM STATE TO STATE.

To contact us in the U.S.A. regarding OREGON Outdoor Equipment Parts (lawnmower blades and replacement parts for small engines, lawnmowers and many other types of outdoor power equipment), we welcome your calls between the hours of 7:30 a.m. and 4:30 p.m. (Pacific Time), Monday through Friday at 800-223-5168, or you can write to: Technical Services Department, Oregon Outdoor Equipment Parts, OREGON, Blount, Inc., P.O. Box 22127, Portland, Oregon 97222, or you can contact us by email at [technicalservices@oregonproducts.com](mailto:technicalservices@oregonproducts.com).





# Exigences de sécurité



## SÉCURITÉ DE L'OPÉRATEUR ET DE LA ZONE D'UTILISATION

Les équipements couverts dans ce manuel incluent les affûteuses, les ponceuses, les polisseuses et les autres équipements rotatifs. De graves blessures et la mort peuvent survenir si un minimum de précautions de sécurité ne sont pas comprises et suivies par les opérateurs et les autres personnes se trouvant dans la zone de l'équipement. Les personnes qui utilisent ou qui se trouvent près de l'équipement doivent avoir reçu une formation appropriée et appliquer des précautions de sécurité ainsi que suivre les procédures prévues pour la machinerie.



**LES ÉQUIPEMENTS DE PROTECTION INDIVIDUELLES TELS QUE DES GANTS D'AFFÛTAGE, DES DISPOSITIFS DE PROTECTION POUR LES OREILLES ET DES LUNETTES DE SÉCURITÉ DOIVENT ÊTRE PORTÉS LORS DE L'UTILISATION DE CET ÉQUIPEMENT. INFORMEZ-VOUS AUPRÈS DE LA PERSONNE RESPONSABLE DE LA SÉCURITÉ DE VOTRE ENTREPRISE AU SUJET DES AUTRES EXIGENCES DE SÉCURITÉ.**

**NE JAMAIS UTILISER L'ÉQUIPEMENT SI UNE FORMATION APPROPRIÉE SUR SON FONCTIONNEMENT ET SON USAGE SÉCURITAIRES N'A PAS ÉTÉ SUIVIE! EN CAS DE DOUTE, ARRÊTER LE TRAVAIL ET DEMANDER DES CONSEILS!**

## VOICI LES EXIGENCES DE SÉCURITÉ MINIMUM POUR L'UTILISATION OU LE TRAVAIL À PROXIMITÉ DE L'ÉQUIPEMENT :

1. Lire et s'assurer de comprendre toutes les directives d'utilisation, les manuels, les étiquettes ainsi que les autres renseignements fournis avec l'équipement.
2. Installer l'équipement conformément aux directives du fabricant.
3. L'installation électrique doit être conforme aux codes et règlements applicables.
4. Fixer solidement l'équipement à une surface de montage rigide ayant une structure fiable.
5. Ne pas exposer la meule à la pluie ni utiliser la meule dans un endroit humide ou mouillé. Ne pas utiliser la meule si le cordon d'alimentation est endommagé ou mouillé.
6. Ne pas porter de vêtements amples ni de bijoux. Il est recommandé de porter des chaussures antidérapantes lors du travail avec la meule. Porter des dispositifs de protection pour les cheveux qui peuvent contenir les cheveux longs. Porter des équipements et des vêtements de sécurité appropriés pour protéger les yeux, les mains, le visage, les bras, les jambes, les pieds et le corps contre les débris projetés, des morceaux éjectés avec force et des bandes abrasives cassées.
7. Utiliser des lunettes de sécurité. Les lunettes régulières ne sont pas dotées de lentilles qui résistent aux impacts.
8. L'opérateur ne doit pas utiliser cet équipement lorsqu'il est fatigué ou sous l'influence de l'alcool ou de drogue.
9. Réviser et s'assurer de bien comprendre tous les dispositifs de protection de la machine, les ajustements et les points d'exposition potentiels pouvant entraîner des blessures.
10. Ne pas enlever, ni modifier de quelque façon les dispositifs de protection et les autres caractéristiques de sécurité.
11. Il est interdit d'utiliser des meules en pierre ou en verre sur toute meule à bande OREGON. Les dispositifs de protection de meule ne conviennent pas à ces types de meules.
12. S'assurer du bon ajustement et du maintien de l'ajustement conformément aux exigences du fabricant.
13. Garder l'équipement en bon état d'utilisation.
14. Demander à une personne connaissant l'utilisation appropriée et sécuritaire de l'équipement de démontrer l'utilisation appropriée et sécuritaire à tous les opérateurs ainsi qu'aux personnes qui pourraient se trouver à proximité de l'équipement.
15. Porter toujours des gants et utiliser des pièces de retenue lorsque c'est possible afin de réduire le risque que ces personnes ne viennent en contact avec des pièces mobiles de la machine ou des étincelles et des débris en provenance de la machine.
16. Garder toujours les cordons électriques à l'écart des pièces rotatives et des bandes en mouvement.
17. Ne pas utiliser la meule près de liquides ou de gaz inflammables. Des étincelles provenant de la meule peuvent provoquer un incendie.
18. Utiliser un dispositif d'arrêt d'étincelles et de débris. Ces appareils doivent être connectés de façon à contenir la poussière et les débris générés et éliminer les étincelles en limitant ainsi le risque d'inhalation par des personnes ainsi que le risque d'un incendie et d'une explosion.
19. Utiliser un appareil d'inhalation approprié pour protéger les personnes contre l'ingestion et l'inhalation d'étincelles, de débris, de fumées et de particules.
20. Éviter de mêler différents métaux, alliages et matériaux. Le mélange de ces matériaux peut provoquer un risque d'incendie et d'explosion.
21. Protéger les personnes des pièces, des particules, etc. qui pourraient être éjectées de la machine. Par exemple, une meule à polir ou une meule à bande peut «emprisonner» une pièce pendant qu'elle est affûtée, polie, meulée ou autrement travaillée en entraînant une éjection forte vers l'opérateur ou les personnes se trouvant à proximité. Utiliser un tablier en cuir, des gants et des dispositifs de protection pour les yeux sont des exemples de dispositifs de protection pouvant être efficaces. De façon générale, ne pas affûter, poncer ou engager autrement une surface de bande, de meule ou de disque en mouvement avec une pièce travaillée en direction du déplacement de la bande, de la meule ou du disque. Cependant, si l'opérateur décide de le faire, il doit être conscient que la pièce peut se loger

dans la bande, la meule ou le disque en mouvement et être éjectée dangereusement avec force.

22. Ne pas utiliser cette machine si l'intervalle (point de pincement) entre une bande, une meule ou un disque et la surface de support excède 3,175 mm.
23. Ne pas utiliser cette machine si l'intervalle entre la bande, la meule ou le disque abrasif et la surface adjacente à la surface d'appui (ou la table) permet le passage de la pièce par l'intervalle (point de pincement). Prendre note que certains alliages tels que le titane peuvent créer des conditions dans lesquelles les débris de meulage s'accumulent dans un intervalle restreint en créant un risque d'incendie. **En cas de doute, s'informer auprès de la personne responsable de la sécurité.** Manquer de se conformer à cet avertissement peut entraîner l'emprisonnement de la pièce travaillée ou d'autres éléments dans cet intervalle et une éjection avec force. Manquer de tenir compte de cet avertissement peut entraîner des blessures graves à l'opérateur et aux personnes environnantes.
24. Ne jamais placer la table d'appui à un angle aigu entre le haut de la table d'appui et la bande ou la meule en mouvement. Cela entraînerait un point de pincement qui peut provoquer des blessures graves si une partie du corps de l'opérateur se faisait prendre (attiré) dans le point de pincement créé par l'angle aigu.
25. Ne pas utiliser ni ne laisser d'autres personnes utiliser cet équipement sans avoir reçu une formation appropriée préalable sur ces exigences ainsi que les autres sur la sécurité reliée aux machineries rotatives.
26. Déconnecter la source d'alimentation lorsque la meule n'est pas utilisée.

27. Ne pas effectuer d'entretien sur l'équipement à moins d'être qualifié pour le faire et d'être assuré de bien comprendre toutes les exigences de sécurité et d'utilisation pertinentes.
28. Ne pas laisser la machine sans surveillance lorsqu'elle est en marche.
29. Corriger immédiatement tout problème d'équipement ou de sécurité. Ne pas utiliser la machine lorsqu'elle nécessite de l'entretien ou une correction.
30. Installer et utiliser des bandes, meules, disques abrasifs et autres de haute qualité convenant à la machine.
31. S'assurer de comprendre et de suivre toutes les exigences d'utilisation fournies par le fabricant de ces équipements.

### AVERTISSEMENT RELIÉ À LA VITESSE DE ROTATION, ROUES DE CONTACT

Portée : Les roues de contact fabriquées par OREGON sont dotées de pneus en caoutchouc ou en uréthane. Par exemple, les codes de stocks 202, 302, 402, 502, 702, 802, 902, 1002, 1202 et les variantes. Les variantes ont des codes de stock qui commencent par le numéro de base, par exemple 802-5-55 est une variante 802.

Nous avertissons les utilisateurs de ne pas excéder le nombre de tours par minute (tr/min) des meules. Manquer de tenir compte de cet avertissement peut entraîner un décollement, une fragmentation ou une autre défaillance mécanique. Ces défaillances peuvent entraîner des blessures graves à l'opérateur ou aux personnes environnantes ainsi que des dommages.

CODE DE STOCK	TR/MIN MAXIMUM
202, 302	10 000
402, 502, 702 802	4 400
902, 1002	3 000
1202	2 200

### EXPOSITION AUX BRUITS SUR LE LIEU DU TRAVAIL

Les produits OREGON produisent des niveaux de bruit correspondant à leurs utilisations prévues. Le niveau et le contenu du spectre de bruit produit dépendent du type de produit, du degré auquel le produit est gardé en bon état d'utilisation, le type d'abrasif et les accessoires utilisés, l'application spécifique et le milieu environnant.

Les niveaux de bruits produits par différentes meules OREGON, tels que mesurés à l'usine s'échelonnent de 80 à 93 décibels. Les opérateurs de produit ainsi que les personnes se trouvant à proximité doivent se protéger contre les niveaux de bruits excessifs tel que prescrit dans le règlement de l'OSHA 29CFR Partie 1910.95 intitulé Exposition aux bruits sur le lieu du travail.



#### AVERTISSEMENT :

**LES ÉQUIPEMENTS ROTATIFS PEUVENT PRÉSENTER DES DANGERS POUR LES OPÉRATEURS ET LES PERSONNES SE TROUVANT À PROXIMITÉ. LES ACHETEURS, LES DIRECTEURS ET LES OPÉRATEURS DE CET ÉQUIPEMENT ONT LA RESPONSABILITÉ DIRECTE ET ABSOLUE DE S'ASSURER DE BIEN COMPRENDRE ET DE SE CONFORMER AUX EXIGENCES DE SÉCURITÉ MINIMUM LORS DE L'UTILISATION.**

**OREGON se dégage de toute responsabilité reliée à des blessures, des dommages, des pertes de revenus ou d'autres conséquences néfastes pouvant toucher les acheteurs, les directeurs et les opérateurs de cet équipement.**

Si vous avez des questions ou des préoccupations reliées à la sécurité de l'utilisation de l'équipement, veuillez téléphoner à votre distributeur autorisé OREGON, ou à Technical Services Department, Oregon Outdoor Equipment Parts, OREGON®, Blount, Inc., P.O. Box 22127, Portland, Oregon 97222, au 800-223-5168 et vous pouvez aussi nous envoyer un courriel à [technicalservices@oregonproducts.com](mailto:technicalservices@oregonproducts.com).



## ÉVITER LES BLESSURES :

La sécurité de l'opérateur et la continuité de l'efficacité de votre modèle 760 exigent de :

- **Ne pas modifier** les gardes de sécurité et les autres dispositifs de sécurité du modèle 760.
- **Ne pas utiliser** le modèle 760 alors qu'une garde de sécurité est ouverte ou que la garde/plateau de la roue de contact (ou l'accessoire de meulage interne) est retiré(e).
- **Ne pas passer** les mains à travers les gardes de sécurité lorsque la machine est en marche. Cela pourrait être dangereux.

- **Ne pas utiliser** de fluides dans le processus d'affûtage à moins que le modèle 760 ne soit conçu pour un fonctionnement avec des liquides. (NEMA 4, 4X). Cela pourrait créer un risque de sécurité de nature électrique.
- **Ne pas utiliser** le modèle pour affûter/polir des matériaux explosifs à moins qu'il ne soit doté de dispositifs électriques et d'un moteur à l'épreuve des explosions.
- **Ne pas mêler** des alliages pour l'affûtage. Cela pourrait créer un risque d'explosion et d'incendie.
- **Ne pas utiliser** de meules en pierre ou en vitre sur le modèle 760. Cela pourrait entraîner un risque de sécurité pour l'opérateur.

- **Porter** des équipements de protection pour les yeux, les mains, le visage, les bras, les jambes, les pieds et le corps appropriés contre les débris projetés, des morceaux éjectés avec force, des bandes abrasives cassées, etc.
- **Former les opérateurs** et les autres personnes concernées sur les pratiques d'utilisation sécuritaires.

**AFFICHER CES DIRECTIVES OU AUTRES DIRECTIVES ÉQUIVALENTES DE SORTE QU'ELLES SOIENT DISPONIBLES À DES FINS DE RÉFÉRENCE RAPIDE POUR L'OPÉRATEUR.**

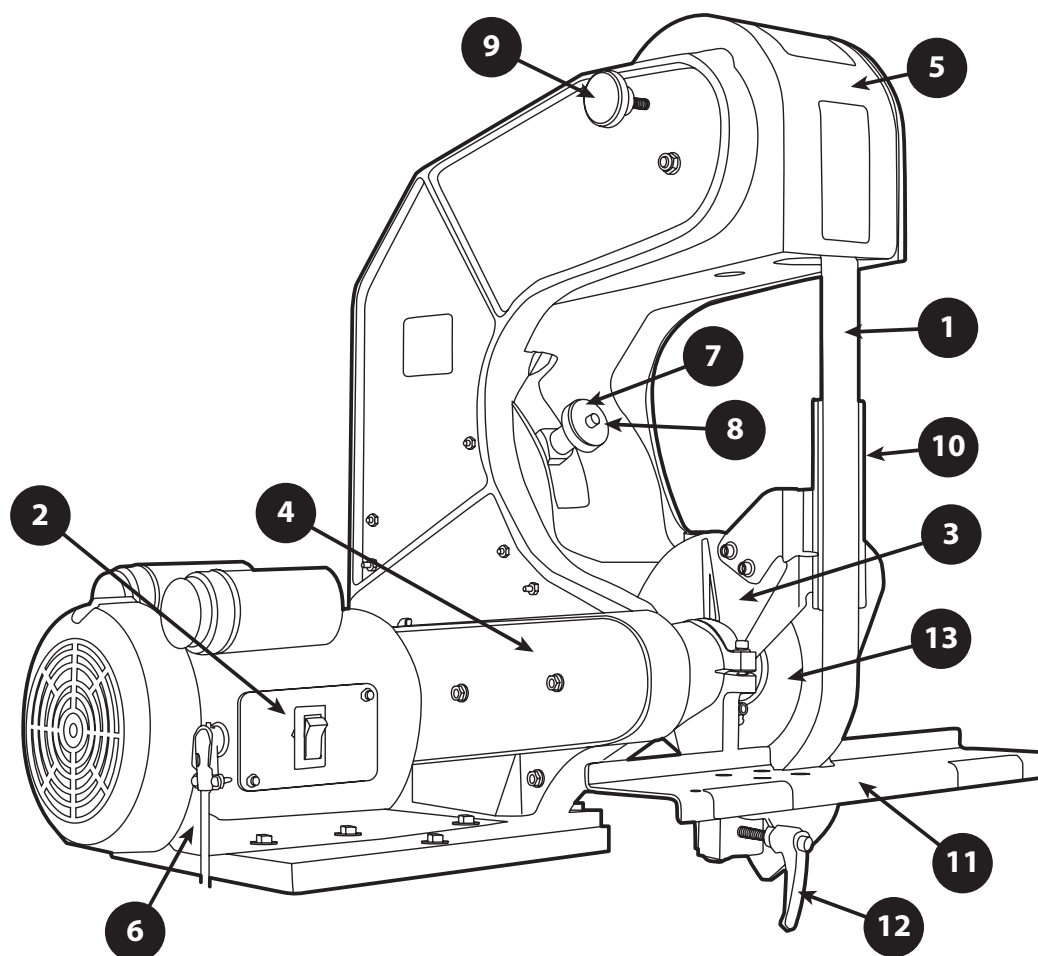
**PIÈCES DISPONIBLES**

Veillez vous référer aux schémas des pièces lors de la passation de commande. Les composants de la meule ne sont pas tous remplaçables, mais ils sont tous illustrés à titre de référence pratique pour déterminer leur emplacement. Lors de la passation de la commande, veuillez indiquer le numéro de modèle, le numéro de série ainsi que la description.

Veillez téléphoner ou écrire pour connaître le prix :

Oregon Outdoor Equipment Parts, OREGON®, Blount, Inc.,  
P.O. Box 22127, Portland, Oregon 97222, 800-223-5168 et  
vous pouvez aussi nous envoyer un courriel à  
technicalservices@oregonproducts.com

ARTICLE	N° DE PIÈCE	DESCRIPTION
❶	88-111	Bande abrasive, 1-1/2 po x 60 po 36 g
	88-112	Bande abrasive, 1-1/2 po x 60 po 120 g
❷	011C	Interrupteur marche-arrêt
❸	703-3	Garde de roue de contact
❹	728	Garde de courroie en V
❺	742A-1	Garde de sécurité
❻	015-2	Cordon d'alimentation C.A.
❼	737A	Poignée de mise en tension
❽	737B-1	Bouton de mise en tension
❾	771	Bouton d'ajustement de positionnement
❿	704A	Plateau vertical
⓫	9609	Accessoire de lame de tondeuse
⓬	1203	Levier de verrouillage d'accessoire
⓭	702	Roue de contact



## Avant l'utilisation



AVANT D'UTILISER TOUT ÉQUIPEMENT, VEUILLEZ LIRE ET RÉVISER TOUTES LES DIRECTIVES DE SÉCURITÉ POUR LE MODÈLE 760 DE OREGON®.

LES ÉQUIPEMENTS DE PROTECTION INDIVIDUELS TELS QUE DES GANTS D'AFFÛTAGE, DES DISPOSITIFS DE PROTECTION POUR LES OREILLES ET DES LUNETTES DE SÉCURITÉ DOIVENT ÊTRE PORTÉS LORS DE L'UTILISATION DE CET ÉQUIPEMENT. INFORMEZ-VOUS AUPRÈS DE LA PERSONNE RESPONSABLE DE LA SÉCURITÉ DE VOTRE ENTREPRISE SUR LES AUTRES EXIGENCES DE SÉCURITÉ.

### AVERTISSEMENT :

PRENDRE DES PRÉCAUTIONS LORS DU LEVAGE DE LA MEULE. DEUX PERSONNES SONT REQUISES POUR LE RETRAIT DE LA MACHINE DE LA BOÎTE D'EXPÉDITION.



Avant d'utiliser le modèle 760, veuillez prendre le temps d'effectuer la procédure suivante :

1. S'assurer d'avoir reçu tous les articles commandés. Comparer le bordereau de marchandises à votre bon de commande et vérifier physiquement les articles reçus.
2. Vérifier qu'il n'y a pas de dommage dû au transport. Si des dommages sont survenus pendant le transport, aviser le transporteur de votre intention de présenter une réclamation pour les dommages dus au transport. Le transporteur vous donnera de l'assistance.
3. Vérifier que l'alimentation C.A., identifiée sur la machine comme reçue correspond à l'alimentation

La meule à bande de modèle 760 est une meule à bande à trois roues d'acheminement qui utilise une bande abrasive à boucle continue de 1-1/2 po x 60 po. **Pour obtenir une efficacité maximum et assurer la sécurité de l'opérateur, utiliser des bandes abrasives fabriquées par des fabricants reconnus.**

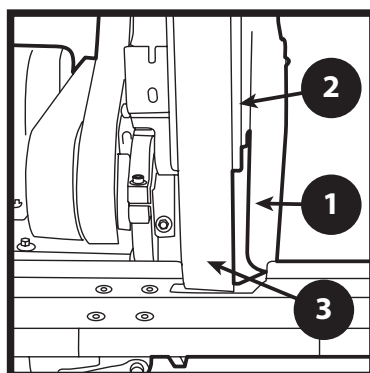


FIGURE 1

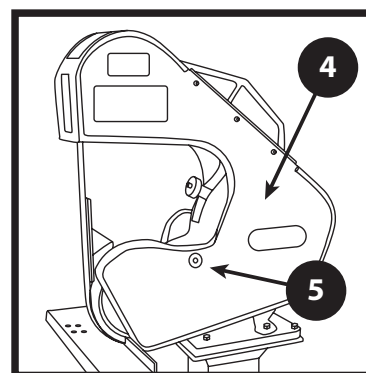


FIGURE 2

- 1 GARDE DE ROUE DE CONTACT
- 2 PLATEAU VERTICAL
- 3 BANDE ABRASIVE
- 4 PORTE DE GARDE DE SÉCURITÉ
- 5 VERROU DE PORTE

C.A. qui sera utilisée pour faire fonctionner la machine. Ne pas modifier le câblage de la machine sans avoir préalablement communiqué avec le distributeur et/ou OREGON.

4. Ne pas modifier les caractéristiques de sécurité du câblage C.A. Ne jamais retirer la broche de mise à la terre de la fiche C.A.
5. S'assurer d'avoir reçu un **mode d'emploi**.
6. Vérifier si les différentes gardes sont en place et en état de marche. (Consulter l'illustration, page 19.)
  - a. La garde de roue de contact et le plateau vertical sont montés et ajustés de sorte que le plateau touche légèrement à l'endos de la bande abrasive (Figure 1). Consulter la page 21 au sujet des directives complètes pour l'installation.
  - b. La garde de sécurité en entier est en place, fermée et le verrou de sa porte est fonctionnel de sorte qu'il garde solidement la porte de sécurité fermée. (Figure 2).
7. Avant d'utiliser le modèle 760, prendre le temps de lire attentivement le **mode d'emploi**. S'assurer que toutes les personnes qui utiliseront le modèle 760 ou

Utiliser les bandes abrasives de la dimension et du type convenant à la machine.

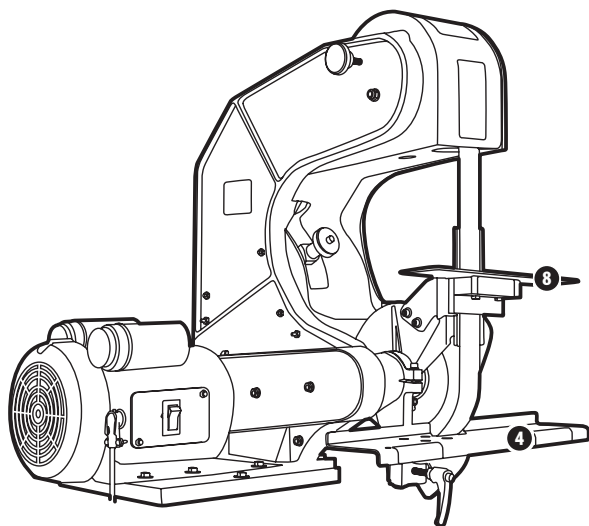
- Ne pas utiliser des bandes abrasives vieilles ou excessivement usées.

qui travailleront à proximité du modèle 760 lisent, comprennent et se conforment à ces directives.

8. S'assurer que la meule est placée à un endroit qui procure un accès libre à la machine de sorte que les opérateurs aient un accès sécuritaire et non obstrué à la machine. Le site de travail doit être libre d'obstructions, de points de trébuchement et d'autres éléments qui pourraient réduire la sécurité de l'opérateur.
9. OREGON recommande que toutes les installations à trois phases incluent un démarreur magnétique. Les démarreurs magnétiques protègent les moteurs contre le « phasage simple », la surchauffe, etc.; réduisant ainsi le risque de dommage à l'équipement et le risque d'incendie aux installations.
10. S'assurer que la source d'alimentation C.A. du modèle 760 soit de la bonne valeur nominale et comporte les fusibles appropriés. Un électricien compétent devrait être consulté ou il est aussi possible de téléphoner à OREGON pour obtenir de l'assistance.

- Ne pas utiliser des bandes abrasives dotées de joints de recouvrement. Les bandes à joints de recouvrement ont tendance à se séparer. Elles peuvent aussi avoir tendance à accrocher les matériaux travaillés et créer un risque de sécurité en accrochant et en éjectant des matériaux travaillés vers l'opérateur.





## MONTAGE

La machine a été assemblée et a fait l'objet de nombreuses vérifications de la qualité avant son expédition. L'accessoire de lames de tondeuse est entièrement assemblé.

1. Ouvrir la porte de couvercle de roue et retirer la roue de contact à l'aide d'une clé à douille de 15/16 pouce. (Figure 3)
2. Placer le bras de support de la table dans sa position abaissée.

3. À l'aide d'une clé de 7/16 po et d'une clé Allen de 5/32 po, retirer le boulon du bras de support de la table et fixer la barre de support au bras de support de la table.
4. À l'aide d'une clé Allen de 3/16 po, serrer le boulon du bras de support de la table.
5. À l'aide d'une clé Allen de 3/16 po, retirer les deux vis du bloc de montage du bras de support de la table et fixer la table de support de lames de tondeuse. Fixer solidement en s'assurant de placer des rondelles sur la partie externe du support de la table de support de lames de tondeuse. (Figure 4)
6. Replacer la roue de contact à l'aide d'une douille de 15/16 pouce. Ce sera un ajustement serré, procéder donc avec soin et utiliser un peu d'huile de lubrification au besoin.

9. S'assurer que la tension de la bande abrasive est appropriée. Pour ce faire, lever la poignée de mise en tension (Figure 5). Vous entendrez un son mécanique alors que la clé de mise en tension se déplace. De façon générale, la tension de la bande est appropriée lorsque vous entendez de trois à huit sons. Pour diminuer ou relâcher la tension de la bande, soulever légèrement la poignée de mise en tension puis appuyer sur le bouton au centre de la poignée de mise en tension. Abaisser légèrement la poignée de mise en tension pour réduire la tension de la bande ou complètement en bas pour relâcher la tension de la bande.
10. Tourner la bande à la main pour la centrer sur les roues.
11. Fermer la porte du couvercle de roue.
12. Fixer la table d'affûtage du guide de scie à chaîne au plateau vertical à l'aide de deux boulons. (Figure 6).

## INSTALLATION DE LA BANDE

7. Installer une bande de grains 36 sur les trois roues et la courroie de mise en tension en faisant pivoter le bouton de mise en tension vers le haut.
8. Faire pivoter le plateau vertical en position de sorte que la bande touche légèrement le plateau vertical. À l'aide d'une clé Allen de 3/16 po, serrer les vis afin de fixer le plateau vertical au châssis du roulement.

## AJUSTEMENT DE L'ACCESSOIRE

Contrairement à une meule à pierre, le diamètre de contact de la roue de contact demeure à peu près le même au cours de la durée de vie de la roue. Puisque le diamètre de la roue demeure aussi constant, vous ne devrez ajuster la hauteur de la table que rarement. Un autre avantage à utiliser une bande pour meuler du métal par rapport à une pierre est que le diamètre de la pierre diminue graduellement, la vitesse de la surface se réduit aussi et augmente de ce fait la durée de meulage. La vitesse d'une bande à pierre peut être de 1829 mètres surface par minute lorsque la bande est neuve, mais après une utilisation limitée, le diamètre de la pierre diminue et les temps d'affûtage sont augmentés et la pierre conserve plus de chaleur.

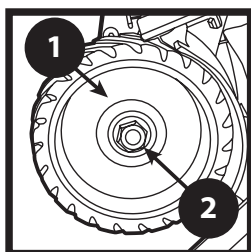


FIGURE 3

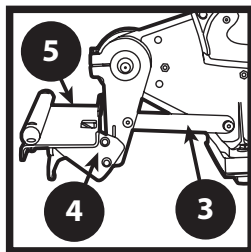


FIGURE 4

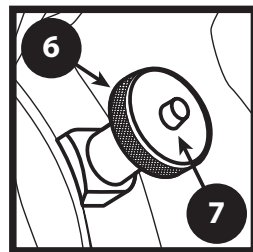


FIGURE 5

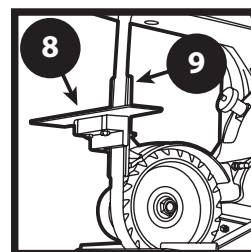


FIGURE 6

- 1 ROUE DE CONTACT
- 2 ÉCROU DE ROUE DE CONTACT
- 3 BRAS DE SUPPORT DE LA TABLE
- 4 TABLE DE SUPPORT DE LAMES DE TONDEUSE
- 5 BARRE DE SUPPORT DE LA TABLE

- 6 POIGNÉE DE MISE EN TENSION
- 7 BOUTON DE MISE EN TENSION
- 8 TABLE DE MEULAGE DU GUIDE DE SCIE À CHAÎNE
- 9 PLATEAU VERTICAL

## VÉRIFICATION DE LA MEULE

Le modèle 760 a subi des tests exhaustifs et sa conformité aux exigences a été vérifiée avant son expédition de l'usine. Vous devriez effectuer la procédure suivante :

1. Ajuster le support de travail et le bras de support de travail à la position désirée à l'aide du levier de verrouillage de l'accessoire. (Figure 7). S'assurer que l'intervalle entre la face de la bande abrasive et l'appui de travail soit de 3,175 mm au maximum.  
**AVERTISSEMENT : Soyez avisé que des sections minces de pièces travaillées peuvent passer à travers cet intervalle si l'intervalle n'est pas correctement ajusté. Des pièces travaillées projetées peuvent entraîner des blessures graves.**
2. Alors que la machine est solidement fixée à la table, au socle et/ou au plancher à l'aide de boulons, connecter l'alimentation C.A. à sa source.

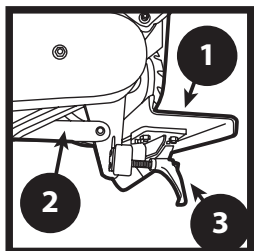


FIGURE 7

- ❶ SUPPORT DE TRAVAIL
- ❷ BRAS DE SUPPORT DE TRAVAIL
- ❸ LEVIER DE VERROUILLAGE D'ACCESSOIRE
- ❹ BOUTON D'AJUSTEMENT DE POSITIONNEMENT

3. Démarrer le moteur en plaçant l'interrupteur de marche-arrêt à la position de marche (ON). La bande devrait tourner librement en sens antihoraire autour des roues d'acheminement de la bande de la machine. Si une de ces conditions n'est pas respectée, arrêter immédiatement la machine.
  - a. Si la bande abrasive ne demeure pas au centre de la roue de contact pendant le mouvement de la courroie, utiliser le bouton d'ajustement de positionnement (Figure 8) situé du côté supérieur gauche de la machine pour ajuster le positionnement de la bande. La bande se déplace vers la gauche lorsque le bouton est tourné en sens horaire et la bande se déplace vers la droite lorsque le bouton est tourné en sens antihoraire.

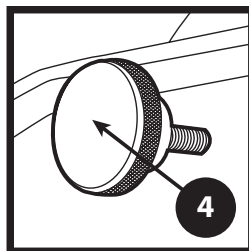


FIGURE 8

b. Si la bande se déplace en sens inverse (à partir du plancher), cette condition doit être corrigée en changeant le sens de rotation du moteur d'entraînement principal. (Voir les instructions ci-dessous.)

c. Lorsque les tensions et le mouvement de la bande abrasive sont appropriés, mais que des vibrations sont observées, **arrêter la machine et téléphoner à OREGON® pour obtenir de l'assistance.**

**Toujours débrancher la machine avant d'effectuer des ajustements aux plateformes de travail.**



### AVERTISSEMENT :

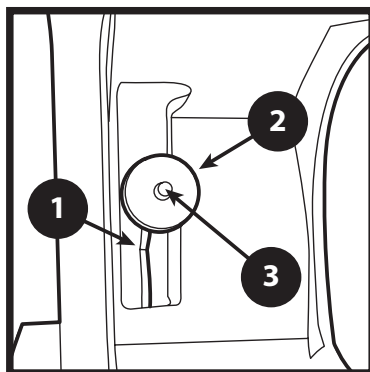
DÉBRANCHER D'ABORD LA MACHINE DE SA SOURCE D'ALIMENTATION C.A. UN ÉLECTRICIEN COMPÉTENT DEVRAIT EFFECTUER TOUS LES TRAVAUX DE NATURE ÉLECTRIQUE SUR LE MODÈLE 760.

1. Inverser le sens de rotation d'un moteur triphasé en inversant les deux cosses des lignes électriques d'entrée.

2. Inverser le sens du moteur d'un moteur monophasé en inversant les conducteurs 5 et 8 situés dans la boîte de câblage en métal placée sur le moteur ou selon les directives inscrites sur le moteur.

**ENTRETIEN**

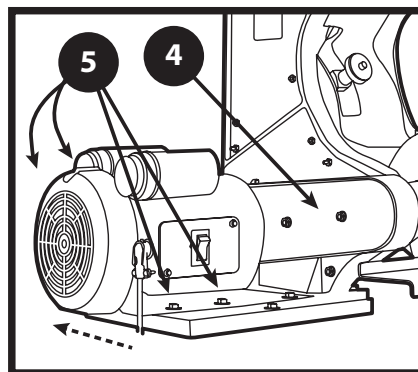
- Tous les 30 jours, appliquer de l'huile machine légère au support de roue arrière et à l'interface du levier de mise en tension. (Figure 9) Deux gouttes d'huile suffisent.

**FIGURE 9**

- Tous les 30 jours, vérifier la tension de la courroie en V. Si la courroie en V émet des bruits de claquement (article 4, page 19) lors du démarrage du moteur, cela signifie que la tension de la courroie en V doit être ajustée. Pour l'ajustement, desserrer les quatre boulons (Figure 10) qui fixent le moteur à la base de la machine et faire glisser le moteur vers l'arrière de la machine. Serrer les quatre boulons.

- Tous les jours, passer l'aspirateur ou enlever l'accumulation de poussière et de débris de la machine et de la rainure de la bande de la machine d'une autre façon.

Aucune autre tâche d'entretien n'est requise. Tous les roulements sont scellés et n'exigent aucune lubrification.

**FIGURE 10**

- ❶ SUPPORT DE ROUE ARRIÈRE ET INTERFACE DU LEVIER DE MISE EN TENSION (À L'INTÉRIEUR DU BOÎTIER, SOUS LA POIGNÉE DE MISE EN TENSION)
- ❷ POIGNÉE DE MISE EN TENSION
- ❸ BOUTON DE MISE EN TENSION
- ❹ GARDE DE COURROIE EN V
- ❺ QUATRE BOULONS DU MOTEUR

**AVERTISSEMENT :**

DÉBRANCHER LA MACHINE DE SA SOURCE D'ALIMENTATION C.A. AVANT DE DÉBUTER L'ENTRETIEN.

## ALIGNEMENT DES ROUES DE TENSION

Lorsque les roues de tension sont retirées et/ou remplacées, elles doivent être installées de façon à obtenir un alignement approprié. Le manquement d'aligner correctement les roues de tensions entraîne une défaillance permanente prématurée des roues. Une défaillance permanente peut être confirmée par des diamètres externes excessivement usés entraînant la perte du galbe de l'usine des roues, une forme tronquée ou un déséquilibre. Un mauvais alignement provoque une usure semblable à une usure de pneus avant lorsque le mécanisme de direction d'une automobile est mal aligné. La roue de tension supérieure correspond aux roues avant d'une automobile. Si une des roues de tension est mal alignée par rapport à l'autre ou à la roue de contact, cela provoque de l'usure irrégulière et excessive.

Les roues de tension supérieure et arrière doivent tourner au même plan. Cela signifie que lorsqu'elles sont correctement alignées, un plan passant par le centre radial de la roue de tension supérieure passera exactement par le centre radial de la roue arrière. Les roues sont de la même largeur lorsque la machine est expédiée de l'usine. En fait, les machines de modèle 760 sont livrées avec des roues d'une largeur de 1,5 po. Les machines de modèle 760 peuvent aussi être dotées de roues de contact de 0,5 po et de 2,0 po de largeur, avec leur courroies correspondantes. Communiquez avec votre détaillant OREGON® pour plus de détails.

1. Déconnecter l'alimentation électrique et retirer la bande abrasive.
2. Installer la roue de tension arrière de sorte que sa surface de roulement interne soit d'environ 1,524 mm à l'extérieur du support de roue. Fixer la roue à l'aide de vis de blocage. (Figure 11)
3. Installer la roue de tension supérieure de sorte que sa surface de roulement interne soit d'environ 1,524 mm à l'extérieur du support de roulement. Fixer la roue à l'aide de vis de blocage. (Figure 12)
4. Desserrer l'écrou de retenue qui fixe la vis de réglage de la roue de tension supérieure. (Figure 13) À l'aide de la vis, ajuster la roue de tension supérieure de sorte qu'une ligne droite représentant précisément le plan passant par le centre radial de la roue de tension supérieure passe par le centre radial de la roue arrière. Cette ligne représente le centre du déplacement de la bande. Remarque : s'assurer que le support de roulement soit appuyé contre l'extrémité de la vis.
5. Projeter une ligne à partir du rebord externe de la roue de tension supérieure jusqu'au rebord externe de la roue de tension arrière. Ajuster le bouton d'ajustement de positionnement de sorte que les roues soient exactement sur le même plan. C'est-à-dire que les centres radiaux soient alignés.
6. Effectuer de nouveau les étapes 3 à 4 jusqu'à ce que les deux conditions soient satisfaites. C'est-à-dire que les roues de tension supérieure et arrière soient alignées l'une par rapport à l'autre et que les deux roues soient alignées à la roue de contact.
7. Serrer l'écrou de retenue de la vis de réglage de la roue de tension supérieure.
8. Installer une nouvelle bande abrasive. Rouler manuellement la bande afin de s'assurer qu'elle gardera un positionnement approximatif. Si la bande ne garde pas un bon positionnement, effectuer de nouveau les étapes précédentes. Si, après avoir effectué ces étapes, la bande n'est toujours pas en bonne position, la machine a alors besoin d'une réparation ou les deux roues de tension doivent être remplacées. Les roues doivent être remplacées en paire.
9. Appliquer du courant électrique à la machine et vérifier que le bouton d'ajustement du positionnement (Article 9, p. 19) balaie la bande à travers la surface de la roue de contact. Un ajustement d'au moins 1,27 cm dans les deux sens par rapport au centre devrait être possible.

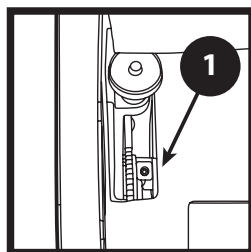


FIGURE 11

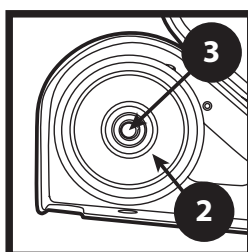


FIGURE 12

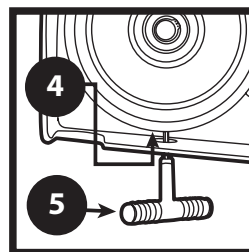


FIGURE 13

- 1 VERROUILLAGE DE LA VIS DE BLOCAGE, ROUE DE TENSION ARRIÈRE
- 2 ROUE SUPÉRIEURE
- 3 VERROUILLAGE DE LA VIS DE BLOCAGE, ROUE DE TENSION SUPÉRIEURE
- 4 ÉCROU DE RETENUE, ROUE DE TENSION SUPÉRIEURE
- 5 CLÉ ALLEN DE 5/32 PO



### AVERTISSEMENT :

NE JAMAIS EFFECTUER D'ENTRETIEN OU DES AJUSTEMENTS SUR LE MODÈLE 760 SANS AVOIR D'ABORD DÉBRANCHÉ LA MACHINE DE SA SOURCE D'ALIMENTATION ÉLECTRIQUE.

LE MANQUEMENT À SE CONFORMER À CET AVERTISSEMENT POURRAIT ENTRAÎNER DES BLESSURES GRAVES.

## AFFÛTAGE

### Lames de tondeuse



Nettoyer la lame de toute graisse, poussière, saleté ou de particules avant l'affûtage. Vérifier si les lames sont pliées ou craquées. À

l'aide d'un équilibreur de lame, vérifier l'équilibrage de la lame. Lors de l'affûtage, commencer par affûter l'extrémité légère de la lame et ensuite l'extrémité lourde.

Déplacer la lame dans un seul sens. En supposant qu'il s'agit d'une lame standard, le sens doit être de gauche à droite. Placer la lame sur la table, déplacer doucement la lame vers la roue rotative et tirer la lame vers la droite. De multiples passes sont requises pour obtenir le rebord désiré. Il est recommandé d'appliquer une pression minimale à la roue de contact. L'idée est que la bande effectue la coupe, et n'utilise pas de la force pour appuyer la lame contre la roue de contact. Effectuer des passes rapides, chacune ne devrait prendre que quelques secondes en tout. Si la lame n'est pas déplacée suffisamment rapidement, des zones chaudes seront créées sur la lame et elle ne se déplacera pas facilement le long de la roue.

Après avoir affûté le premier rebord, utiliser la partie lâche de la bande pour retirer toute bavure pouvant avoir été produite lors de l'affûtage. Ensuite, passer au deuxième rebord et effectuer la procédure de nouveau. Vérifier l'équilibrage du reste de la lame afin de s'assurer de l'affûtage approprié de la lame.

### Affûtage de lames déchiqueteuses



Retirer le plateau vertical en enlevant les deux boulons Allen qui le fixent à la garde de la roue de contact. Il est important

d'ajuster de nouveau la garde de la roue de contact afin d'enlever le point de pincement créé par le retrait du plateau. En retirant le plateau, une grande zone de courroie lâche se crée. À l'aide d'une courroie à endos flexible (de taille J) ou

d'une mince courroie à endos rigide, il sera possible d'utiliser la zone lâche pour affûter la lame. L'opérateur pourra déterminer l'angle désiré à la main. Après avoir affûté le premier rebord, utiliser la partie lâche de la bande pour retirer toute bavure pouvant avoir été produite lors de l'affûtage. Ensuite, passer au deuxième rebord et effectuer la procédure de nouveau. Vérifier l'équilibrage du reste de la lame afin de s'assurer de l'affûtage approprié de la lame.

### Affûtage de lame de fléau décalée de style rotative



Enlever tout corps étranger de la lame. Selon le style de la lame, l'équilibrage de la lame peut être

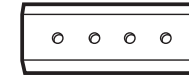
différent de celui décrit dans ce manuel. Les lames rotatives peuvent être équilibrées à l'aide d'une balance simple de style d'équilibrage. Puisqu'il n'y a pas d'autre façon de vérifier l'équilibre en raison du style à trou décalé des lames, l'utilisation de la balance vise à s'assurer que les lames sont égales au niveau de la masse. L'utilisation d'une balance permet donc de s'assurer que le poids de chaque lame est le même et par conséquent de l'équilibre des lames.

Il est aussi possible de vérifier les lames à l'aide d'une balance standard. Une fois de plus, commencer par affûter la lame la plus légère et ensuite la lame la plus pesante en vérifiant l'équilibre des lames.

Fixer les tubes galvanisés (article 1, page 26) à la table de travail à l'aide de deux boulons en oxyde noir à tête ronde (Article 18, page 26) et de deux écrous Kep (Article 14, page 26). Cela provoque un changement de l'angle pour la lame de fléau à un angle recommandé de l'usine. Comme pour les lames de tondeuse, il est recommandé de déplacer la lame dans un seul sens. Si la lame présente des écorchures profondes, utiliser la roue de contact pour « surfacer la lame ». Déplacer la roue de contact de quelques pouces vers la ligne centrale et retourner la lame plusieurs fois afin d'équilibrer le rebord de la lame. Ensuite, placer la lame contre le tube et commencer le processus d'affûtage. Une fois de plus, n'utiliser qu'une légère pression vers l'intérieur.

La bande et la vitesse de la bande feront tout le travail.

### Affûtage de lames de broyeuses



Enlever tout corps étranger de la lame. Selon le style de la lame, l'équilibrage de la lame peut être différent de celui décrit dans ce

manuel. La plupart des broyeuses nécessitent que les lames aient le même poids. Commencer par la lame la plus courte et s'en servir en tant que lame de référence, puis traiter les autres lames de l'ensemble.

N'affûter que des lames suffisamment longues et larges pour les tenir solidement. Comme pour tout processus d'affûtage sur la meuleuse, déplacer la lame dans un seul sens et n'appliquer qu'une force minimale vers l'intérieur.

## BANDES D'AFFÛTAGE

OREGON® recommande d'utiliser uniquement les bandes en céramique de grains 24 ou 36 de 3M ou de Norton pour affûter les lames à l'aide de l'accessoire de lame. (3M 987FI ou Norton Blaze R980). Ces bandes contiennent des éléments de refroidissement et sont construites en fonction d'un affûtage important. Les bandes de rechange peuvent être commandées auprès d'un distributeur OREGON.

Retirer toute bavure à l'arrière de la lame en faisant quelques passes sur la partie lâche de la bande. Cela réduit l'effort requis lors du déplacement de la lame à travers la table.



### AVERTISSEMENT :

Si une bande est endommagée ou présente une usure excessive, cesser immédiatement de l'utiliser et la jeter.

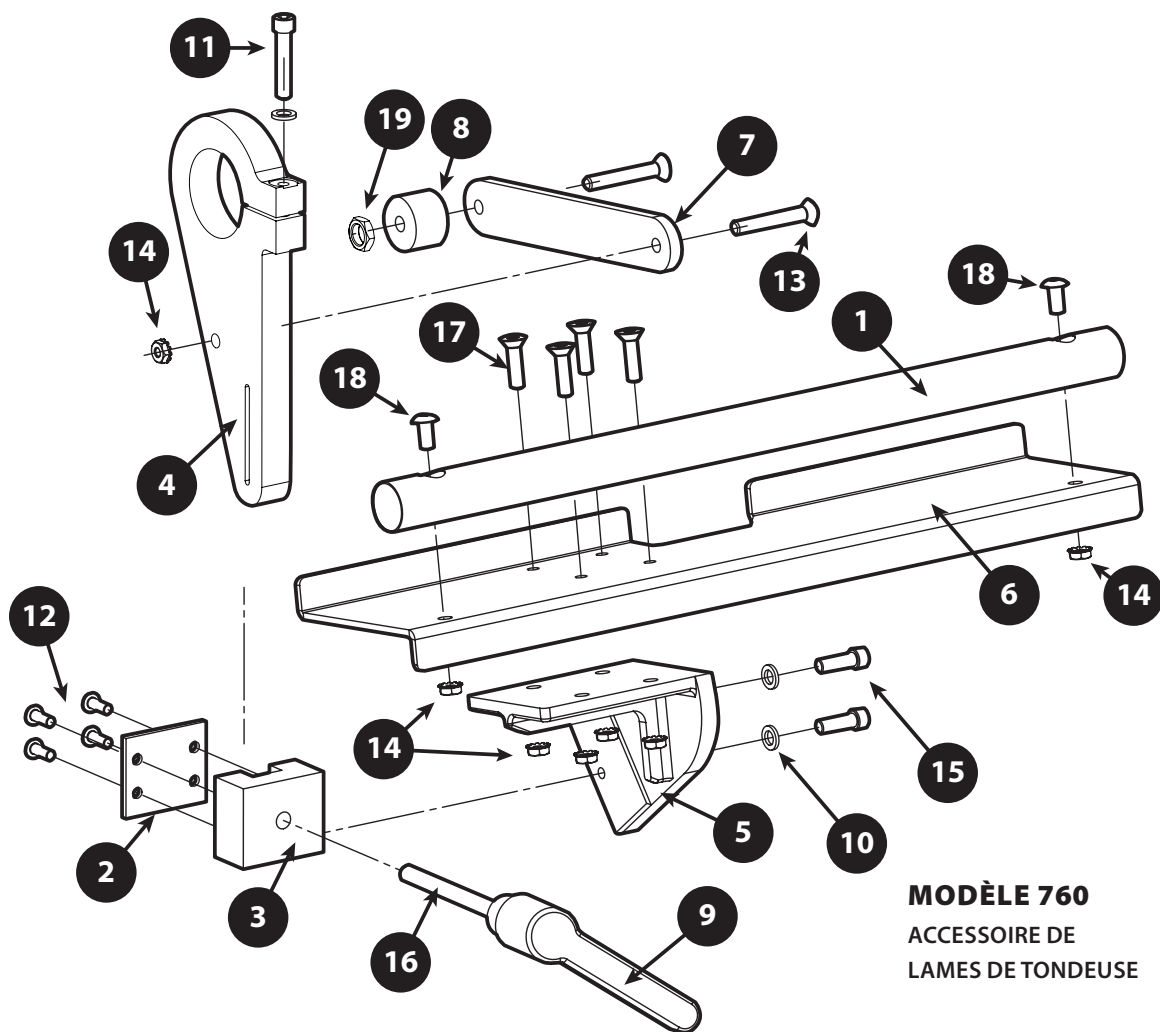
# Pièces de rechange

## PIÈCES DISPONIBLES

Veillez vous référer aux schémas des pièces lors de la passation de commande. Les composants des accessoires ne sont pas tous remplaçables, mais ils sont tous illustrés à titre de référence pratique pour déterminer leur emplacement et leur positionnement en séquence de montage. Lors de la passation de la commande, veuillez indiquer le numéro de modèle de la meuleuse, le numéro de série ainsi que la description de la pièce.

Veillez téléphoner ou écrire pour connaître le prix :

Oregon Outdoor Equipment Parts, OREGON®, Blount, Inc.,  
P.O. Box 22127, Portland, Oregon 97222, 800-223-5168  
et vous pouvez aussi nous envoyer un courriel à  
technicalservices@oregonproducts.com

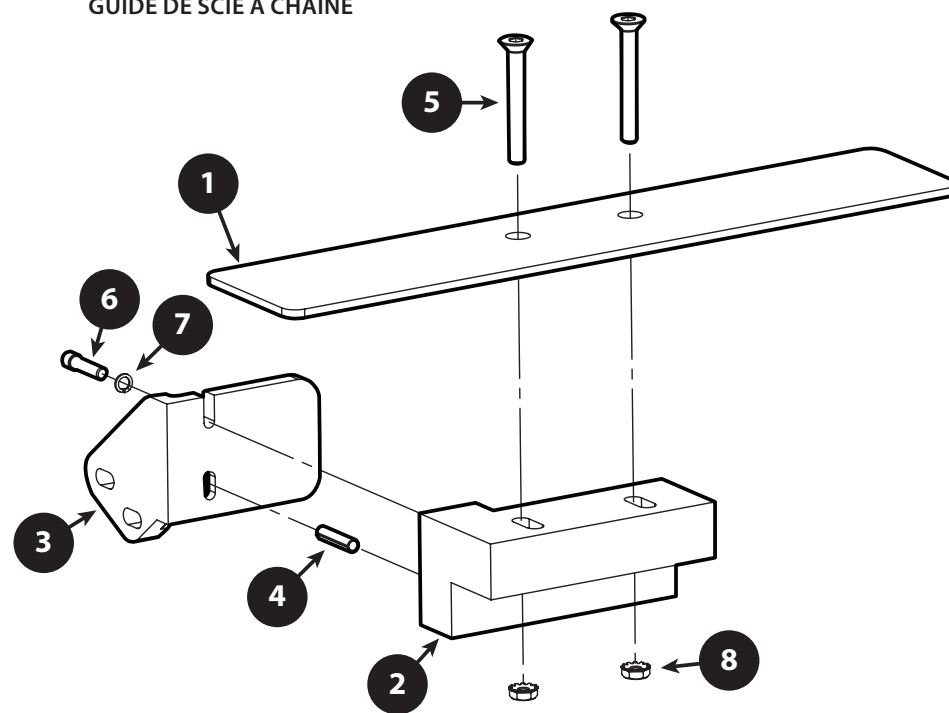


ARTICLE	N° DE PIÈCE	DESCRIPTION
1	9602	Tube d'inclinaison
2	9605	Plateau d'alignement
3	9606	Bloc de guidage
4	9607	Bras de support de travail
5	9608	Support de plateau
6	9609	Table de travail
7	9610	Support de bras
8	9611	Support de bloc
9	1203	Levier de verrouillage d'accessoire
10	5	Rondelle ¼ po
11	31	Vis, ¼ po-20 x 1-1/4 po
12	9	Boulons en oxyde noir à tête ronde, 10-24x1/2 po
13	6	Vis à tête plate, ¼ po-20x1-1/2 po
14	4-0013	Écrou Kep, ¼ po-20
15	209	Vis à tête Allen, ¼ po-20 x 1-3/4 po
16	711B	Arbre plaqué, 5/16 po-18 x 3-3/8 po
17	5-0046	Vis à tête plate, ¼ po-20 x 1-3/4 po
18	2-0014	Boulons en oxyde noir à tête ronde, ¼ po-28 x 1/2 po
19	4-0009	Contre-écrou plaqué, 3/8 po-16



ARTICLE	N° DE PIÈCE	DESCRIPTION
①	9603	Plaque d'affûtage du guide de scie à chaîne
②	9604	Bloc en aluminium
③	9613	Support de plateau
④	6-0001	Axe plaqué, 3/16 po x 1 po
⑤	6	Vis à tête plate, 1/4 po-20 x 1-1/2 po
⑥	13	Vis à tête ronde Allen, 10-24 x 3/4 po
⑦	5-0049	Rondelle de blocage surélevée, N° 10
⑧	4-0013	Écrou Kep, 1/4 po-20

**N° DE PIÈCE 88-116**  
**ACCESSOIRE D'AFFÛTAGE**  
**GUIDE DE SCIE À CHAÎNE**



### **LA GARANTIE LIMITÉE ET POLITIQUE DE SATISFACTION DES CLIENTS D'OREGON®**

OREGON® | Blount, Inc. garantit que ses produits sont libres de tout défaut de matériaux ou de fabrication pendant toute la durée de possession de ces produits par l'acheteur au détail original.

Si vous aimez nos produits, veuillez en parler à vos amis. Si vous n'êtes pas satisfait de nos produits, pour toute raison, veuillez nous en parler. OREGON désire vous procurer des produits offrant une performance qui vous satisfait entièrement. Nous vous invitons à communiquer avec nous par l'une des façons indiquées au dernier paragraphe.

LA RESPONSABILITÉ EN VERTU DE CETTE GARANTIE EST LIMITÉE AUX PIÈCES DE RECHANGE, À LA DISCRÉTION DE VOTRE DISTRIBUTEUR OREGON ET D'OREGON. VEUILLEZ COMMUNIQUER AVEC VOTRE DISTRIBUTEUR OREGON OU DIRECTEMENT AVEC NOUS. LES PRODUITS OREGON NE SONT PAS GARANTIS CONTRE L'USURE NORMALE, UNE UTILISATION ABUSIVE DE L'UTILISATEUR, UNE RÉPARATION OU UN ENTRETIEN INADÉQUATS. LE REMPLACEMENT DU PRODUIT DÉFECTUEUX CONSTITUE VOTRE SEUL RECOURS EN VERTU DE LA PRÉSENTE GARANTIE OU DE TOUTE AUTRE GARANTIE IMPLICITE APPLICABLE. LE REMPLACEMENT SERA FAIT DÈS QUE POSSIBLE, APRÈS LA RÉCEPTION DU PRODUIT DÉFECTUEUX. DANS LA MESURE PERMISE PAR LA LOI, TOUTE GARANTIE IMPLICITE RELATIVE À LA QUALITÉ MARCHANDE OU À UN USAGE SPÉCIFIQUE DU PRODUIT SE LIMITE À LA DURÉE ET À LA PORTÉE DE LA GARANTIE EXPRESSE. OREGON N'ASSUME AUCUNE RESPONSABILITÉ À L'ÉGARD DES DOMMAGES INDIRECTS OU ACCESSOIRES. CERTAINS ÉTATS NE PERMETTENT AUCUNE LIMITATION QUANT À LA DURÉE D'UNE GARANTIE IMPLICITE OU REJETTENT L'EXCLUSION DES DOMMAGES INDIRECTS. IL SE PEUT DONC QUE LA LIMITATION OU L'EXCLUSION SUSMENTIONNÉES NE S'APPLIQUENT PAS À VOUS. CETTE GARANTIE PROCURE À L'ACHETEUR D'ORIGINE, DES DROITS SPÉCIFIQUES RECONNUS PAR LA LOI. IL SE PEUT QUE VOUS BÉNÉFICIEZ D'AUTRES DROITS PROPRES À CHAQUE ÉTAT.

Pour communiquer avec nous aux États-Unis au sujet de pièces d'équipement extérieur OREGON (lames pour tondeuse et pièces de rechange pour les petits moteurs, les tondeuses et plusieurs autres types d'équipement motorisé extérieur) nous vous invitons à nous téléphoner entre 7h30 et 16h30 (heure du Pacifique), du lundi au vendredi au 800-223-5168 ou vous pouvez également nous écrire à : Technical Services Department, Oregon Outdoor Equipment Parts, OREGON, Blount, Inc., P.O. Box 22127, Portland, Oregon 97222, et vous pouvez aussi nous envoyer un courriel à [technicalservices@oregonproducts.com](mailto:technicalservices@oregonproducts.com).





## SEGURIDAD DEL OPERADOR Y DEL ÁREA DE OPERACIÓN

El equipo incluye afiladores, baterías, pulidoras y otros equipos giratorios. Pueden ocurrir lesiones graves o fatales si los operarios y las demás personas cercanas al equipo no comprenden ni acatan las precauciones mínimas de seguridad. Aquellos que operan el equipo o se encuentran en las inmediaciones deben estar adecuadamente capacitados en las precauciones mínimas de seguridad de la maquinaria, y aplicarlas.



**AL OPERAR EL EQUIPO DEBE USARSE EQUIPO DE PROTECCIÓN PERSONAL, LO QUE INCLUYE GUANTES, PROTECCIÓN AUDITIVA Y GAFAS DE SEGURIDAD. CONSULTE AL OFICIAL DE SEGURIDAD DE SU COMPAÑÍA SI EXISTEN OTROS REQUISITOS DE SEGURIDAD.**

**NUNCA UTILICE EL EQUIPO SI NO ESTÁ ADECUADAMENTE CAPACITADO PARA OPERARLO Y UTILIZARLO EN FORMA SEGURA. SI TIENE DUDAS, DETÉNGASE Y PIDA AYUDA.**

## REQUISITOS MÍNIMOS DE SEGURIDAD PARA OPERAR EL EQUIPO O TRABAJAR EN LAS INMEDIACIONES:

1. Lea hasta comprender todas las instrucciones de operación, los manuales, las etiquetas y demás información suministrada con el equipo.
2. Instale el equipo según las instrucciones del fabricante.
3. La instalación eléctrica debe realizarse según las normas y regulaciones aplicables.
4. Fije el equipo en forma segura a una superficie de montaje de estructura rígida.
5. No exponga la lijadora a la lluvia ni la utilice en lugares húmedos o mojados. No utilice la lijadora si el cable de electricidad está dañado o mojado.
6. No utilice ropa suelta ni joyas. Se recomienda utilizar calzado antideslizante al usar la lijadora. Proteja su cabello recogiendo en caso de que sea largo. Utilice equipo y ropa de seguridad adecuados para proteger los ojos, las manos, el rostro, los brazos, las piernas, los pies y el cuerpo de la expulsión de partículas de desecho, la eyección violenta de piezas y la rotura de bandas abrasivas.
7. Utilice gafas de seguridad. Las gafas de uso cotidiano no cuentan con lentes resistentes a impactos.
8. No utilice este equipo si está cansado, enfermo o bajo la influencia del alcohol o las drogas.
9. Repase hasta comprender la ubicación de los dispositivos de seguridad, los ajustes y los puntos de exposición a posibles lesiones.
10. No quite, manipule ni altere ningún dispositivo ni característica de seguridad del equipo.
11. Se prohíbe el uso de discos de piedra o vidrio en las bandas de lija OREGON. La protección de la banda no es adecuada para este tipo de discos.
12. Asegúrese de que la máquina permanezca ajustada según los requisitos del fabricante.
13. Mantener el equipo en buen estado de funcionamiento.
14. Que alguien que conozca cómo operar el equipo de manera adecuada y segura haga una demostración del uso adecuado y seguro a todos los operadores y a los que se encuentren en las inmediaciones del equipo.
15. Siempre utilice guantes y dispositivos de retención de piezas cuando sea posible, que disminuyan la posibilidad de contacto con piezas en movimiento, o bien chispas/desechos provenientes de la máquina.
16. Siempre mantenga los cables eléctricos lejos de partes giratorias y bandas en movimiento.
17. No utilice la lijadora cerca de líquidos o gases inflamables. Las chispas provenientes de la lijadora pueden ocasionar incendios.
18. Utilice mecanismos para atrapar chispas y desechos. Dichos mecanismos deben conectarse a la máquina de forma tal que contengan el polvo y los desechos que se generen, y que eliminen las chispas, de manera que limiten el riesgo de inhalación, incendio o explosión.
19. Utilice mecanismos adecuados de inhalación para protegerse de la ingesta o inhalación de chispas, desechos, humo, partículas, etc.
20. Evite mezclar diferentes metales, aleaciones y materiales. La mezcla de tales materiales puede originar un incendio o una explosión.
21. Protéjase de las piezas, partículas, etc. que puedan salir despedidas violentamente de la máquina. Por ejemplo, una rueda pulimentadora o banda lijadora puede “atrapar” la pieza que está puliendo, pulimentando, lijando o acondicionando de alguna manera, lo que resulta en la eyección violenta de la pieza en dirección al operador o a los que se encuentran en las inmediaciones de la máquina. Los delantales de cuero, los guantes y las gafas son ejemplos de equipo de protección eficaz. En general, no utilice la banda, la rueda o la superficie del disco para lijar, pulir o funcionar con la pieza de trabajo apuntando a la dirección en la que se mueve la banda, la rueda o el disco. No obstante, si elige hacerlo, tenga en cuenta que la pieza puede incrustarse en la banda, la rueda o el disco en movimiento, y salir despedida en forma violenta y peligrosa.
22. No opere la máquina si el espacio (punto de pellizco) entre la banda, la rueda o el disco en movimiento y la superficie de soporte excede 3,175 mm.
23. No opere la máquina si el espacio entre la banda abrasiva, el disco o la rueda en movimiento y la cara adyacente de la superficie o mesa de trabajo

permite el paso de la pieza a través de él (del punto de pellizco). No obstante, tenga en cuenta que determinadas aleaciones (como el titanio) pueden hacer que los desechos de lijado se acumulen en un espacio pequeño, lo que puede generar un peligro de incendio. **Si tiene dudas, consulte al oficial de seguridad.** Si no se observa esta advertencia, la pieza u otro objeto pueden quedar atrapados en el espacio o bien salir despedidos violentamente. Si no se observa esta advertencia, el operador o los que se encuentran en las inmediaciones pueden resultar gravemente heridos.

24. Nunca coloque la mesa de trabajo en ángulo agudo entre la parte superior de esta y la banda o la rueda en movimiento. Hacerlo generará un "punto de pellizco" que puede causar lesiones graves si una parte del cuerpo del operador se queda atrapada en él.
25. No opere el equipo ni permita que otros lo hagan sin una adecuada capacitación en estos y otros requisitos de seguridad para máquinas giratorias.
26. Desconecte la fuente de energía cuando la lijadora no se esté usando.
27. No realice mantenimiento en el equipo a menos que esté completamente calificado para hacerlo y comprenda todos los requisitos de seguridad y operación necesarios.
28. No deje la máquina sin atención mientras esté en funcionamiento.
29. Corrija cualquier problema del equipo o de seguridad inmediatamente. No opere el equipo cuando sea necesario realizar tareas de mantenimiento o corrección.

30. Instale y utilice bandas abrasivas, ruedas, discos, medios, etc., de alta calidad y adecuados para la máquina.

31. Asegúrese de comprender y cumplir los requisitos operativos que suministra el fabricante de tales materiales.

## ADVERTENCIA SOBRE VELOCIDAD GIRATORIA, RUEDAS DE CONTACTO

Alcance: ruedas de contacto fabricadas por OREGON, con neumáticos de goma o uretano. Algunos ejemplos son los códigos de inventario 202, 302, 402, 502, 702, 802, 902, 1002, 1202 y variantes. Las variantes tienen códigos de inventario que comienzan con el número base, es decir que 802-S-55 es una variante del 802.

Se advierte al usuario que evite exceder las siguientes revoluciones por minuto (RPM) en las ruedas. Si no se observa esta precaución, el neumático puede soltarse o fragmentarse, o bien producirse una falla mecánica. Tales fallas pueden ocasionar lesiones graves a los operadores o a los que se encuentren en las inmediaciones, o bien causar daños a la propiedad.

### CÓDIGO DE INVENTARIO

### MÁXIMO DE RPM

CÓDIGO DE INVENTARIO	MÁXIMO DE RPM
202, 302	10 000
402, 502, 702 802	4400
902, 1002	3000
1202	2200

## EXPOSICIÓN A RUIDO OCUPACIONAL

Los productos OREGON generan niveles de ruido adecuados a su finalidad prevista. Tanto el nivel como el contenido espectral del ruido producido dependen del tipo de producto, el grado a que este se mantenga en adecuadas condiciones operativas, los abrasivos/medios y accesorios que se utilicen, la aplicación específica y el ambiente circundante.

Los niveles de ruido producidos por diversas lijadoras OREGON, según mediciones realizadas en fábrica, oscilan entre los 80 y los 93 decibeles. Según la regulación de la OSHA 29CFR, parte 1910.95, titulada "Exposición a ruido ocupacional", debe protegerse de niveles de ruido excesivos a los operadores y a los que se encuentran en las inmediaciones de la máquina.



### ADVERTENCIA:

**LOS EQUIPOS GIRATORIOS PUEDEN SER PELIGROSOS PARA LOS OPERADORES Y LOS QUE SE ENCUENTRAN EN LAS INMEDIACIONES. ES RESPONSABILIDAD ABSOLUTA Y DIRECTA DE LOS COMPRADORES, GERENTES Y OPERADORES DEL EQUIPO EL COMPRENDER Y OBSERVAR LOS REQUISITOS MÍNIMOS DE SEGURIDAD OPERATIVA ENUMERADOS ANTERIORMENTE.**

**OREGON niega toda responsabilidad por lesiones, daños, pérdida de ingresos o cualquier otra consecuencia adversa en que incurran compradores, gerentes y operadores de este equipo.**

Si tiene preguntas o inquietudes sobre seguridad en relación con la operación del equipo, comuníquese con un distribuidor OREGON autorizado, o bien con Oregon Outdoor Equipment Parts, OREGON, Blount, Inc., P.O. Box 22127, Portland, Oregon 97222, 800-223-5168. También puede contactarnos vía correo electrónico: [technicalservices@oregonproducts.com](mailto:technicalservices@oregonproducts.com)

## Advertencia

---



### EVITE LESIONES:

Para la seguridad del operador y la eficacia continua del modelo 760, es necesario:

- **No** anular los dispositivos ni demás características de seguridad del modelo 760.
  - **No** operar el modelo 760 con el dispositivo de seguridad abierto o sin el dispositivo de seguridad de la rueda de contacto o el montaje de la placa (o el accesorio interno de lijado).
  - **No** toque la parte interior de los dispositivos de seguridad mientras la lijadora esté en funcionamiento. Hacerlo es peligroso.
- **No** utilice fluidos durante el proceso de lijado, a menos que el modelo 760 esté diseñado para la operación de líquidos. (NEMA 4, 4X). Hacerlo puede generar peligros para la seguridad eléctrica.
  - **No** utilice el modelo 760 para lijar/pulir materiales explosivos, a menos que esté equipado con dispositivos y motor a prueba de explosiones.
  - **No** mezcle aleaciones al lijar. Hacerlo puede generar peligros de explosión/incendio.
  - **No** utilice ruedas de piedra o vidrio en el modelo 760. Hacerlo crea un peligro de seguridad para el operador.
- En los ojos, las manos, el rostro, los brazos, las piernas, los pies y el cuerpo, **utilice** protección adecuada para desechos despedidos, eyección violenta de piezas, rotura de bandas abrasivas, etc.
  - **Capacite** a los operadores y a otras personas en prácticas operativas seguras.

**DIFUNDA ESTAS INSTRUCCIONES U OTRAS EQUIVALENTES DE FORMA QUE ESTÉN DISPONIBLES AL OPERADOR PARA REFERENCIA RÁPIDA.**

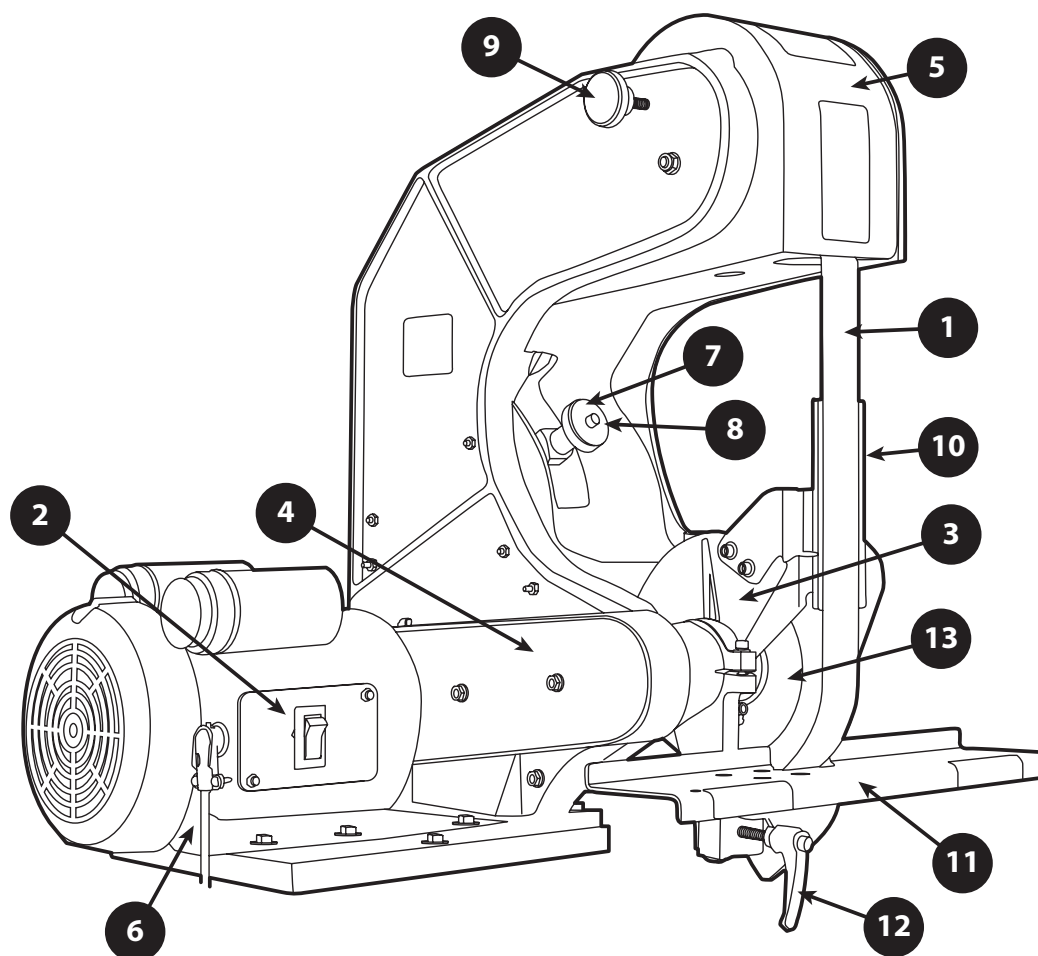
## PARTES DISPONIBLES

Consulte el diagrama de partes al realizar su pedido. Aunque no todos los componentes de la lijadora son reemplazables, se ilustran a modo de referencia para localizarlos. Al solicitar partes, suministre el número de modelo, el número de serie y la descripción.

Para obtener precios actualizados, comuníquese con nosotros:

Oregon Outdoor Equipment Parts, OREGON®,  
Blount, Inc., P.O. Box 22127, Portland, Oregon 97222,  
800-223-5168. O escribanos por correo electrónico a [technicalservices@oregonproducts.com](mailto:technicalservices@oregonproducts.com)

PIEZA	N.º DE PARTE	DESCRIPCIÓN
1	88-111	Banda abrasiva, 1-1/2" x 60" 36 g
	88-112	Banda abrasiva, 1-1/2" x 60" 120 g
2	011C	Interruptor encendido/apagado
3	703-3	Dispositivo de seguridad de la rueda de contacto
4	728	Dispositivo de seguridad de la banda en v
5	742A-1	Dispositivo de seguridad
6	015-2	Cable de electricidad CA
7	737A	Manija de tensión
8	737B-1	Botón de tensión
9	771	Perilla de ajuste de alineación
10	704A	Placa vertical
11	9609	Accesorio de cuchilla cortadora
12	1203	Palanca de bloqueo del accesorio
13	702	Rueda de contacto





## Antes del uso



ANTES DE OPERAR UN EQUIPO NUEVO, LEA Y REPASE TODAS LAS INSTRUCCIONES DE SEGURIDAD PARA EL MODELO 760 DE OREGON®.

AL OPERAR EL EQUIPO DEBE USARSE EQUIPO DE PROTECCIÓN PERSONAL, LO QUE INCLUYE GUANTES, PROTECCIÓN AUDITIVA Y GAFAS DE SEGURIDAD. CONSULTE AL OFICIAL DE SEGURIDAD DE SU COMPAÑÍA SI EXISTEN OTROS REQUISITOS DE SEGURIDAD.

### ADVERTENCIA:

AL LEVANTAR LA LIJADORA, TENGA PRECAUCIÓN. SE NECESITAN DOS PERSONAS PARA RETIRAR EL EQUIPO DE LA CAJA.



Antes de operar el modelo 760, asegúrese de hacer lo siguiente:

1. Asegúrese de que ha recibido todas las piezas solicitadas. Compare la nota de entrega con la orden de compra, y a su vez, con las piezas recibidas.
2. Verifique que no haya daños obvios en el envío. Si descubre daños en el envío, notifique al transportista su intención de iniciar un reclamo por daños. El transportista le asistirá.
3. Verifique que el voltaje de CA identificado en la máquina recibida concuerda con el voltaje de CA con el que prevé operar la máquina. No modifique el cableado de la máquina sin comunicarse primero con el distribuidor o con OREGON.

La lijadora modelo 760 incluye una banda de tres ruedas y utiliza una banda abrasiva de bucle continuo de 1-1/2" x 60 pulgadas. **Para una máxima eficacia y para la seguridad del operador, utilice bandas abrasivas provenientes de fabricantes respetados.**

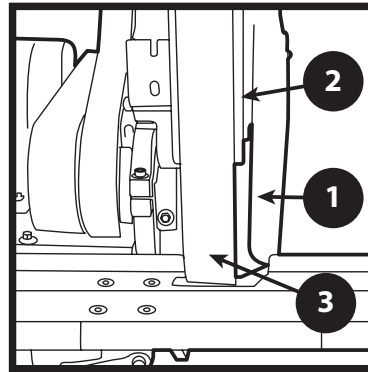


FIGURA 1

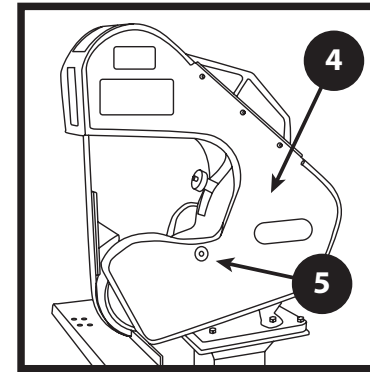


FIGURA 2

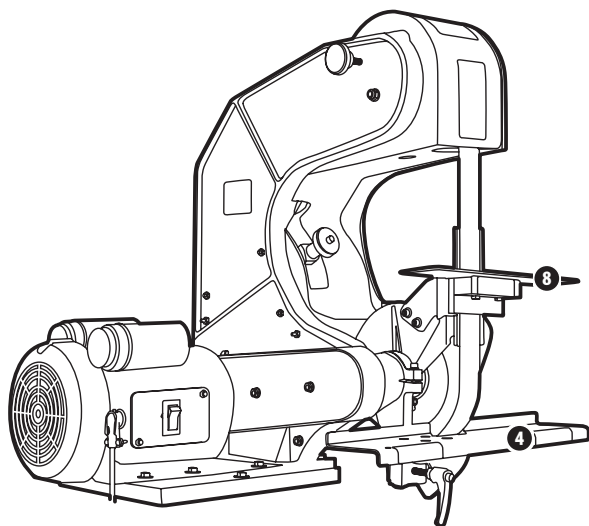
- 1 DISPOSITIVO DE SEGURIDAD DE LA RUEDA DE CONTACTO
- 2 PLACA VERTICAL
- 3 BANDA ABRASIVA
- 4 PUERTA DEL DISPOSITIVO DE SEGURIDAD
- 5 CERROJO DE LA PUERTA

4. No modifique ni anule ninguna característica de seguridad del cableado AC. Nunca quite la clavija de conexión del enchufe.
5. Verifique que haya recibido el **manual de instrucciones**.
6. Verifique que los diversos dispositivos de seguridad de la máquina estén en su lugar y funcionen. (Véase la ilustración de la p. 33.)
  - a. El dispositivo de seguridad de la rueda de contacto y la placa vertical están ensamblados y ajustados de manera tal que la placa toca ligeramente el reverso de la banda abrasiva (Figura 1). *Consulte todas las instrucciones de instalación en la p. 35.*
  - b. El dispositivo de seguridad completo se encuentra en su lugar, cerrado, y el cerrojo funciona de manera tal que mantiene la puerta de seguridad cerrada en forma segura (Figura 2).
7. Antes de operar el modelo 760, lea con atención el **manual de instrucciones**. Asegúrese de que todos los que operarán el modelo 760 o que trabajarán en las inmediaciones de la máquina, comprenden y cumplen estas instrucciones.
8. Asegúrese de colocar la lijadora en un área que ofrezca fácil acceso, de manera que los operadores tengan acceso seguro y sin obstrucciones al equipo. El lugar de trabajo debe estar libre de obstrucciones en el suelo, puntos de disparo u otros problemas que puedan reducir la seguridad del operador.
9. OREGON recomienda que todas las instalaciones trifásicas incluyan un arrancador magnético. Los arrancadores magnéticos protegen al motor de la conversión a monofase, el recalentamiento, etc., lo que reduce el riesgo de daños al equipo y de peligros de incendio en las instalaciones.
10. Asegúrese de que la fuente de energía eléctrica de CA del modelo 760 sea del tamaño adecuado y cuente con la protección adecuada. Consulte a un electricista competente, o bien comuníquese con OREGON.

Utilice bandas abrasivas del tamaño y tipo adecuado para su máquina.

- No utilice bandas abrasivas antiguas o muy desgastadas.

- No utilice bandas abrasivas con uniones encastradas. Este tipo de bandas tiende a separarse. También puede desgarrar la pieza de trabajo y generar un peligro de seguridad al arrastrar y propeler la pieza en dirección del operador.



## MONTAJE

La máquina se ha montado y sometido a numerosos controles de calidad antes de su envío. El accesorio de cuchilla cortadora está completamente montado.

1. Abra la puerta de la cubierta de la rueda y quite la rueda de contacto con una llave de tubo de 15/16". (Figura 3)
2. Gire el brazo de soporte de la mesa hasta la posición inferior.

3. Con ayuda de una llave de 7/16" y una llave Allen de 5/32", quite el perno del brazo de soporte de la mesa y fije la barra de soporte al brazo de soporte.
4. Con ayuda de una llave Allen de 3/16", ajuste el perno del brazo de soporte de la mesa.
5. Con ayuda de una llave Allen de 3/16", quite dos tornillos del bloque de montaje del brazo de soporte de la mesa y fije la mesa de soporte de la cuchilla cortadora. Ajuste bien y asegúrese de colocar las arandelas en el exterior del soporte de la mesa de soporte de la cuchilla cortadora. (Figura 4)
6. Sustituya la rueda de contacto con ayuda de una llave de 15/16". El espacio es estrecho, así que proceda con precaución y utilice un poco de aceite lubricante de ser necesario.

## INSTALACIÓN DE LA BANDA

7. Instale la banda de 36 grit en las tres ruedas y en la banda de tensión girando la perilla de tensión hacia arriba.
8. Gire la placa vertical en posición de manera que la banda la toque ligeramente. Ajuste los tornillos con la llave Allen de 3/16" a fin de asegurar la placa vertical a la carcasa del cojinete.

9. Asegúrese de que la banda abrasiva está adecuadamente tensionada. A este fin, eleve la manija de tensión (Figura 5). A medida que se mueve la perilla de tensión, se oirá una serie de clics mecánicos. En general, la banda quedará adecuadamente tensionada si se oyen de tres a ocho clics. Para reducir o liberar la tensión de la banda, eleve ligeramente la manija de tensión y luego presione el botón que está en el centro de esta. Mueva la manija de tensión ligeramente hacia abajo para reducir la tensión de la banda o completamente hacia abajo para liberar la tensión de la banda.
10. Gire la banda manualmente para centrarla sobre las ruedas.
11. Cierre la puerta de las ruedas.
12. Ajuste la mesa de la sierra con dos pernos a la placa vertical. (Figura 6).

## AJUSTE DEL ACCESORIO

A diferencia de lo que ocurre con una lijadora de piedra, el diámetro de la rueda de contacto permanecerá casi igual durante toda la vida útil de la rueda. Dado que el diámetro de la rueda también permanecerá constante, casi no necesitará ajustar la altura de la mesa. Otra ventaja de utilizar una banda para lijar metal en lugar de una piedra es que esta se reduce en diámetro y se pierde velocidad en la superficie, lo que prolonga los tiempos de lijado. Una rueda de piedra nueva puede girar a 1828 metros de superficie por minuto, pero luego de un uso limitado, el diámetro de la piedra disminuye, lo que alarga los tiempos de afilado y hace que la piedra retenga más calor.

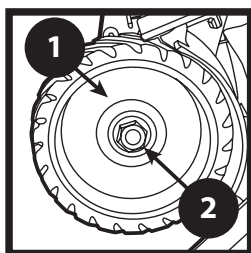


FIGURA 3

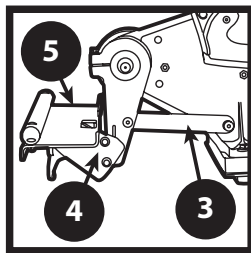


FIGURA 4

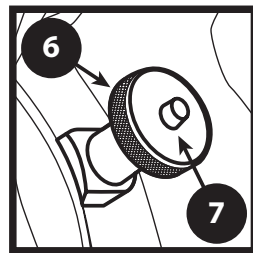


FIGURA 5

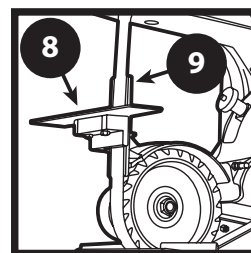


FIGURA 6

- 1 RUEDA DE CONTACTO
- 2 TUERCA DE LA RUEDA DE CONTACTO
- 3 BRAZO DE SOPORTE DE LA MESA
- 4 MESA DE SOPORTE DE LA CUCHILLA CORTADORA

- 5 BARRA DE SOPORTE DE LA MESA
- 6 MANIJA DE TENSION
- 7 BOTÓN DE LA MANIJA DE TENSION
- 8 MESA DE LIJADO DE LA SIERRA
- 9 PLACA VERTICAL

## VERIFICACIÓN DE LA LIJADORA

Antes de su envío desde la fábrica, se ha probado y comprobado que el modelo 760 cumple con los requisitos. Realice los siguientes pasos:

1. Ajuste el soporte y el brazo de soporte a la posición deseada con ayuda de la palanca de bloqueo del accesorio (Figura 7). Asegúrese de que el espacio entre la cara de la banda abrasiva y el soporte es de 1,375 mm como máximo.  
**ADVERTENCIA: Tenga en cuenta que las piezas delgadas pueden pasar por ese espacio si no se lo ajusta adecuadamente. Las piezas despedidas pueden causar graves lesiones personales.**
2. Una vez que la máquina está fija a la mesa, el pedestal o el punto en el suelo, conecte el cable de CA a la fuente.

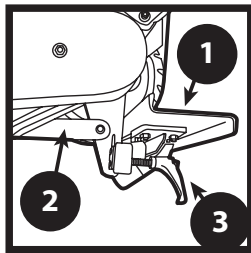


FIGURA 7

- 1 SOPORTE
- 2 BRAZO DE SOPORTE
- 3 PALANCA DE BLOQUEO DEL ACCESORIO
- 4 PERILLA DE AJUSTE DE ALINEACIÓN

3. Accione el motor al mover el interruptor de encendido/apagado a la posición ON (encendido). La banda debe girar con suavidad en dirección contraria a las agujas del reloj, por la trayectoria de la banda en el disco de la máquina. Si alguna de estas condiciones no se cumple, apague inmediatamente la máquina.
  - a. Si la banda abrasiva no permanece centrada en la rueda de contacto mientras está en movimiento, utilice la perilla de ajuste de alineación (Figura 8), localizada en el lado izquierdo superior de la máquina, para alinear la banda. Gire el control en dirección a las agujas del reloj para alinear la banda hacia la izquierda; para alinearla hacia la derecha, gire el control en dirección contraria a las agujas del reloj.

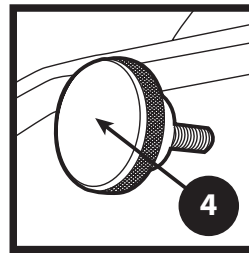


FIGURA 8

b. Si la banda corre al revés (desde el piso hacia arriba), corrija esta condición poco segura cambiando la dirección de rotación del motor principal. (Consulte las instrucciones que se enumeran a continuación).

c. Si la banda abrasiva se tensiona y se alinea adecuadamente, pero presenta una excesiva vibración, **apague la máquina y comuníquese con OREGON®.**

**Siempre desenchufe la máquina antes de realizar cualquier ajuste a las plataformas de trabajo.**



### ADVERTENCIA:

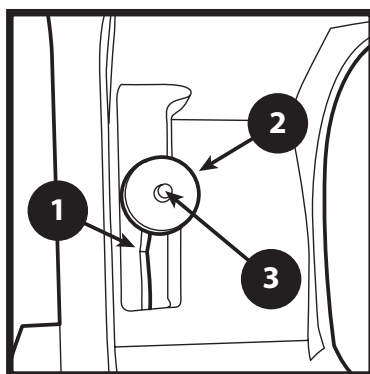
PRIMERO DESCONECTE LA MÁQUINA DE LA FUENTE DE CA. *SE RECOMIENDA QUE UN ELECTRICISTA COMPETENTE REALICE TODOS LOS TRABAJOS ELÉCTRICOS RELATIVOS AL MODELO 760.*

1. Invierta la dirección de un motor trifásico al invertir dos patas de los cables de entrada.

2. Invierta la dirección de un motor monofásico al invertir los bornes 5 y 8 que se encuentran dentro de la caja metálica de cableado del motor, o de la forma que se indique en la etiqueta del motor.

## MANTENIMIENTO

- Cada treinta días, aplique aceite para máquinas ligero en el soporte de la rueda posterior y en la interfaz del brazo de tensión. (Figura 9) Es suficiente con dos gotas de aceite.

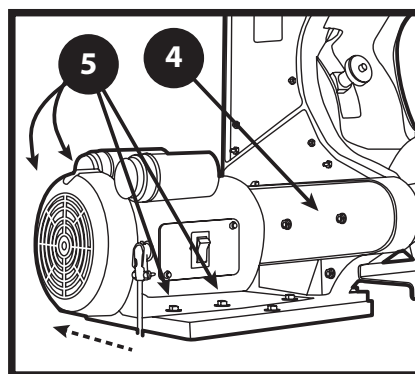


**FIGURA 9**

- Cada treinta días, compruebe la tensión de la banda en v. Si oye que la banda golpea el dispositivo de seguridad de la banda en v (pieza 4, página 33) cuando se enciende el motor, será necesario ajustar la tensión de la banda en v. Para esto, afloje los cuatro pernos (Figura 10) que aseguran el motor a la base de la máquina y deslice el motor hacia la parte posterior de la máquina. Ajuste los cuatro pernos.

- Aspire el polvo y los desechos acumulados en la máquina y en la banda (o quítelos de otra manera) a diario.

No se requieren otras acciones de mantenimiento. Los cojinetes están cerrados de por vida y no necesitan lubricación adicional.



**FIGURA 10**

- ❶ SOPORTE DE LA RUEDA POSTERIOR E INTERFAZ DEL BRAZO DE TENSIÓN (DENTRO DE LA CARCASA, BAJO LA MANIJA DE TENSIÓN)
- ❷ MANIJA DE TENSIÓN
- ❸ BOTÓN DE TENSIÓN
- ❹ DISPOSITIVO DE SEGURIDAD DE LA BANDA EN V
- ❺ CUATRO PERNOS DEL MOTOR



### ADVERTENCIA:

DESCONECTE LA MÁQUINA DE LA FUENTE DE CA ANTES DE INICIAR CUALQUIER TAREA DE MANTENIMIENTO.

## ALINEACIÓN DE RUEDAS INTERMEDIAS

A la hora de quitar o sustituir ruedas intermedias, deben instalarse de manera tal que queden adecuadamente alineadas. Si no se alinean adecuadamente, las ruedas intermedias fallarán pronto. La falla se evidenciará cuando los diámetros exteriores se desgasten tanto que las ruedas pierdan el dentado de fábrica, se trunquen su forma o se desbalancen. La alineación deficiente resulta en un desgaste análogo al del neumático frontal de un automóvil cuando el mecanismo de dirección está desalineado. La intermedia superior equivale a las ruedas frontales del auto. Si están desalineadas entre sí o con la rueda de contacto, ocurrirá un desgaste excesivo e irregular.

Las ruedas intermedias frontal y posterior deben operar en el mismo plano. Esto significa que cuando están correctamente alineadas, un plano que atraviese el centro radial de la rueda superior pasará exactamente por el medio de la rueda posterior. Las máquinas se envían de fábrica con ruedas del mismo ancho. Actualmente, las máquinas modelo 760 se envían con ruedas de 1,5 pulgadas de ancho. El modelo 760 también dispone de ruedas de contacto de 0,5 y 2,0 pulgadas de ancho, junto con sus bandas correspondientes. Comuníquese con su distribuidor OREGON® para más información.

1. Desconecte la corriente eléctrica y quite la banda abrasiva.
2. Instale la intermedia posterior de forma tal que la superficie interior del cojinete sea de aproximadamente 1,524 cm desde el soporte de la rueda. Asegure la rueda con un juego de tornillos de bloqueo. (Figura 11)
3. Instale la intermedia superior de forma tal que la superficie interior del cojinete sea de aproximadamente 1,524 cm desde el soporte del cojinete. Asegure la rueda con un juego de tornillos de bloqueo. (Figura 12)
4. Afloje la tuerca de retención que bloquea el tornillo de ajuste de la rueda intermedia superior. (Figura 13) Con ayuda del tornillo, ajuste la rueda intermedia superior hasta que una línea recta, que representa al plano que pasa por el medio de la intermedia superior, pase exactamente por el medio de la rueda de contacto. Dicha línea representa el centro del movimiento de la banda. Nota: asegúrese de que el soporte del cojinete esté enfrentado al extremo del tornillo.
5. Proyecte una línea desde el borde exterior de la intermedia superior hacia el borde exterior de la intermedia posterior. Ajuste la perilla de ajuste de alineación hasta que las ruedas estén exactamente planares, es decir, que sus centros radiales estén alineados.
6. Repita los pasos 3 y 4 hasta que ambas condiciones se cumplan, es decir, que las intermedias superior y posterior estén alineadas entre sí y que ambas ruedas estén alineadas con respecto a la rueda de contacto.
7. Ajuste la tuerca de retención que bloquea el tornillo de ajuste de la rueda intermedia superior.
8. Instale una nueva banda abrasiva. Gire la banda manualmente para asegurarse que mantiene una alineación gruesa. Si la banda no se alinea manualmente, repita los pasos anteriores hasta lograrlo. Si, luego de repetir los pasos, la banda todavía no se alinea, la máquina necesita otras tareas de mantenimiento o bien una o ambas ruedas intermedias necesitan ser sustituidas. Las ruedas deben sustituirse en pares.
9. Conecte la máquina a la electricidad y verifique que la perilla de ajuste de alineación (pieza 9, p. 33) arrastre la banda sobre la cara de la rueda de contacto. Debería ser posible lograr un ajuste de al menos 1,27 cm desde el centro, en ambas direcciones.

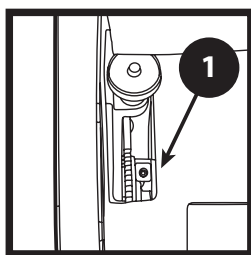


FIGURA 11

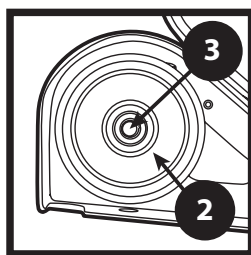


FIGURA 12

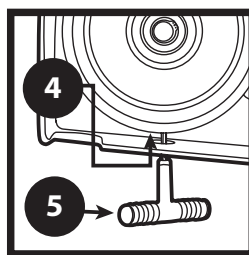


FIGURA 13

- 1 JUEGO DE TORNILLOS DE BLOQUEO, RUEDA INTERMEDIA POSTERIOR
- 2 RUEDA SUPERIOR
- 3 JUEGO DE TORNILLOS DE BLOQUEO, RUEDA INTERMEDIA SUPERIOR
- 4 TUERCA DE RETENCIÓN, RUEDA INTERMEDIA SUPERIOR
- 5 LLAVE ALLEN DE 5/32"



### ADVERTENCIA:

NUNCA REALICE TAREAS DE MANTENIMIENTO O AJUSTE EN EL MODELO 760 SIN PRIMERO DESCONECTAR LA MÁQUINA DE LA FUENTE DE ENERGÍA ELÉCTRICA.

NO OBSERVAR ESTA ADVERTENCIA PUEDE OCASIONAR LESIONES PERSONALES GRAVES.

## AFILADO

### Cuchillas cortadoras



Antes de afilarla, retire cualquier resto de grasa, suciedad y hierba cortada de la cuchilla. Revise las cuchillas para asegurarse de que

no están dobladas ni quebradas. Con ayuda de un equilibrador de cuchilla, revise el equilibrio de la cuchilla. Empiece a afilar el extremo liviano de la cuchilla y continúe con el extremo pesado.

Mueva la cuchilla en una sola dirección. Si se trata de una cuchilla cortadora común, la dirección será de izquierda a derecha. Deje la cuchilla en la mesa, colóquela suavemente en la rueda giratoria y muévala hacia la derecha. Es necesario realizar varias pasadas para lograr el filo deseado. Se recomienda ejercer la mínima presión contra la rueda de contacto. La idea es que la banda haga el trabajo, no utilizar la fuerza contra la rueda de contacto. Haga movimientos rápidos, cada pasada solo debe durar unos segundos. Si no mueve la cuchilla contra la rueda en movimientos rápidos, se generarán puntos de calor en la cuchilla, y esta no se moverá fácilmente por la rueda.

Luego de afilar el primer borde, utilice la zona floja de la banda para eliminar cualquier reborde que se haya producido durante el procedimiento de afilado. A continuación, mueva el segundo borde y repita el procedimiento. Revise el equilibrio de la cuchilla para asegurarse de que se haya eliminado la viruta.

### Afilado de cuchillas para trituración (en inglés, mulching)



Quite la placa vertical al retirar los dos pernos Allen que la sujetan al dispositivo de seguridad de la rueda de

contacto. Es importante reajustar el dispositivo de seguridad de la rueda de contacto a fin de eliminar el punto de apriete

generado al momento de quitar la placa. Al quitar la placa, se genera un área "floja" de gran tamaño en la banda. Si utiliza una banda de reverso flexible (peso J) o una banda angosta de reverso rígido, podrá usar el área floja para afilar la cuchilla. El operador improvisará el ángulo deseado. Luego de afilar el primer borde, utilice la zona floja de la banda para eliminar cualquier reborde que se haya producido durante el procedimiento de afilado. A continuación, mueva el segundo borde y repita el procedimiento. Revise el equilibrio de la cuchilla para asegurarse de que se haya eliminado la viruta.

### Afilado de cuchillas trituradoras giratorias de ajuste



Limpie la cuchilla de toda sustancia extraña. Según el estilo de la cuchilla, el proceso de

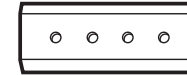
equilibrado puede ser diferente del que se describe en este manual. La mayoría de las cuchillas giratorias se pueden equilibrar con ayuda de una sencilla balanza de equilibrio. Dado que, debido al estilo de ajuste de las cuchillas, no existe otra forma de comprobar el equilibrio, utilice una balanza para asegurarse de que las cuchillas son equivalentes en masa. El uso de la balanza le permitirá asegurarse de que las cuchillas pesan exactamente lo mismo, lo que las mantiene en equilibrio.

También puede optar por comprobar las cuchillas con ayuda de una balanza común. Una vez más, empiece con la cuchilla más liviana y siga con la más pesada, comprobando el equilibrio de ambas.

Ajuste el tubo galvanizado (pieza 1, página 40) a la mesa de trabajo, con ayuda de dos tornillos de óxido negro de cabeza redonda (pieza 18, página 40) y dos tuercas kep (pieza 14, página 40). Esto modifica el ángulo de la cuchilla trituradoras giratorias de ajuste al ángulo recomendado de fábrica. Al igual que en el caso de las cuchillas cortadoras, se recomienda mover la cuchilla en una sola dirección. Si la cuchilla tiene astillas profundas, utilice la rueda de contacto para "encarar" la cuchilla. Mueva la cuchilla en la rueda de contacto unas pulgadas

hacia el centro y pásela varias veces hacia adelante y hacia atrás para emparejar el borde de la cuchilla. A continuación, apoye la cuchilla en el tubo y comience a afilar. Nuevamente, ejerza una leve presión hacia dentro. La banda y su velocidad harán todo el trabajo.

### Afilado de cuchillas picadoras



Limpie la cuchilla de toda sustancia extraña. Según el estilo de la cuchilla, el proceso de equilibrado puede ser diferente

del que se describe en este manual. En la mayoría de las picadoras, las cuchillas deben ser del mismo peso. Comience con la cuchilla más corta y úsela como referencia; luego continúe con el resto de las cuchillas del juego.

Únicamente afile las cuchillas que sean lo suficientemente largas y anchas como para manipularlas en forma segura. Al igual que en cualquier proceso de afilado en la lijadora, mueva la cuchilla en una sola dirección y aplique un mínimo de fuerza hacia dentro.

## BANDAS LIJADORAS

Para afilar cuchillas con el accesorio afilador, OREGON® recomienda el uso de bandas cerámicas de 24 o 36 grit 3M o Norton únicamente. (3M 987FI o Norton Blaze R980). Estas bandas contienen herramientas de enfriamiento y soportan la eliminación de viruta pesada. Puede solicitar bandas de repuesto al distribuidor OREGON.

Pase un par de veces la cuchilla por la zona floja de la banda para eliminar los rebordes del dorso de la cuchilla. Esto reducirá el esfuerzo necesario para mover la cuchilla por la mesa.



### ADVERTENCIA:

Si la banda está dañada o excesivamente gastada, interrumpa su uso de inmediato y descártela.



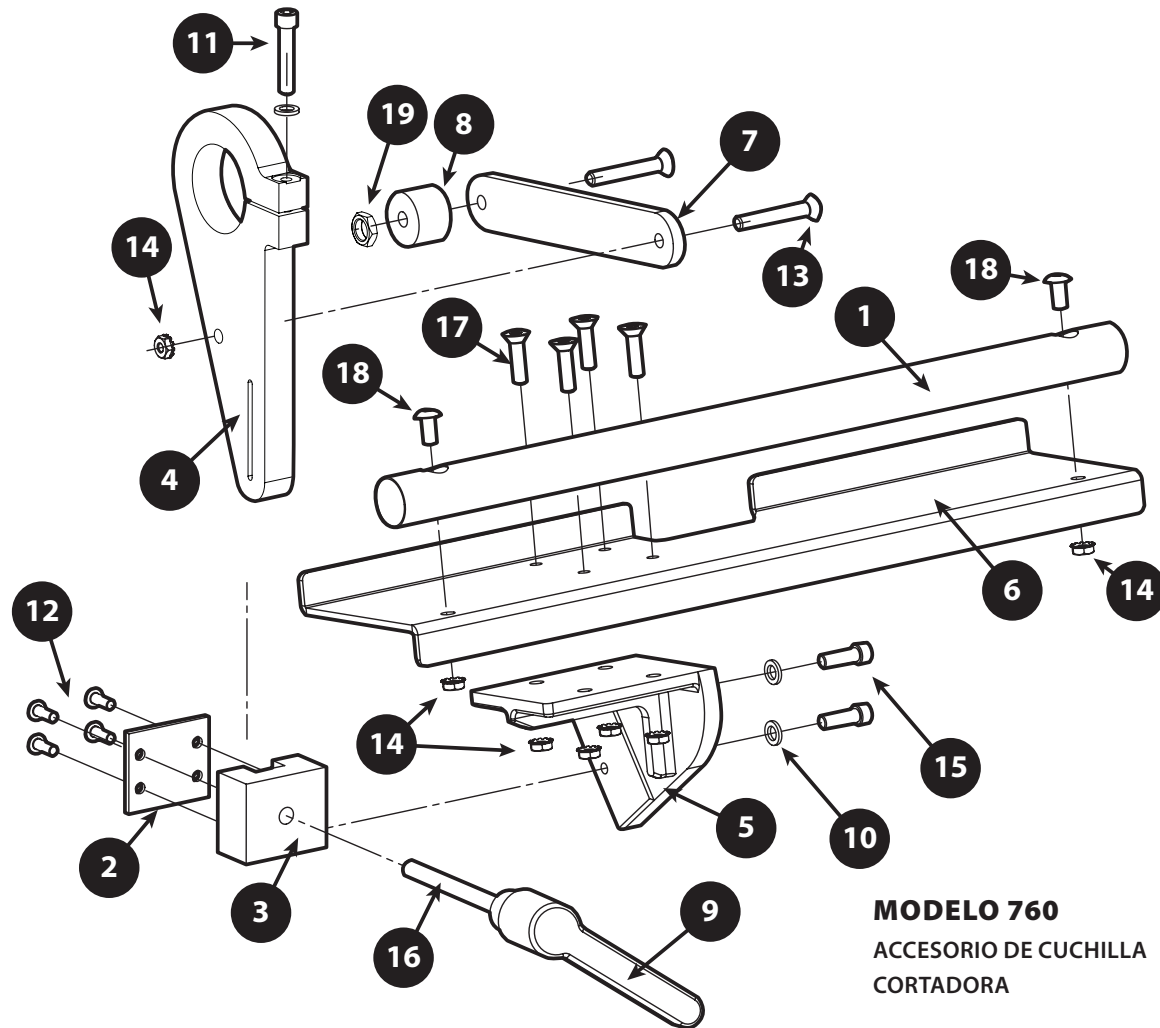
# Partes de repuesto

## PARTES DISPONIBLES

Consulte el diagrama de partes al realizar su pedido. Aunque no todos los componentes de los accesorios son reemplazables, se ilustran a modo de referencia para localizarlos en la secuencia de ensamblado. Al solicitar partes, suministre el número de modelo de la lijadora, el número de serie y la descripción de la parte.

Para obtener precios actualizados, comuníquese con nosotros:

Oregon Outdoor Equipment Parts, OREGON®, Blount, Inc., P.O. Box 22127, Portland, Oregon 97222, 800-223-5168. O escribanos por correo electrónico a [technicalservices@oregonproducts.com](mailto:technicalservices@oregonproducts.com)



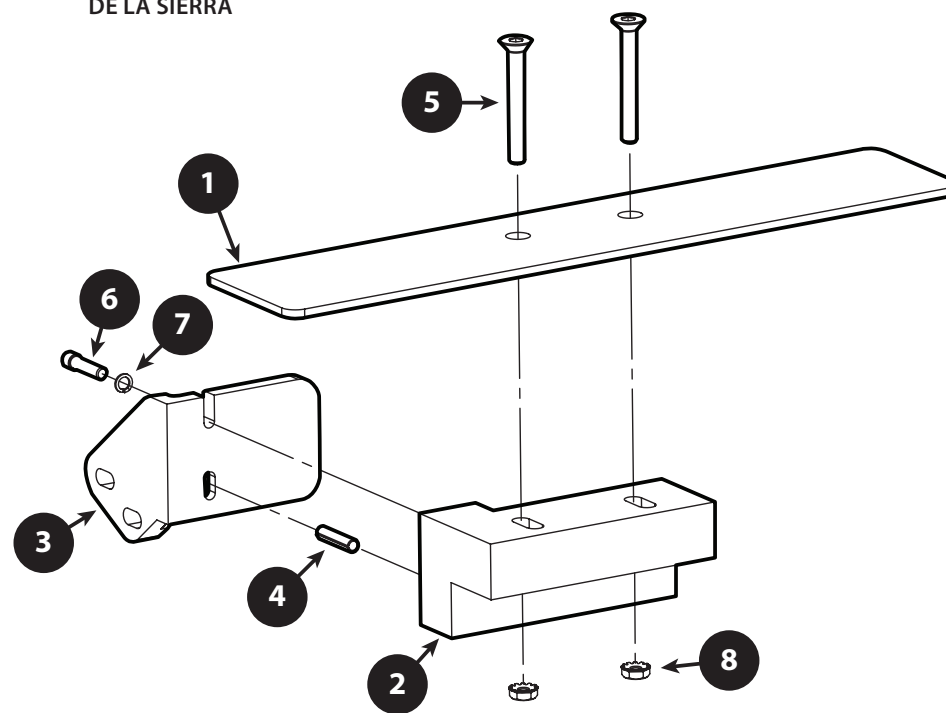
**MODELO 760**  
ACCESORIO DE CUCHILLA  
CORTADORA

PIEZA	N.º DE PARTE	DESCRIPCIÓN
1	9602	Tubo de ángulo
2	9605	Placa de alineación
3	9606	Bloque guía
4	9607	Brazo de soporte de trabajo
5	9608	Soporte de la placa
6	9609	Mesa de trabajo
7	9610	Soporte del brazo
8	9611	Soporte del bloque
9	1203	Palanca de bloqueo del accesorio
10	5	Arandela de 1/4"
11	31	Tornillo de 1/4"-20 x 1-1/4"
12	9	Tornillo de óxido negro de cabeza redonda de 10-24 x 1/2"
13	6	Tornillo de cabeza plana de 1/4"-20 x 1-1/2"
14	4-0013	Tuerca kep de 1/4"-20
15	209	Tornillo de cabeza Allen de 1/4"-20 x 13/4"
16	711B	Eje cromado de 5/16"-18 x 3-3/8"
17	5-0046	Tornillo de cabeza plana de 1/4"-20 x 1-3/4"
18	2-0014	Tornillo de óxido negro de cabeza redonda de 1/4"-28 x 1/2"
19	4-0009	Contratuera cromada de 3/8"-16



PIEZA	N.º DE PARTE	DESCRIPCIÓN
1	9603	Placa de lijado de la sierra
2	9604	Bloque de aluminio
3	9613	Soporte de la placa
4	6-0001	Pasador de rodillo cromado de 3/16" x 1"
5	6	Tornillo de cabeza plana de 1/4"-20 x 1-1/2"
6	13	Tornillo Allen de cabeza hexagonal de 10-24 x 3/4"
7	5-0049	Arandela de fijación de collar alto, n.º 10
8	4-0013	Tuerca kep de 1/4"-20

**PARTE N.º 88-116**  
**ACCESORIO DE LIJADO**  
**DE LA SIERRA**



### **GARANTÍA LIMITADA DE LA POLÍTICA DE SATISFACCIÓN DEL CLIENTE DE OREGON®**

OREGON® | Blount, Inc. garantiza que sus productos están libres de defectos de materiales y de mano de obra, siempre y cuando dichos productos sean de propiedad del comprador minorista original.

Si le agradan nuestros productos, dígaselo a sus amigos. Si no está satisfecho con nuestros productos, por cualquier razón, díganos su opinión. OREGON desea proporcionarle productos que funcionen a su entera satisfacción. No dude en comunicarse con nosotros como se indica en el último párrafo.

LA RESPONSABILIDAD EN VIRTUD DE ESTA GARANTÍA SE LIMITA A PARTES DE REPUESTO, A OPCIÓN DE OREGON Y DE SU DISTRIBUIDOR DE OREGON. PÓNGASE EN CONTACTO CON SU DISTRIBUIDOR DE OREGON O DIRECTAMENTE CON NOSOTROS. LOS PRODUCTOS DE OREGON NO ESTÁN GARANTIZADOS CONTRA EL DESGASTE NORMAL, EL USO INADECUADO DEL USUARIO, O EL MANTENIMIENTO O LA REPARACIÓN INCORRECTOS. LA SUSTITUCIÓN DE PRODUCTOS DEFECTUOSOS ES EL RECURSO EXCLUSIVO EN VIRTUD DE ESTA GARANTÍA Y DE CUALQUIER OTRA GARANTÍA IMPLÍCITA APLICABLE. LA SUSTITUCIÓN SE REALIZARÁ LO ANTES QUE RESULTE RAZONABLEMENTE POSIBLE DESPUÉS DE RECIBIR EL PRODUCTO DEFECTUOSO. EN LA MEDIDA QUE LA LEY LO PERMITA, CUALQUIER GARANTÍA IMPLÍCITA DE COMERCIABILIDAD O DE IDONEIDAD PARA UN FIN ESPECÍFICO APLICABLE A ESTE PRODUCTO SE LIMITA A LA DURACIÓN Y AL ALCANCE DE ESTA GARANTÍA EXPRESA. OREGON NO SERÁ RESPONSABLE POR NINGÚN DAÑO RESULTANTE O INCIDENTAL. ALGUNOS ESTADOS NO PERMITEN APLICAR LIMITACIONES SOBRE LA DURACIÓN DE UNA GARANTÍA IMPLÍCITA. ESTA GARANTÍA OTORGA DERECHOS LEGALES ESPECÍFICOS AL PROPIETARIO ORIGINAL Y ES POSIBLE QUE USTED TENGA ADEMÁS OTROS DERECHOS QUE VARÍAN SEGÚN EL ESTADO.

Para comunicarse con nosotros en EE. UU. por problemas de partes de equipos para exteriores de OREGON (cuchillas de podadoras y partes de repuesto para motores pequeños, podadoras y otros equipos eléctricos para exteriores), llámenos al 800-223-5168, de lunes a viernes de 7:30 a. m. a 4:30 p. m. (hora del Pacífico de EE. UU.) o escribanos a: Technical Services Department, Oregon Outdoor Equipment Parts, OREGON®, Blount, Inc., P.O. Box 22127, Portland, Oregon 97222. O escribanos por correo electrónico a [technicalservices@oregonproducts.com](mailto:technicalservices@oregonproducts.com)





Blount, Inc.  
Portland, Oregon 97222 USA / États-Unis  
800-223-5168  
[oregonproducts.com](http://oregonproducts.com)  
F/N 564916 Rev. AA 12/13