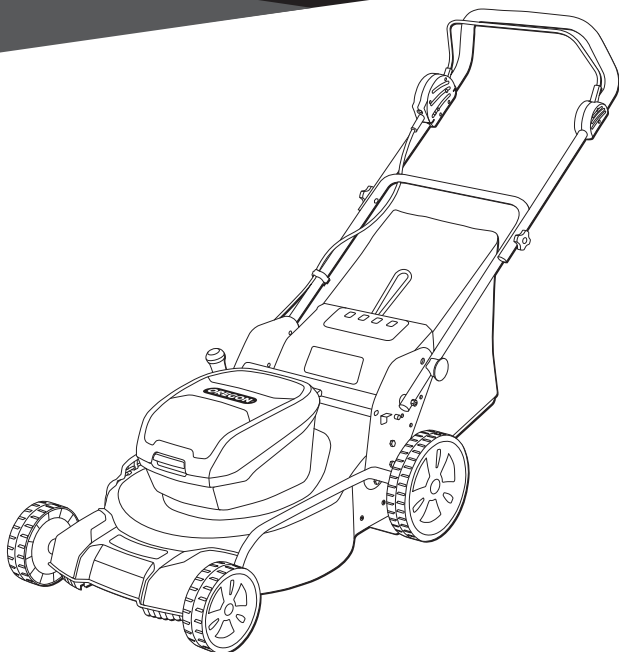


OREGON®



**Original Instruction Manual
Lawn Mower Model LM400**

**Manuel d'Instructions Original
Tondeuse à Gazon Modèle LM400**

**Manual de Instrucciones Original
Cortacésped Modelo LM400**

**Manual de Instruções Original
Cortacésped Modelo LM400**



English	4
-------------------	---

⚠ WARNING: Read and understand all safety warnings and all instructions. Failure to follow the warnings and instructions may result in electric shock, fire and/or serious injury. Save all warnings and instructions for future reference.

This instruction manual contains translations of a manual drafted in English and are provided to assist those who do not speak English as their first language. Being a technical writing, some terms may not have a like or equivalent meaning as translated. Therefore, you should not rely on this translation, and should cross-reference the English version, where relying on the translated instructions could result in harm to your person or property.

Français.	18
-------------------	----

⚠ AVERTISSEMENT : Prenez connaissance de tous les avertissements et consignes de sécurité. L'inobservation de ces avertissements et consignes comporte des risques d'électrocution, d'incendie et/ou de lésions graves. Rangez ces consignes et avertissements en lieu sûr afin de pouvoir les consulter ultérieurement.

Ce manuel d'utilisation contient plusieurs traductions d'un document rédigé en anglais. Ces traductions visent à aider les utilisateurs dont l'anglais n'est pas la langue maternelle. Comme il s'agit d'un document technique, certains termes sont susceptibles de prendre une signification différente après traduction. Par conséquent, vous ne devez pas vous fier aveuglément à cette traduction. Reportez-vous à la version anglaise si vous percevez que le respect des consignes traduites pourrait occasionner des dommages matériels ou des lésions corporelles.

Español.	32
------------------	----

⚠ ADVERTENCIA: Lea y entienda todas las advertencias de seguridad e instrucciones. El incumplimiento de las advertencias e instrucciones puede dar lugar a descargas eléctricas, incendios o lesiones graves. Guarde todas las advertencias e instrucciones para referencia futura.

Este manual de instrucciones contiene traducciones de un manual redactado en inglés y se ofrece para ayudar a aquellos que no hablan inglés como primer idioma. Al tratarse de un texto técnico, algunos términos pueden no tener un significado similar o equivalente en la traducción. Por lo tanto, no debe confiar en esta traducción, y debería ir consultando la versión inglesa en aquellos puntos donde la confianza en las instrucciones traducidas pueda causar daños a su persona o a la propiedad.

Português	46
---------------------	----

⚠ ADVERTÊNCIA: Leia e entenda todas as advertências e instruções de segurança. A falha em seguir todas as advertências e instruções pode resultar em choque elétrico, incêndio e/ou lesão pessoal séria. Preserve todas as advertências e instruções para consulta futura.

Este manual de instruções contém traduções de um manual escrito em inglês, e tem a finalidade de ajudar quem não fala inglês como idioma nativo. Como se trata de escrita técnica, alguns termos podem não ter um significado semelhante ou equivalente quando traduzidos. Portanto, não confie unicamente nesta tradução. Consulte a versão em inglês quando confiar na tradução em português puder resultar em danos pessoais ou à propriedade.

Table of Contents

Important Safety Instructions	5
General Operation	5
Slope Operation	6
Children	6
Service	7
Battery Packs and Charging	7
Storage	8
Transport	8
Disposal	8
Symbols and Labels.	9
Product Identification	10
Assembly.	11
Battery Pack and Charger	13
Troubleshooting.	14
Specifications	16
Warranty and Service	17
Figures	60

Important Safety Instructions

SAFE PRACTICES FOR PEDESTRIAN-CONTROLLED MOWERS

⚠ WARNING: When using cordless lawn mowers, basic safety precautions should always be followed to reduce the risk of fire, electric shock, and personal injury, including the following:

This cutting machine is capable of amputating hands and feet and throwing objects. Failure to observe the following safety instructions could result in serious injury or death.

General Operation

Read, understand, and follow all instructions on the machine and in the manual(s) before starting.

Prevent unintended starting. Ensure the switch is in the off position before inserting battery pack. Inserting the battery pack into machines that have the switch on invites accidents.

Keep hands and feet away from cutting area. Keep clear of the discharge opening at all times.

Only allow responsible adults who are familiar with the instructions to operate this machine. This tool is not intended for use by persons (including children) with reduced physical, sensory or mental capabilities, or lack of experience and knowledge.

Maintain Lawn Mower With Care – Keep cutting edges sharp and clean for best and safest performance.

Follow instructions for lubricating and changing accessories.

Keep handles dry, clean, and free from oil and grease.

Objects struck by the lawn mower blade can cause severe injuries to persons. Clear the area of objects such as rocks, wire, toys, etc., which could be thrown by the blade prior to each mowing. Stay behind the handle when the motor is running.

If lawn mower strikes a foreign object, follow these steps:

- Stop lawn mower. Release the switch.
- Remove battery pack.
- Inspect for damage.
- Repair any damage before restarting and operating the lawn mower.

Be sure the area is clear of children and other bystanders before operating. Stop machine if anyone enters the area. The operator or user is responsible for accidents or hazards occurring to other people or their property.

Do not operate machine barefooted or while wearing sandals. Always wear substantial footwear.

Dress Properly – Do not wear loose clothing or jewelry. They can be caught in moving parts. Use of rubber gloves and footwear is recommended when working outdoors. Wear long pants.

Always wear eye protection when operating machine.

Always use face or dust mask if operation is dusty.

Never mow by pulling the mower towards you. Disengage the switch lever to turn off the machine and use extreme caution when stepping back or pulling the machine towards you. Always look down and behind before and while moving backward.

Always stand clear of the discharge zone when operating the machine. Never direct discharged material toward anyone. Avoid discharging material against a wall or obstruction. Material may ricochet back toward the operator.

Turn off the machine by disengaging the switch lever when crossing gravel and other surfaces other than grass.

Never pick up or carry the machine while the motor is running.

Always inspect all guards, shields and safety devices prior to each use. Do not operate machine without the entire grass catcher, discharge guard, rear guard, or other safety protective devices in place and working.

Do not tilt the machine when starting or switching on the motor, except if the machine has to be tilted for starting in long grass. In this case, do not tilt it more than absolutely necessary and tilt only the part which is away from the operator.

Always ensure that both hands are in the operating position before returning the machine to the ground.

Switch on the motor according to the instructions with feet well away from rotating parts.

Never leave a running machine unattended.

Stop the motor, wait until the blade comes to a complete stop and remove the battery before cleaning the machine, removing grass catcher, or unclogging the discharge guard.

Operate machine only in daylight or good artificial light.

Do not operate machine while under the influence of alcohol or drugs.

Do not use battery-operated lawn mower in rain.

Avoid Dangerous Environment – Don't use lawn mowers in damp or wet locations.

Never operate mower in wet grass. Wet grass may cause the operator to slip. Always be sure of your footing; walk, never run.

If the machine should start to vibrate abnormally, stop the motor and check for the cause immediately. Vibration is generally a warning of trouble.

Use Right Appliance – Do not use lawn mower for any job except that for which it is intended.

Don't Force Lawn Mower – It will do the job better and safer at the rate for which it was designed.

Don't Overreach – Keep proper footing and balance at all times.

Stay Alert – Watch what you are doing. Use common sense. Do not operate lawn mower when you are tired.

See manufacturer's instructions for proper operation and installation of accessories. Only the accessories and attachments originally provided with the lawn mower are approved by the manufacturer.

Always store the lawn mower in a cool, dry place and out of direct sunlight. Long exposure to sunlight and UV rays can degrade plastics overtime, potentially causing guards to fail.

Slope Operation

Slopes are a major factor related to slip and fall accidents, which can result in severe injury. Operation on all slopes requires extra caution. If you feel uneasy on a slope, do not mow it.

Mow across the face of slopes; never up and down. Exercise extreme caution when changing direction on slopes.

Watch for holes, ruts, bumps, rocks, or other hidden objects. Uneven terrain could cause a slip and fall accident. Tall grass can hide obstacles.

Avoid mowing on wet grass or excessively steep slopes (> 15°). Poor footing could cause a slip and fall accident.

Exercise extreme caution when changing direction, especially on slopes.

Do not mow near drop offs, ditches, or embankments. You could lose your footing or balance.

Children

Tragic accidents can occur if the operator is not alert to the presence of children. Children are often attracted to the machine and the mowing activity. Never assume that children will remain where you last saw them.

Remove the safety key whenever you leave or store the machine. Store in a secure and locked-up place – out of reach of children.

Keep children out of the mowing area and under the watchful care of a responsible adult other than the operator.

Be alert and turn mower off if a child enters the area.

Never allow children to operate the machine.

Use extra care when approaching blind corners, shrubs, trees, or other objects that may block your view of a child.

Service

Always remove the battery pack before adjusting, cleaning, repairing, or storing to prevent unintended starting. Such preventative safety measures reduce the risk of starting the lawn mower accidentally.

Cleaning is never to be done by children and only by adults familiar with the product

Store Idle Lawn Mower Indoors – When not in use, lawn mower should be stored in an indoor dry and locked-up place – out of reach of children

Keep guards in place and in working order.

Keep blades sharp.

Use identical replacement blades only. Use of any other accessory or attachment might increase the risk of injury.

Keep all nuts and bolts tight to be sure the equipment is in safe working condition.

Never remove or tamper with safety devices. Check their proper operation regularly. Never do anything to interfere with the intended function of a safety device or to reduce the protection provided by a safety device.

Keep machine free of grass, leaves, or other debris build up.

If you strike a foreign object, stop and inspect the machine. Repair, if necessary, before starting.

Never make any adjustments or repairs with the motor running.

Check grass catcher components and the discharge guard frequently and replace with manufacturer's recommended parts, when necessary.

Ensure that all replacement or service parts are approved by the manufacturer.

Mower blades are sharp. Wrap the blade or wear gloves, and use extra caution when servicing them.

Be careful during adjustment of the machine to prevent entrapment of the fingers between moving blade and fixed parts of the machine

When servicing the blades be aware that, even though the power source is switched off, the blade can still be moved.

Maintain or replace safety and instruction labels, as necessary.

Battery Packs and Charging

Do not charge battery pack in rain, or in wet locations. Keep the battery charger away from rain or moisture. Penetration of water in the battery charger increases the risk of an electric shock.

Do not use battery-operated lawn mower in rain.

Remove or disconnect battery before servicing, cleaning, or removing material from the lawn mower.

Use lawn mower only with Oregon Series B specifically designated battery packs (Oregon® B425E, B426, B600E, B650E, B662, B742). Use of any other battery packs may create a risk of injury and fire.

Recharge only with the charger specified by the manufacturer, Oregon C650, or C750. A charger that is suitable for one type of battery pack may create a risk of fire when used with another battery pack.

Do not charge other batteries on the charger. The battery charger is suitable only for charging manufacturer specific and approved lithium ion batteries within the listed voltage range. Otherwise there is danger of fire and explosion.

Before each use, check the battery charger, cable and plug. If damage is detected, do not use the battery charger. Never open the battery charger yourself. Have repairs performed only by a qualified technician and only using original spare parts. Damaged battery chargers, cables and plugs increase the risk of an electric shock.

Keep the battery charger clean. Contamination can lead to danger of an electric shock.

Occasionally clean the venting slots of the battery using a soft, clean and dry brush.

Do not dispose of the battery in a fire. The cell may explode. Check with local codes for possible special disposal instructions.

Do not open or mutilate the battery. Released electrolyte is corrosive and may cause damage to the eyes or skin. It may be toxic if swallowed.

Exercise care in handling batteries in order not to short the battery with conducting materials such as rings, bracelets, and keys. The battery or conductor may overheat and cause burns

When battery pack is not in use, keep it away from other metal objects like paper clips, coins, keys, nails, screws, or other small metal objects that can make a connection from one terminal to another. Shorting the battery terminals together may cause burns or a fire.

Under abusive conditions, liquid may be ejected from the battery; avoid contact. If contact accidentally occurs, flush with water. If liquid contacts eyes, additionally seek medical help. Liquid ejected from the battery may cause irritations or burns.

In case of damage and improper use of the battery, vapors may be emitted. Ventilate the area and seek medical help in case of complaints. The vapors can irritate the respiratory system.

Do not use a battery pack or lawn mower that is damaged or modified. Damaged or modified batteries may exhibit unpredictable behavior resulting in fire, explosion or risk of injury.

Do not expose a battery pack or lawn mower to fire or excessive temperature such as continuous intense sunlight or stored in a hot vehicle. Exposure to fire or temperature above 130°C may cause explosion. Store the battery only within a temperature range between 0 °C and 40 °C.

Follow all charging instructions and do not charge the battery pack or lawn mower outside of the temperature range specified in the instructions. Charging improperly or at temperatures outside the specified range may damage the battery and increase the risk of fire.

Do not operate the battery charger on easily inflammable surfaces (e.g., paper, textiles, etc.) or surroundings. The heating of the battery charger during the charging process can pose a fire hazard.

Have servicing performed by a qualified repair person using only identical replacement parts. This will ensure that the safety of the product is maintained.

Do not attempt to repair the lawn mower or battery pack except as indicated in the instructions for use and care.

Storage

Always store the lawn mower in a cool, dry place and out of direct sunlight. Long exposure to sunlight and UV rays can degrade plastics overtime, potentially causing guards to fail.

Transport

The contained lithium-ion batteries are subject to the Dangerous Goods Legislation requirements. The user can transport the batteries by road without further requirements.

When being transported by third parties (e.g.: air transport or forwarding agency), special requirements on packaging and labeling must be observed. For preparation of the item being shipped, consulting an expert for hazardous material is required.

Ship batteries only when the housing is undamaged.

Tape or mask off open contacts and pack up the battery in such a manner that it cannot move around in the packaging.

Please also observe possibly more detailed national regulations.













Disposal

Do not dispose of garden products, battery chargers and batteries/rechargeable batteries into household waste.

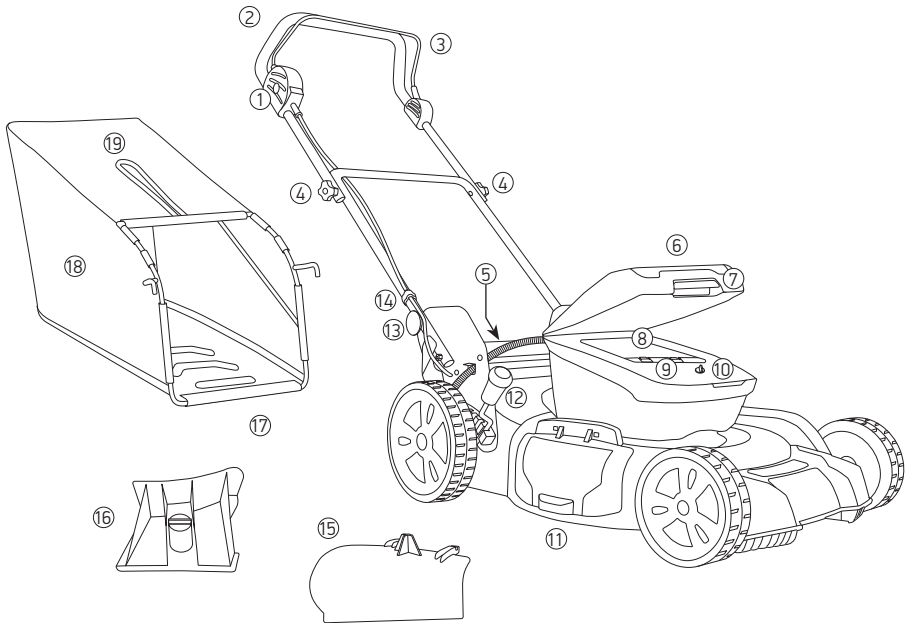
SAVE THESE INSTRUCTIONS

Symbols and Labels

These symbols and labels appear on the lawn mower, battery, and charger.

SYMBOL	NAME	EXPLANATION
	General Hazard Safety Alert	The text that follows explains a danger, warning, or caution.
	Read Instruction Manual	The original instruction manual contains important safety and operating information. Read and follow the instructions carefully.
	Maintain Safety Devices	Do not open or remove safety shields while the tool is running.
	Keep Bystanders Away	Do not mow when children or others are too close.
	Look Behind While Backing	Look down and behind first to avoid tripping when pulling back.
	Steep Slope Hazard	Use extra caution on slopes. Do not mow slopes greater than 15 degrees.
	Remove Safety Key	Switch off and remove safety key before adjusting, cleaning and before adjusting. Cleaning leaving the product unattended for any period.
	Wear Eye Protection	Wear eye protection when operating the machine.
	Wear Hearing Protection	Wear hearing protection when operating the machine.
	Wear Hand Protection	Wear gloves when operating the machine or touching the stopped blades.
	Wear Long Pants	Wear long pants when operating the lawn mower.
	Wear Foot Protection	Wear appropriate closed-toe work boot when operating the lawn mower.
	Do Not Incinerate	Do not dispose in flames.
	Do Not Dispose	Do not throw in the household waste. Take to an authorized recycler.
	Do Not Expose To Rain	Do not operate the charger in wet conditions.
	Operating Temperature	Only use the battery pack at a temperature between 32°F to 104°F (0°C and 40°C).
	Remove Battery	Remove the battery before performing any maintenance.

Product Identification



- | | |
|--------------------------|-----------------------------------|
| ① Safety Button | ⑪ Side Discharge Cover |
| ② Handlebar | ⑫ Cutting Height Adjustment Lever |
| ③ Switch Lever | ⑬ Handle Adjustment Knob |
| ④ Handlebar Knobs | ⑭ Cable Clip |
| ⑤ Rear Discharge Cover | ⑮ Side Discharge Chute |
| ⑥ Battery Cover | ⑯ Mulching Plug |
| ⑦ Locking Handle | ⑰ Debris Bag |
| ⑧ Battery Ports | ⑱ Mesh Debris Bag |
| ⑨ Battery Release Levers | ⑲ Metal Debris Frame |
| ⑩ Safety Key | |

Assembly

Intended Use

The garden product is intended for domestic lawn mowing.

⚠ WARNING: Make sure the battery is removed from the machine.

Assembling the Handle (Fig. A)

Fix the upper handle to the frame of the lower handle and secure using the knobs, bolts, and washers (Fig. A). Hand tighten the knobs.

Inserting and Removing the Battery Pack (Fig. B - C)

⚠ WARNING: Ensure the safety key is turned off before inserting or removing the battery pack.

To insert the battery pack, lift the locking handle (1) on the machine battery cover and lift the cover (2) (Fig. B). Insert the battery pack into the desired battery position, ensuring the small rails on the cover align with the rail slots on the battery pack. Firmly push the battery pack into place, until you hear an audible click sound. The unit is capable of holding two batteries. However it requires only one to operate. Close the battery cover.

To remove the battery pack, open the battery cover. Lift the battery release lever (1) in front of the battery pack to release the battery pack (Fig. C). The spring loaded lever will release the battery pack, allowing you to pull the battery pack out of the machine. Close the cover to prevent accidental damage to the machine.

Adjusting the Cutting Height (Fig. D)

Your lawn mower is equipped with a central height adjustment system, offering six height settings. The settings are approximately 1 in (25 mm), 1 3/8 in (35 mm), 1 3/4 in (45 mm), 2 1/8 in (55 mm), 2 1/2 in (65 mm), and 3 in (75 mm). The actual cutting height may vary slightly.

To adjust the cutting height of the machine, position the lever (1) to the desired height position (Fig. D). The numbers indicated on the body of the machine (1, 2, 3, 4, 5, 6) indicates the approximate cutting height of the machine in that position. The lower the number, the shorter the grass will be cut.

Always perform a small test by cutting the grass at higher settings and adjusting down to determine your desired cutting height.

Adjusting the Handle (Fig. E)

Pull and twist the knob on the left side of the unit (1), so that the knob rests on the handle. On the opposite side, with one hand pull the knob (2) and adjust the handle to the desired position (Fig. E). Release the knob so that the spring loaded shaft sits in the location hole (3). Pull and twist the opposite knob so that the spring loaded shaft returns to its seated position (4).

Using the Safety Key (Fig. F)

The safety key is an important safety device on the machine. The motor and blades of the machine can only be started when the safety key is inserted and rotated to the "ON" position. Only insert the safety key when you intend to start the machine and turn the blades.

To insert the safety key, push the safety key into the socket, by aligning the small tab on the key to the slot in the socket (1) (Fig. F).

To turn the machine to the "ON" position, point the arrow on the safety key towards the desired battery you want to use (2). When the lawn mower stops because the battery is discharged, open the battery cover, and if you have two batteries inserted, turn the key towards the other battery. This is an opportune time to place the discharge battery in an Oregon charger.

To turn the machine to the "OFF" position, and to remove the key, rotate the key so the small indicator arrow on the key points to the "O". You may remove the key.

The motor can be started only when the safety key is fitted.

Operation (Fig. G)

First, make sure you are in the proper cutting area. Ensure the cutting area is free of bystanders and foreign objects. Inspect the machine for any possible damage or unsafe conditions.

Ensure the cutting height of the machine is at your desired height.

Ensure the safety key points toward one battery position.

Press and hold the safety button **(1)**, squeeze the switch lever **(2)** towards the handlebar **(Fig. G)**.

When the unit starts, release the safety button **(1)**. Maintain squeezing the switch lever with two hands during use.

Releasing the switch lever will disengage power to the unit. The blades may continue to rotate for a period of time after power is disengaged.

Stopping the Machine (Fig. H)

Release the switch lever **(1)** **(Fig. H)**. Releasing the switch lever will disengage power to the unit. The blades may continue to rotate for a period of time after power is disengaged.

Using Rear Bagging (Fig. I - J)

Assemble the debris bag by inserting the metal frame into the soft mesh bag **(1)** and connecting the plastic clips from the soft mesh bag to the metal frame **(2)** **(Fig. I)**.

To attach the debris bag to the machine, lift and hold the discharge cover **(1)** with one hand, and with the opposite hand, place the two hooks **(2)** from the debris bag onto the metal shaft **(3)** on each side of the discharge cover **(Fig. J)**. Release the spring loaded discharge cover, allowing the cover to collapse over the opening between the debris bag and the machine.

Using the Side Discharge (Fig. K)

First, take the debris bag off. In a slight downward angle, position the front and rear hooks of the discharge chute onto the metal pin of the side cover **(1)** **(Fig. K)**. Rotate the chute down causing the hooks to lock in place **(2)**. Release the side cover with your hand, check the chute is properly in place.

Using the Mulching Plug (Fig. L)

Lift the discharge cover and remove the debris bag **(1)** **(Fig. L)**. Hold the discharge cover with one hand, and with the opposite hand, place the mulching plug in the rear discharge chute **(2)**. Release the spring loaded discharge cover.

Replacing or Sharpening the Cutting Blade

▲ WARNING: Always remove the battery and the safety key when performing any maintenance.

The cutting blade is designed to be a replacement item and may need sharpening from time to time. Sharpen when dull. Replace when damaged. Contact your dealer or the manufacturer for proper instructions.

Storage (Fig. M - N)

Pull and twist the knob on the left side of the unit, so that the knob rests on the handle **(1)**. On the opposite side, with one hand pull the knob **(2)** and with the other hand pull down the handle to the front of the lawn mower **(3)** **(Fig. L)**. Then, lift the machine from the front until it rests safely on the rear frame of the machine **(Fig. M)**.

Battery Pack and Charger

⚠ WARNING: To reduce the risk of shock, do not charge the battery pack in the rain.

BATTERY PACK LED CHARGE-LEVEL INDICATOR

The lithium ion battery pack is equipped with an LED charge-level indicator. To test the charge level of the battery pack, press the indicator button on the battery pack's face.

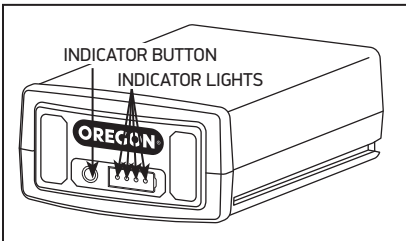
No lights: recharge.

One steady green light:
less than 25% charged.
Charge battery pack before use.

Two steady green lights:
26–50% charged.

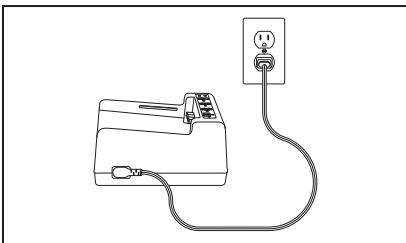
Three steady green lights:
51–75% charged.

Four steady green lights:
76–100% charged.



CONNECTING THE CHARGER

If the charger includes a separate power cord, connect the charger cord to the charger and to the proper electrical outlet.



Only use the cord set that was supplied with the charger. At first use, verify that the plug type matches the receptacle.

CHARGER LED CHARGE-STATE INDICATOR

The battery charger is equipped with an LED charge-state indicator that indicates the state of charging as well as conditions that may delay or prevent charging.

Note: Until a battery pack is inserted, no lights will be visible.

A line drawing of the charger's LED indicator panel. It features a row of five icons: a battery with a lightning bolt, a battery with a gear, a battery with a single dot, a battery with a lightning bolt and gear, and a battery with a lightning bolt and a plug. Lines connect these icons to descriptive text:

- Blinking orange light: a fault condition exists. There are several potential causes. See "Troubleshooting" in this manual.
- Steady orange light: the battery pack temperature is beyond the acceptable range (32°F/0°C to 104°F /40°C). Allow the battery pack to reach the acceptable temperature range before charging. The pack may be left on the charger as the temperature adjusts. Charging will begin when the proper temperature is reached.
- Blinking green light: battery pack is charging.
- Steady green light: battery pack is ready for use.

CHARGING THE BATTERY

⚠ WARNING: Failure to follow proper charging procedures may cause excessive voltage, excessive current flow, loss of control during charging, leakage of hazardous chemicals, heat generation, bursting or fire. Follow these charging instructions.

With the charger cord connected to the charger and plugged into a electrical outlet, align the grooves on the battery with the rails on the charger and slide the battery pack onto the charger until fully seated.

For more information, please refer to your battery and charger manuals.

Troubleshooting

Use this table to see possible solutions for possible problems with the lawn mower. If these suggestions do not solve the problem, see “Warranty and Service”.

SYMPTOM	POSSIBLE CAUSE	RECOMMENDED ACTIONS
Tool fails to operate	Possible clogging	Remove battery, remove safety key. Clear obstructions. Check underneath the garden product and clear out as necessary (always wear gardening gloves).
	Battery not fully charged	Charge battery.
	Battery not inserted (properly)	Properly insert battery.
	Grass too long	Increase height of cut and tilt garden product to reduce starting load.
	Motor protector has activated	Allow motor to cool and increase height of cut.
	Safety key pointing towards a discharge battery	Check if the safety key points towards a charged battery.
	Battery too hot/cold	Allow to cool/warm.
	Safety key not inserted correctly/fully	Insert safety key correctly.
	There is a short delay in the motor starting after engaging the safety button switch	Hold safety button for 1 – 3 seconds before engaging switch lever to start motor.
Motor starts and stops immediately	Battery not fully charged	Charge battery.
	Isolator key not inserted correctly/fully	Insert safety key correctly.
	Battery not inserted (properly)	Properly insert battery.
	Battery too hot/cold	Allow to cool/warm.
Tool functions intermittently	Internal wiring of garden product damaged	Contact service agent.
	Motor protector has activated	Allow motor to cool and increase height of cut.

SYMPTOM	POSSIBLE CAUSE	RECOMMENDED ACTIONS
Garden product leaves ragged finish and/or Motor labours	Height of cut too low	Increase height of cut.
	Cutting blade dull	Replace the blade or sharpen the blade.
	Possible clogging	Remove battery, remove safety key. Check underneath the garden product and clear out as necessary (always wear gardening gloves).
	Blade fitted upside down	Remove battery, remove safety key. Refit blade correctly.
Area of cut (battery duration) not large enough	Height of cut too low	Increase height of cut and walk slower.
	Grass too high	Increase height of cut and walk slower.
	Grass wet or damp	Wait until grass is dry and walk slower.
	Grass is dense	Increase height of cut, walk slower and cut more frequently.
Cutting blade not rotating while garden product switched on	Cutting blade obstructed	Remove battery, remove safety key. Clear obstruction (always wear gardening gloves).
	Blade nut/bolt loose	Remove battery, remove safety key. Tighten blade nut/bolt (15 Nm).
Excessive vibrations/noise	Blade nut/bolt loose	Remove battery, remove safety key. Tighten blade nut/bolt (15 Nm).
No charging procedure possible	Battery contacts contaminated	Clean the battery contacts by inserting and removing the battery several times or replace the battery.
	The battery is defective, due to a disconnection in the battery	Replace the battery.
The charge control LEDs and respectively, do not light up after inserting the mains plug into the socket	Mains plug of battery charger not plugged in (properly)	Insert mains plug (fully) into the socket outlet.
	Socket outlet, mains cable or battery charger defective	Check the mains voltage and, if necessary, have the battery charger checked by an authorized customer service station for power tools.

Specifications

REPLACEMENT COMPONENTS	PART NUMBER	
Side Discharge Chute	596871	
Mulching Plug	597342	
Debris Bag	596862	
Mesh Debris Bag	596862	
Metal Debris Frame	596862	
Replacement Blade Kit	596866	
BATTERY RECHARGEABLE LAWN MOWER		
	LM400	
Blade width	20 in (51 cm)	
Height of cut in (mm)	1 in (25 mm) – 3 in (75 mm)	
Grassbox, capacity	60 l (15.9 gal)	
Weight with battery	58.8 lb (26.6 kg) with one battery	
Serial number	Refer to label on the machine (under discharge cover)	
Sound power level: acoustical energy emitted by the source	LwA.d: 95 dB(A)	
Sound pressure level: what the operator hears	Lpa.d: 80 dB(A), Kpa: 3 dB(A) 3.5 m/s ² , K=1.5 m/s ²	
Hand/arm vibration avhw	< 0.54 m/s ² k= 1.5 m/s ²	
CHARGER, MODEL C650		
Input	100-240V~ 50-60Hz 60W	
Input (U.S. and Canada only)	120V~ 60Hz 60W	
Output	41.5V=== 1.8A	
CHARGER, MODEL C750		
Input	100-240V~ 50-60Hz 260W	
Input (U.S. and Canada only)	120V~ 60Hz 260W	
Output	41V=== 4.6A	
BATTERY PACK		
Type	Lithium Ion	
Operating temperatures	32°F to 104°F (0°C to 40°C)	
Model	Capacity, nominal	Voltage, nominal
B425E	2.6 Ah / 94 Wh	36 VDC
B426	2.6 Ah / 94.9 Wh	36.5 VDC
B600E	4.0 Ah / 144 Wh	36 VDC
B650E	6.0 Ah / 216 Wh	36 VDC
B662	6.0 Ah / 216 Wh	36 VDC
B742	4.0 Ah / 144 Wh	36 VDC

Warranty and Service

Warranty

Blount, Inc. warrants all registered Oregon® Cordless Tools and Chargers for a period of three (3) years and all registered Oregon® Cordless Battery packs for two (2) years from original date of purchase. Registered Oregon® Cordless Tools, Battery Packs and Chargers are warranted for two (2) years if used for commercial purchases. This limited warranty applies to Oregon® Cordless Tools System manufactured products. During the warranty period, Blount will replace or, at its option, repair for the original purchaser only, free of charge, any product or part which is found upon examination by Blount to be defective in material and/or workmanship. The purchaser shall be responsible for all transportation charges and any cost of removing any part submitted for replacement under this warranty.

To register your product, visit the “support” section of **OregonCordless.com**.

Service and Support Information

Visit us on the web at **OregonCordless.com** for service center information, or contact our customer service department at 888.313.8665 for assistance, additional technical advice, repair, or replacement parts.

For safety, use only genuine factory replacement parts on the power tool. Our service center is staffed with trained personnel to efficiently provide support and assistance with adjustment, repair, or replacement of all Oregon® Cordless Tool System products.

Table des matières

Consignes de sécurité importantes	19
Fonctionnement général	19
Fonctionnement en pente	20
Enfants	20
Maintenance	20
Batterie et charge	21
Stockage	22
Transport	22
Mise au rebut	22
Symboles et étiquettes	23
Identification du produit	24
Montage	25
Batterie et chargeur	27
Dépistage des pannes	28
Spécifications	30
Garantie et service	31

Consignes de sécurité importantes

RÈGLES DE SÉCURITÉ POUR LES TONDEUSES À GAZON POUSSÉES

⚠ AVERTISSEMENT : si vous utilisez des tondeuses sans fil, respectez toujours les consignes de sécurité basiques suivantes afin de réduire le risque d'incendie, d'électrocution et de blessure.

Cette machine tranchante est capable d'amputer les mains et les pieds et de projeter des objets. Le non-respect des consignes de sécurité suivantes peut entraîner des blessures graves ou la mort.

Fonctionnement général

Lisez, assimilez et respectez toutes les consignes indiquées sur la machine et dans le(s) manuel(s) avant de l'utiliser.

Évitez toute mise en marche involontaire. Assurez-vous que le commutateur est en position d'arrêt avant d'insérer la batterie. Insérer une batterie dans une machine dont le commutateur est en position de marche peut provoquer des accidents.

Tenez toujours vos mains et pieds à bonne distance de la zone de coupe. Restez toujours à l'écart de l'orifice d'éjection.

Seuls des adultes responsables connaissant bien les consignes peuvent utiliser cette machine. Cet outil n'est pas destiné à être utilisé par des personnes (y compris des enfants) ayant des capacités physiques, sensorielles ou mentales réduites ou manquant d'expérience et de connaissances.

Entretenez soigneusement la tondeuse. Maintenez la lame bien affûtée et propre pour une performance de meilleure qualité et plus sûre.

Respectez les consignes de lubrification et de remplacement des accessoires.

Gardez les poignées sèches et propres, sans huile ni graisse.

Les objets heurtés par la lame de la tondeuse peuvent provoquer des blessures graves. Par conséquent, retirez de la zone tous les objets tels que les pierres, câbles, jouets, etc. pouvant être heurtés par la lame. Restez derrière la poignée lorsque le moteur fonctionne.

Si la tondeuse heurte un corps étranger, procédez comme suit :

- Arrêtez la tondeuse. Relâchez le contacteur.
- Retirez la batterie.
- Vérifiez si des dommages ont été causés.

- Si c'est le cas, réparez-les avant de redémarrer la tondeuse.

Assurez-vous qu'il n'y a aucun enfant ni aucune personne présents dans la zone avant de faire fonctionner la machine. Arrêtez-la si quelqu'un pénètre dans la zone. L'opérateur ou l'utilisateur est responsable des accidents ou mises en danger de tiers ou de leurs propriétés.

N'utilisez pas la machine si vous êtes pieds nus ou portez des chaussures ouvertes. Portez toujours des chaussures solides.

Portez une tenue appropriée. Ne portez pas de bijoux ou de vêtements amples. Ils pourraient être happés par des composants mobiles. L'utilisation de gants en caoutchouc et de chaussures est recommandée lorsque vous travaillez en extérieur. Portez un pantalon long.

Portez toujours des lunettes de protection lorsque vous utilisez la machine.

Portez toujours un masque de protection ou anti-poussière si vous travaillez dans un environnement poussiéreux.

Ne tondez jamais en tirant la tondeuse vers vous. Relâchez le levier de contact pour arrêter la machine et soyez très prudent lorsque vous reculez ou tirez la machine vers vous. Regardez toujours par terre et derrière vous avant et pendant que vous reculez.

Éloignez-vous toujours de la zone d'éjection lorsque vous utilisez la machine. N'orientez jamais le matériau éjecté vers une personne. Évitez d'éjecter le matériau contre un mur ou un obstacle. Le matériau pourrait ricocher et heurter l'opérateur.

Arrêtez la machine en relâchant le levier de contact lorsque vous traversez des surfaces gravillonnées ou non gazonnées.

Ne soulevez et ne portez jamais la machine lorsque son moteur tourne.

Inspectez toujours tous les carénages, protections et dispositifs de sécurité avant chaque utilisation. Ne faites pas fonctionner la machine si le collecteur d'herbe, la protection de l'éjection, la protection arrière ou d'autres dispositifs de sécurité ne sont pas intégralement installés et opérationnels.

Ne soulevez pas la machine lorsque vous démarrez le moteur, sauf si la machine doit être soulevée pour pouvoir démarrer dans l'herbe haute. Dans ce cas, ne la soulevez pas plus que ce qui est absolument

nécessaire et soulevez uniquement la partie éloignée de l'opérateur.

Assurez-vous toujours que les deux mains sont en position opérationnelle avant de reposer la machine au sol.

Démarrez le moteur selon les instructions, en éloignant vos pieds des pièces rotatives.

Ne laissez jamais une machine en marche sans surveillance.

Arrêtez le moteur, attendez que la lame se soit complètement arrêtée et retirez la batterie avant de nettoyer la machine, de retirer le collecteur d'herbe ou de déboucher la protection de l'éjection.

Utilisez la machine uniquement de jour ou dans de bonnes conditions d'éclairage artificiel.

N'utilisez pas la machine si vous êtes sous l'influence de l'alcool ou de la drogue.

N'utilisez pas une tondeuse fonctionnant sur batterie sous la pluie.

Évitez les environnements dangereux. N'utilisez pas la tondeuse dans un endroit humide ou mouillé.

N'utilisez jamais la tondeuse dans de l'herbe mouillée. L'herbe humide peut faire glisser l'opérateur. Gardez toujours un bon équilibre ; marchez et ne courez jamais.

Si la machine commence à vibrer anormalement, arrêtez le moteur et cherchez immédiatement la cause du problème. Les vibrations sont généralement le signe d'un problème.

Choisissez le matériel adapté. N'utilisez pas la tondeuse pour une tâche pour laquelle elle n'est pas conçue.

Ne forcez pas sur la tondeuse. Elle accomplira parfaitement sa tâche en toute sécurité à la vitesse pour laquelle elle a été conçue.

Ne prenez pas de risques. Veillez en toutes circonstances à prendre appui sur vos deux pieds et à maintenir votre corps en équilibre.

Restez vigilant. Concentrez-vous sur votre travail. Faites preuve de bon sens. N'utilisez pas la tondeuse si vous êtes fatigué.

Consultez les consignes du fabricant relatives au bon fonctionnement et à l'installation des accessoires. Seuls les accessoires d'origine (fournis avec la tondeuse) sont approuvés par le fabricant.

Stockez toujours la tondeuse dans un endroit frais et sec, à l'abri de la lumière directe du soleil. Une exposition prolongée aux rayons du soleil et aux UV

peut abîmer le plastique et réduire la performance des protections.

Fonctionnement en pente

Les pentes constituent la principale cause des glissades et chutes qui peuvent entraîner des blessures graves. L'utilisation de la tondeuse dans une pente, quelle qu'elle soit, nécessite la plus grande prudence. Si vous n'êtes pas à l'aise sur une pente, ne la tondez pas.

Passer la tondeuse perpendiculairement à la pente ; jamais de haut en bas. Soyez extrêmement prudent lorsque vous changez de direction sur une pente.

Faites attention aux trous, omières, bosses, pierres ou autres objets cachés. Un terrain irrégulier peut provoquer une chute ou une glissade. Les herbes hautes peuvent masquer des obstacles.

Évitez de tondre de l'herbe humide ou des pentes excessivement raides (> 15°). Un mauvais équilibre pourrait causer une glissade ou une chute.

Soyez extrêmement prudent lorsque vous changez de direction, en particulier sur une pente.

Ne tondez pas à proximité de ravins, de fossés ou de berges. Vous pourriez perdre l'équilibre.

Enfants

Des accidents tragiques peuvent se produire si l'opérateur ne prête pas attention à la présence d'enfants. Ces derniers sont souvent attirés par la machine et la tonte. Ne supposez jamais qu'un enfant va rester à l'endroit où vous l'avez vu pour la dernière fois.

Retirez la clé de sécurité chaque fois que vous vous éloignez de la machine ou que vous la remisez. Stockez-la dans un lieu sûr et fermé, hors de portée des enfants.

Veillez à ce que les enfants restent à l'écart de la zone de tonte et soient surveillés par un adulte responsable autre que l'opérateur.

Soyez vigilant et éteignez la tondeuse si un enfant pénètre dans la zone.

Ne laissez jamais un enfant utiliser la machine.

Redoublez de vigilance à proximité d'un passage sans visibilité, d'arbustes, d'arbres ou d'autres éléments pouvant masquer la présence d'un enfant.

Maintenance

Retirez toujours la batterie avant de régler, nettoyer, réparer ou stocker la machine afin d'éviter tout

démarrage accidentel. De telles mesures de sécurité préventives réduisent le risque de démarrage accidentel de la tondeuse.

Le nettoyage ne doit jamais être réalisé par des enfants mais seulement par des adultes connaissant bien le produit.

Si vous n'utilisez pas votre tondeuse, stockez-la à l'intérieur, dans un lieu sec et fermé, hors de portée des enfants.

Laissez les protections en place et en état de fonctionner.

Maintenez les lames affûtées.

Remplacez les lames usées par des lames identiques uniquement. L'utilisation d'autres accessoires pourrait augmenter le risque de blessures.

Veillez à ce que les écrous et boulons soient fermement serrés afin de vous assurer que l'équipement est en état de fonctionner et sûr.

Ne retirez jamais les dispositifs de sécurité et n'essayez jamais de les modifier. Vérifiez régulièrement qu'ils fonctionnent correctement. Ne faites jamais rien qui pourrait interférer avec le fonctionnement prévu d'un dispositif de sécurité ou pourrait réduire la protection assurée par un dispositif de sécurité.

Retirez l'herbe, les feuilles ou d'autres débris ayant pu s'accumuler sur la machine.

Si vous heurtez un corps étranger, arrêtez la machine et contrôlez-la. Réparez-la si nécessaire avant de redémarrer.

Ne procédez jamais à aucun(e) réglage ou réparation lorsque le moteur fonctionne.

Vérifiez souvent les composants du collecteur d'herbe et la protection de l'éjection et remplacez-les par des pièces recommandées par le fabricant, le cas échéant.

Assurez-vous que toutes les pièces de rechange sont approuvées par le fabricant.

Les lames de tondeuse sont affûtées. Enveloppez la lame dans un linge ou portez des gants et soyez très vigilants lorsque vous l'entretenez.

Soyez vigilant lors du réglage de la machine afin que vos doigts ne se retrouvent pas coincés entre la lame en mouvement et les éléments fixes de la machine.

Lors de l'entretien de la lame, gardez en tête que, même si l'alimentation est désactivée, la lame peut malgré tout être actionnée.

Entretenez ou remplacez les étiquettes de sécurité et de consigne, le cas échéant.

Batterie et charge

Ne rechargez pas la batterie sous la pluie ou dans des lieux humides. Conservez le chargeur de la batterie à l'abri de la pluie et de l'humidité. L'infiltration d'eau dans le chargeur de la batterie augmente le risque d'électrocution.

N'utilisez pas une tondeuse fonctionnant sur batterie sous la pluie.

Retirez ou déconnectez la batterie avant de supprimer les débris de la tondeuse ou de nettoyer ou de procéder à la maintenance de cette dernière.

Utilisez uniquement la tondeuse avec les modèles de batterie suivants spécialement conçus de la série B Oregon : (Oregon® B425E, B426, B600E, B650E, B662, B742). L'utilisation d'un autre type de batterie peut provoquer un risque de blessure et d'incendie.

Rechargez la batterie en vous servant exclusivement du chargeur préconisé par le fabricant, c'est-à-dire le modèle Oregon C650 ou C750. Un chargeur convenant pour un modèle de batterie peut créer un risque s'il est utilisé avec une autre batterie.

Ne chargez pas d'autres batteries sur le chargeur. Le chargeur de batterie convient exclusivement pour charger les batteries lithium ion présentant la plage de tension indiquée spécifiée et approuvée par le constructeur. Il existe un risque d'incendie et d'explosion dans le cas contraire.

Avant chaque utilisation, vérifiez le chargeur de batterie, le câble et la fiche. Si vous décelez un dommage, n'utilisez plus le chargeur de batterie. N'ouvrez jamais le chargeur de batterie vous-même. Confiez les réparations exclusivement à un technicien qualifié et utilisant des pièces d'origine. Des chargeurs de batterie, câbles et fiches endommagés augmentent le risque de choc électrique.

Veillez à ce que le chargeur de la batterie reste propre. De la saleté pourrait entraîner un risque d'électrocution.

Nettoyez occasionnellement les fentes d'aération de la batterie avec une brosse douce, propre et sèche.

Ne jetez pas la batterie au feu, elle pourrait exploser. Consultez les règlements locaux pour connaître les éventuelles consignes de mise au rebut spécifiques.

Ne tentez pas d'ouvrir ou d'abîmer la batterie. L'électrolyte qu'elle contient est corrosif et risquerait de brûler vos yeux ou votre peau. Il peut également être toxique s'il est ingéré.

Soyez prudent lorsque vous manipulez des batteries afin de ne pas causer de court-circuit de la batterie avec des matériaux conducteurs tels que des bagues,

bracelets et clés. La batterie ou l'élément conducteur peut surchauffer et causer des brûlures.

En dehors des périodes d'utilisation, maintenez la batterie d'accus à l'écart d'objets métalliques tels que des trombones, pièces de monnaie, clés, clous, vis et autres petits objets métalliques susceptibles d'en court-circuiter les bornes. Court-circuiter les bornes de la batterie peut provoquer un incendie.

Dans des conditions d'utilisation non conformes, un liquide risque de s'écouler des accus ; évitez tout contact. Rincez abondamment en cas de contact accidentel. En cas de contact oculaire, consultez un médecin. Le liquide éjecté de la batterie peut provoquer des irritations ou des brûlures.

Des vapeurs pourraient être émises en cas de dommage ou de mauvaise utilisation de la batterie. Ventilez la zone et consultez un médecin en cas de plaintes. Ces vapeurs sont susceptibles d'irriter le système respiratoire.

N'utilisez pas une batterie ou une tondeuse endommagée ou modifiée. Les batteries endommagées ou modifiées peuvent réagir de manière imprévisible, provoquant un incendie, une explosion ou un risque de blessure.

N'exposez pas une batterie ou une tondeuse à un incendie ou à des températures excessives (exposition continue aux rayons intenses du soleil ou stockage dans un véhicule chaud). Une exposition à un incendie ou à des températures supérieures à 130 °C peut provoquer une explosion. Stockez uniquement la batterie dans une plage de températures comprise entre 0 °C et 40 °C.

Respectez toutes les consignes de charge et ne rechargez pas la batterie ou la tondeuse en dehors de la plage de températures indiquée dans ces consignes. Une recharge inappropriée ou en dehors de la plage de températures spécifiée peut endommager la batterie et augmenter le risque d'incendie.

Ne faites pas fonctionner le chargeur de batterie sur des surfaces très inflammables (p. ex. papier, textile, etc.). L'échauffement du chargeur de batterie pendant le chargement pourrait provoquer un risque d'incendie.

Confiez la maintenance à un technicien qualifié se servant exclusivement de pièces de rechange identiques. Vous préserverez ainsi le niveau de sécurité du produit.

Ne tentez pas de réparer vous-même la tondeuse ou la batterie, sauf indication contraire dans les consignes d'utilisation et de maintenance.

Stockage

Stockez toujours la tondeuse dans un endroit frais et sec, à l'abri de la lumière directe du soleil. Une exposition prolongée aux rayons du soleil et aux UV peut abîmer le plastique et réduire la performance des protections.

Transport

Les batteries lithium-ion sont soumises aux exigences de la législation américaine sur les marchandises dangereuses. L'utilisateur peut transporter les batteries par la route sans exigences supplémentaires.

En cas de transport par des tierces parties (ex. transport aérien ou société de livraison), des exigences spécifiques concernant l'emballage et l'étiquetage doivent être observées. Il est nécessaire de consulter un spécialiste des matériaux dangereux lors de la préparation de l'article à expédier.

Les batteries ne peuvent être expédiées que si leur logement n'est pas endommagé.

Masquez ou isolez les contacts ouverts et emballez la batterie de sorte qu'elle ne puisse pas bouger dans l'emballage.

Le cas échéant, observez également les réglementations nationales plus détaillées.

Mise au rebut

Ne jetez pas les outils de jardinage, chargeurs de batterie et batteries/batteries rechargeables avec les déchets ménagers.

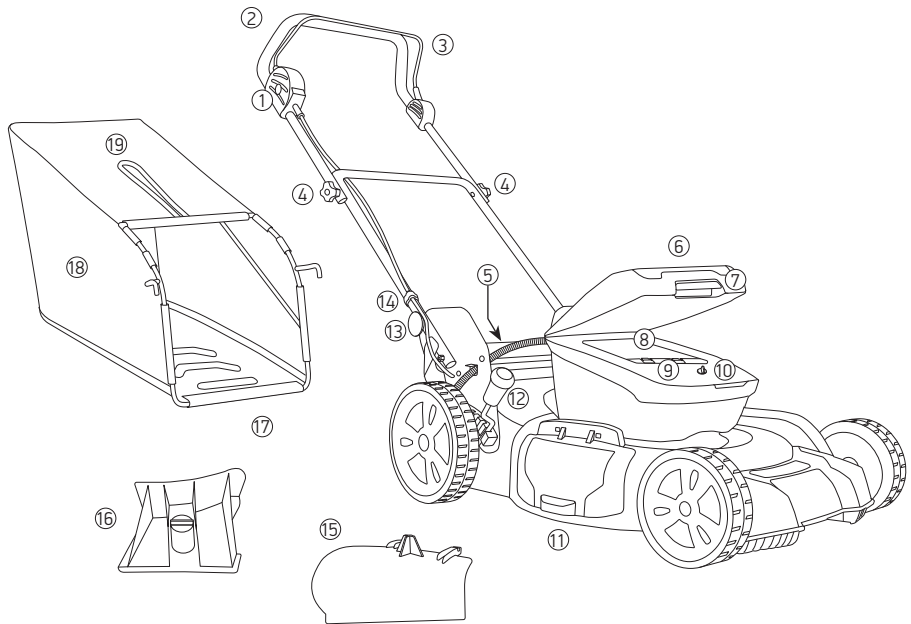
CONSERVEZ CES CONSIGNES.

Symboles et étiquettes

Ces symboles et étiquettes figurent sur la tondeuse à gazon, la batterie et le chargeur.

SYMBOLE	NOM	DESCRIPTION
	Alerte de sécurité - Risque général	Le texte qui suit explique un danger, un avertissement ou une mise en garde.
	Lisez le manuel d'utilisation.	Le manuel d'utilisation d'origine contient des consignes de sécurité et d'utilisation importantes. Lisez attentivement ces consignes et respectez-les.
	Laissez les dispositifs de sécurité en place.	N'ouvrez ou ne retirez pas les dispositifs de protection pendant que l'outil fonctionne.
	Ne laissez personne approcher.	Arrêtez de tondre si des enfants ou des personnes se tiennent trop près.
	Regardez derrière vous lorsque vous reculez.	Regardez à vos pieds et derrière vous lorsque vous reculez afin d'éviter de trébucher.
	Risque en pente raide	Soyez extrêmement vigilant dans les pentes. Ne tondez pas sur des pentes supérieures à 15 degrés.
	Retirez la clé de sécurité.	Coupez le moteur et retirez la clé de sécurité avant le réglage ou le nettoyage. Retirez la clé de sécurité si vous n'utilisez pas le produit pendant une période prolongée.
	Portez des lunettes de protection.	Portez des lunettes de protection lorsque vous utilisez la machine.
	Portez des protections auditives.	Portez des protections auditives lorsque vous utilisez la machine.
	Portez des gants de protection.	Portez des gants de protection lorsque vous utilisez la machine ou touchez la lame arrêtée.
	Portez un pantalon long.	Portez un pantalon long lorsque vous utilisez la tondeuse.
	Portez des chaussures de sécurité.	Portez des chaussures de travail à bout fermé lorsque vous utilisez la tondeuse.
	N'incinerez pas la machine.	Abstenez-vous de toute élimination par le feu.
	Ne mettez pas la machine au rebut.	Abstenez-vous de toute mise au rebut avec les ordures ménagères. Confiez cet outil à un recycleur agréé.
	N'exposez pas la machine à la pluie.	Abstenez-vous d'utiliser le chargeur sous la pluie.
	Températures de fonctionnement	N'utilisez la batterie qu'à des températures comprises entre 0 °C et 40 °C (32 °F et 104 °F).
	Retirez la batterie.	Retirez la batterie avant de procéder à toute tâche de maintenance.

Identification du produit



- | | |
|-------------------------------------|---|
| ① Bouton de sécurité | ⑪ Capot d'éjection latérale |
| ② Guidon | ⑫ Levier d'ajustement de hauteur de coupe |
| ③ Levier de contact | ⑬ Bouton d'ajustement de la poignée |
| ④ Boutons du guidon | ⑭ Serre-câble |
| ⑤ Capot d'éjection arrière | ⑮ Conduit d'éjection latérale |
| ⑥ Capot du compartiment batterie | ⑯ Obturateur mulching |
| ⑦ Poignée de verrouillage | ⑰ Sac de ramassage |
| ⑧ Port de connexion de batterie | ⑱ Sac de ramassage en maille |
| ⑨ Leviers d'éjection de la batterie | ⑲ Châssis de ramassage métallique |
| ⑩ Clé de sécurité | |

Montage

Utilisation prévue

Cette machine de jardinage a été conçue pour tondre le gazon d'habitations privées.

⚠ AVERTISSEMENT : vérifiez que la batterie a été retirée de la machine.

Assemblage de la poignée (Fig. A)

Fixez la poignée supérieure au châssis de la poignée inférieure, puis serrez en utilisant les boutons, les boulons et les rondelles (Fig. A). Serrez les boutons à la main.

Insertion et dépose de la batterie (Fig. B - C)

⚠ AVERTISSEMENT : Assurez-vous que la clé de sécurité est en position d'arrêt avant d'insérer ou de déposer la batterie.

Pour insérer la batterie, soulevez la poignée de verrouillage (1) sur le capot du compartiment de la batterie et soulevez le capot (2) (Fig. B). Insérez la batterie dans la position de batterie souhaitée, en vous assurant que les petits rails sur le capot sont alignés sur les rainures de la batterie. Poussez fermement la batterie en place jusqu'à ce que vous entendiez un déclic. L'unité peut contenir deux batteries. Mais une suffit au fonctionnement de l'appareil. Refermez le capot du compartiment de la batterie.

Pour déposer la batterie, ouvrez le capot du compartiment de la batterie. Soulevez le levier d'éjection de la batterie (1) à l'avant de la batterie pour libérer la batterie (Fig. C). Le levier à ressort va libérer la batterie en vous pourrez ainsi la sortir de la machine. Refermez le capot pour éviter les dommages accidentels à la machine.

Réglage de la hauteur de coupe (Fig. D)

Votre tondeuse à gazon est équipée d'un système central de réglage de la hauteur de coupe, avec 6 réglages possibles de la hauteur. Les réglages sont approximativement les suivants : 25 mm (1 po), 35 mm (1 3/8 po), 45 mm (1 3/4 po), 55 mm (2 1/8 po), 65 mm (2 1/2 po) et 75 mm (3 po). La hauteur de coupe réelle peut être légèrement différente.

Pour régler la hauteur de coupe de la machine, positionnez le levier (1) sur la hauteur souhaitée (Fig. D). Les nombres indiqués sur le corps de la machine (1, 2, 3, 4, 5, 6) fournissent la hauteur de coupe approximative de la machine dans cette position. Plus le nombre est faible, plus l'herbe sera coupée courte.

Effectuez toujours un essai en coupant l'herbe sur une position plus élevée, puis diminuez la hauteur pour déterminer la hauteur de coupe que vous préférez.

Réglage de la poignée (Fig. E)

Tirez et tournez le bouton sur le côté gauche de l'unité (1), de manière à ce que le bouton repose sur la poignée. Sur le côté opposé, tirez avec une main le bouton (2) et réglez la poignée dans la position souhaitée (Fig. E). Relâchez le bouton de manière à ce que l'arbre à ressort soit positionné dans l'orifice de localisation (3). Tirez et tournez le bouton opposé de manière à ce que l'arbre à ressort revienne dans sa position insérée (4).

Utilisation de la clé de sécurité (Fig. F)

La clé de sécurité est un dispositif de sécurité important de la machine. Le moteur et les couteaux de la machine ne peuvent démarrer que si la clé de sécurité est insérée et placée sur la position ON (marche). N'insérez la clé de sécurité que si vous avez l'intention de démarrer la machine et de faire tourner les lames.

Pour insérer la clé de sécurité, poussez la clé de sécurité dans la prise en alignant le petit ergot de la clé sur la serrure dans la prise (1) (Fig. F).

Pour mettre la machine en position ON, pointez la flèche sur la clé sécurité vers la batterie que vous souhaitez utiliser (2). Quand la tondeuse à gazon s'arrête du fait du déchargement de la batterie, ouvrez le capot du compartiment de la batterie et si deux batteries y sont insérées, tournez la clé vers l'autre batterie. C'est le moment idéal de placer la batterie déchargée dans un chargeur Oregon.

Pour mettre la machine en position OFF (arrêt) et retirer la clé, faites tourner la clé jusqu'à ce que la petite flèche de la clé pointe vers le O. Vous pouvez alors retirer la clé.

Vous ne pouvez démarrer le moteur que si la clé de sécurité est en place.

Fonctionnement (Fig. G)

Assurez-vous d'abord que vous êtes dans la bonne zone de coupe. Assurez-vous que personne ni aucun objet étranger ne se trouve dans la zone de coupe. Inspectez la machine pour voir si elle présente d'éventuels dommages ou condition dangereuse.

Assurez-vous que la hauteur de coupe de la machine soit à la bonne hauteur.

Assurez-vous que la clé de sécurité pointe vers une position de batterie.

Maintenez le bouton de sécurité (1) enfoncé, puis pressez le levier de contact (2) vers le guidon (Fig. G).

Lorsque la machine démarre, relâchez le bouton de sécurité (1). Maintenez le levier de contact enfoncé à deux mains pendant l'utilisation.

Si vous relâchez le levier de contact, la machine va s'arrêter. Les lames peuvent continuer à tourner pendant un certain temps une fois le courant coupé.

Arrêt de la machine (Fig. H)

Relâchez le levier de contact (1) (Fig. H). Si vous relâchez le levier de contact, la machine va s'arrêter. Les lames peuvent continuer à tourner pendant un certain temps une fois le courant coupé.

Utilisation du bac de ramassage arrière (Fig. I - J)

Assemblez le sac de ramassage en insérant le cadre métallique dans le sac souple en maille (1) et raccordez les attaches en plastique du sac souple au châssis métallique (2) (Fig. I).

Pour fixer le sac de ramassage à la machine, soulevez et maintenez le capot d'éjection (1) d'une main et, de l'autre main, positionnez les deux crochets (2) du sac de ramassage sur l'arbre métallique (3) de part et d'autre du capot d'éjection (Fig. J). Relâchez le capot d'éjection à ressort qui viendra recouvrir l'ouverture entre le sac de ramassage et la machine.

Utilisation de l'éjection latérale (Fig. K)

Commencez par retirer le sac de ramassage. Avec une légère inclinaison vers le bas, positionnez les crochets avant et arrière du conduit d'éjection sur la tige métallique du capot latéral (1) (Fig. K). Pivotez le conduit d'éjection jusqu'au verrouillage des crochets (2). Dégagez le capot latéral avec la main et vérifiez que le conduit d'éjection est correctement positionné.

Utilisation de l'obturateur mulching (Fig. L)

Soulevez le capot d'éjection et retirez le sac de ramassage (1) (Fig. L). Maintenez le capot d'éjection avec une main et, de l'autre main, positionnez l'obturateur mulching dans le conduit d'éjection arrière (2). Relâchez le capot d'éjection à ressort.

Remplacement ou affûtage du couteau

⚠ AVERTISSEMENT : Retirez toujours la batterie et la clé de sécurité avant d'effectuer des opérations de maintenance.

Le couteau a été conçu comme une pièce remplaçable et il peut avoir besoin d'être affûté de temps en temps. Affûtez-le lorsqu'il est émoussé. Remplacez-le lorsqu'il est endommagé. Prenez contact avec le distributeur ou le constructeur pour plus d'instructions.

Stockage (Fig. M - N)

Tirez et tournez le bouton situé sur le côté gauche de la machine, de manière à ce que le bouton repose sur la poignée (1). De l'autre côté, tirez avec une main le bouton (2) et, de l'autre main, enfoncez la poignée vers l'avant de la tondeuse (3) (Fig. L). Ensuite, soulevez l'avant de la machine, jusqu'à ce qu'elle repose, sans risque, sur son châssis arrière (Fig. M).

Batterie et chargeur

⚠ AVERTISSEMENT : pour réduire le risque d'électrocution, ne chargez pas la batterie sous la pluie.

INDICATEUR LED DE NIVEAU DE CHARGE DE LA BATTERIE

La batterie lithium ion est équipée d'un indicateur LED de niveau de charge. Pour tester le niveau de charge de la batterie, enfoncez le bouton indicateur sur la face de la batterie.

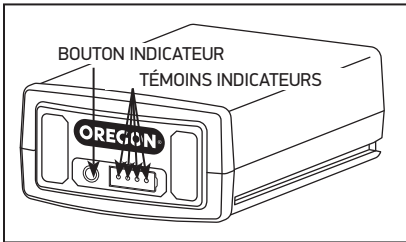
Pas de LED allumée : recharge.

Une LED verte continue : moins de 25 % de charge. Chargez la batterie avant utilisation.

Deux LED vertes continues : 26 à 50 % de charge.

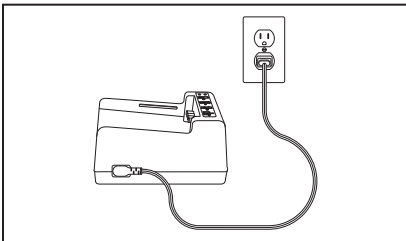
Trois LED vertes continues : 51 à 75 % de charge.

Quatre LED vertes continues : 76 à 100 % de charge.



BRANCHEMENT DU CHARGEUR

Si le chargeur est équipé d'un cordon d'alimentation séparé, connectez ce cordon au chargeur et à la bonne prise de courant.



N'utilisez que le cordon fourni avec le chargeur. Avant la première utilisation, vérifiez que le type de fiche correspond à la prise.

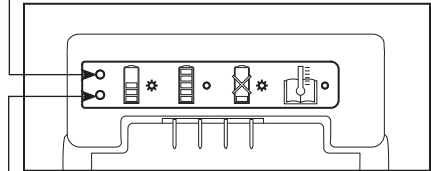
INDICATEUR LED D'ÉTAT DE CHARGE DU CHARGEUR

Le chargeur de batterie est équipé d'un indicateur LED d'état de charge indiquant son état de charge ainsi que les conditions qui pourraient prolonger ou empêcher le chargement.

Note : aucun témoin ne sera visible tant que la batterie ne sera pas insérée.

LED orange clignotante : il y a un problème. Les causes potentielles sont nombreuses. Reportez-vous au chapitre "Dépistage des pannes" dans ce manuel.

LED orange continue : la température de la batterie se situe en dehors de la plage autorisée (0°C/ 32°F à 40°C/104°F). Laissez à la batterie le temps d'atteindre la plage de température acceptable avant de la charger. Vous pouvez laisser la batterie dans le chargeur pendant ce temps-là. Le chargement commencera lorsque la température correcte sera atteinte.



LED verte clignotante : la batterie est en cours de charge

LED verte continue : la batterie est prête à l'utilisation.

CHARGEMENT DE LA BATTERIE

⚠ AVERTISSEMENT : Le non-respect de la procédure de charge peut entraîner une tension excessive, un flux de courant excessif, une perte de contrôle pendant le chargement, la fuite de produits chimiques dangereux, la production de chaleur, une explosion ou un incendie. Suivez ces instructions de charge.

Lorsque le cordon de charge est connecté au chargeur et inséré dans une prise de courant, alignez les rainures de la batterie sur les rails du chargeur et faites glisser la batterie dans le chargeur jusqu'à ce qu'elle soit complètement engagée.

Pour plus d'informations, reportez vous à vos manuels relatifs à la batterie et au chargeur.

Dépistage des pannes

Servez-vous de ce tableau pour identifier des solutions éventuelles aux problèmes susceptibles d'affecter votre tondeuse à gazon. Si ces suggestions ne permettent pas de résoudre le problème rencontré, reportez-vous au chapitre « Garantie et services ».

SYMPTÔME	CAUSE ÉVENTUELLE	ACTIONS PRÉCONISÉES
La machine ne fonctionne pas	Bourrage possible	Déposer la batterie, retirer la clé de sécurité. Éliminer les blocages. Vérifier le dessous du produit de jardinage et dégager l'éventuel bourrage (en portant toujours des gants de jardinage).
	La batterie n'est pas complètement chargée	Charger la batterie.
	La batterie n'est pas (correctement) insérée	Insérer correctement la batterie.
	Herbe trop longue	Augmenter la hauteur de coupe et soulever l'outil pour réduire la charge au démarrage.
	La protection du moteur s'est déclenchée	Laisser le moteur refroidir et augmenter la hauteur de coupe.
	La clé de sécurité pointe vers une batterie déchargée	Vérifier que la clé de sécurité pointe vers une batterie chargée.
	Batterie trop chaude/froide	Laisser la batterie refroidir/se réchauffer.
	La clé de sécurité n'est pas insérée correctement/à fond	Insérer correctement la clé de sécurité.
	Le moteur ne démarre pas tout de suite après avoir actionné l'interrupteur de sécurité.	Maintenir le bouton de sécurité enfoncé pendant 1 à 3 secondes avant d'engager le levier de contact pour démarrer le moteur.
Le moteur démarre et s'arrête automatiquement	La batterie n'est pas complètement chargée	Charger la batterie.
	La clé d'isolation n'est pas insérée correctement/à fond	Insérer correctement la clé de sécurité.
	La batterie n'est pas (correctement) insérée	Insérer correctement la batterie.
	La batterie est trop chaude/froide	Laisser la batterie refroidir/se réchauffer.

SYMPTÔME	CAUSE ÉVENTUELLE	ACTIONS PRÉCONISÉES
L'outil fonctionne par intermittence	Le câblage interne de l'outil de jardinage est endommagé	Prendre contact avec un agent de service
	La protection du moteur s'est déclenchée	Laisser le moteur refroidir et augmenter la hauteur de coupe.
L'outil de jardinage laisse un gazon déchiqueté et/ou le moteur peine	Hauteur de coupe trop basse	Augmenter la hauteur de coupe.
	Le couteau est émoussé	Remplacer le couteau ou l'affûter.
	Bourrage possible	Déposer la batterie, retirer la clé de sécurité. Vérifier le dessous du produit de jardinage et dégager l'éventuel bourrage (en portant toujours des gants de jardinage).
	Couteau monté à l'envers	Déposer la batterie, retirer la clé de sécurité. Remonter le couteau correctement.
Surface de coupe (autonomie de la batterie) insuffisante.	Hauteur de coupe trop basse	Augmenter la hauteur de coupe et avancer moins vite.
	Herbe trop haute	Augmenter la hauteur de coupe et avancer moins vite.
	Herbe mouillée ou humide	Attendre que l'herbe soit sèche et avancer moins vite.
	L'herbe est touffue	Augmenter la hauteur de coupe, avancer moins vite et tondre plus fréquemment.
Le couteau ne coupe pas alors que l'outil de jardinage est sous tension	Le couteau est obstrué	Déposer la batterie, retirer la clé de sécurité. Éliminer le blocage (en portant toujours des gants de jardinage).
	L'écrou/le boulon du couteau est desserré	Déposer la batterie, retirer la clé de sécurité. Serrer l'écrou/le boulon du couteau (15 Nm).
Les vibrations/bruit sont excessifs	L'écrou/le boulon du couteau est desserré	Déposer la batterie, retirer la clé de sécurité. Serrer l'écrou/le boulon du couteau (15 Nm).
Il est impossible de charger la batterie	Les contacts de la batterie sont sales	Nettoyer les contacts de la batterie (en insérant et retirant plusieurs fois la batterie) ou remplacer la batterie.
	La batterie est défectueuse en raison d'un mauvais contact interne	Remplacer la batterie.
Les LED de contrôle de charge ne s'allument pas après avoir inséré la fiche dans la prise secteur	La fiche n'est pas (correctement) insérée dans la prise secteur	Insérer (à fond) la fiche dans la prise secteur.
	Problème au niveau de la sortie de la prise secteur, du cordon d'alimentation ou du chargeur	Vérifier la tension secteur et, si nécessaire, faire contrôler le chargeur par un centre de service après-vente agréé pour les outils motorisés.

Spécifications

COMPOSANTS DE REMPLACEMENT		NUMÉRO DE RÉFÉRENCE
Conduit d'éjection latérale	596871	
Obturateur mulching	597342	
Sac de ramassage	596862	
Sac de ramassage en maille	596862	
Châssis de ramassage métallique	596862	
Kit Lame de rechange	596866	
TONDEUSE À GAZON À BATTERIE RECHARGEABLE	LM400	
Largeur du couteau	51 cm (20 po)	
Hauteur de coupe	25 mm (1 po) à 75 mm (3 po)	
Capacité du collecteur d'herbe	60 l (15,9 gal)	
Poids avec batterie	26,6 kg (58,8 lb) avec une batterie	
Numéro de série	Référez-vous à l'étiquette sur la machine (sous le capot de vidange)	
Niveau de pression acoustique : énergie acoustique émise par la source	LwA.d : 95 dB(A)	
Niveau de pression acoustique : ce que l'opérateur entend	Lpa.d : 80 dB(A), Kpa : 3 dB(A) 3,5 m/s ² , K=1,5 m/s ²	
Vibrations au niveau des mains/bras (avhw)	< 0,54 m/s ² k= 1,5 m/s ²	
CHARGEUR, MODÈLE C650		
Entrée	100-240 V~ 50-60 Hz 60 W	
Entrée (États-Unis et Canada uniquement)	120 V~ 60 Hz 60 W	
Sortie	41,5 V=== 1,8 A	
CHARGEUR, MODÈLE C750		
Entrée	100-240 V~ 50-60 Hz 260 W	
Entrée (États-Unis et Canada uniquement)	120 V~ 60 Hz 260 W	
Sortie	41 V=== 4,6 A	
BLOC DE BATTERIE		
Type	Lithium Ion	
Température de fonctionnement	De 0 à 40 °C (De 32 à 104 °F)	
Modèle	Capacité nominale	Tension nominale
B425E	2.6 Ah / 94 Wh	36 VDC
B426	2.6 Ah / 94.9 Wh	36.5 VDC
B600E	4.0 Ah / 144 Wh	36 VDC
B650E	6.0 Ah / 216 Wh	36 VDC
B662	6.0 Ah / 216 Wh	36 VDC
B742	4.0 Ah / 144 Wh	36 VDC

Garantie et service

Garanties

Blount, Inc. garantit la totalité des outils sans fil et chargeurs de marque Oregon® pour une période de trois (3) ans et la totalité des batteries sans fil de marque Oregon® pour une période de deux (2) ans à compter de la date d'achat. Les outils sans fil, batteries et chargeurs de marque Oregon® sont garantis pour une période de deux (2) ans en cas d'utilisation à des fins commerciales. Cette garantie limitée s'applique aux produits fabriqués par Oregon® Cordless Tools System. Pendant la période de garantie, Blount s'engage à remplacer ou, à son gré, à réparer gratuitement, au bénéfice de l'acquéreur original uniquement, tout produit ou pièce jugés défectueux en raison d'un défaut matériel ou d'un vice de fabrication après examen par Blount. L'acquéreur se verra facturer l'ensemble des frais de transport et coûts de retrait de toute pièce à remplacer aux termes de la présente garantie.

Pour enregistrer votre produit, rendez-vous à la section « support » du site **OregonCordless.com**.

Informations relatives à nos services d'assistance et de maintenance

Rendez-vous visite sur notre site Web **OregonCordless.com** pour obtenir des informations relatives à notre centre de services ou prenez contact avec notre service clients en appelant au 888.313.8665 pour bénéficier d'une assistance personnalisée, de conseils techniques, de réparations ou de pièces de rechange.

Pour plus de sécurité, ne montez que des pièces de rechange d'origine sur votre appareil électrique. Le personnel de notre centre de services se compose de membres compétents à même d'apporter un soutien et une assistance de choix dans les domaines suivants : réglage, réparation ou remplacement de tous les produits Oregon® Cordless Tool System.

Tabla de contenidos

Instrucciones de seguridad importantes	33
Operación general	33
Operación en pendiente.	34
Niños	34
Servicio	35
Paquetes de baterías y carga	35
Almacenamiento	36
Transporte	36
Eliminación	36
Símbolos y etiquetas	37
Identificación del producto	38
Montaje.	39
Batería y cargador	41
Resolución de problemas	42
Especificaciones	44
Garantía y servicio	45

Instrucciones de seguridad importantes

PRÁCTICAS SEGURAS PARA CORTACÉSPED CONTROLADOS POR PEDESTRES

⚠️ ADVERTENCIA: Al usar los cortacésped inalámbricos, siempre se deben seguir las precauciones básicas de seguridad para reducir el riesgo de incendio, descarga eléctrica y lesiones personales, incluyendo lo siguiente:

Esta máquina de corte es capaz de amputar manos y pies y lanzar objetos. Si no sigue las siguientes instrucciones de seguridad, pueden producirse importantes lesiones o el fallecimiento.

Operación general

Lea, comprenda y siga todas las instrucciones de la máquina y en el manual antes de comenzar.

Evite el arranque accidental. Asegúrese de que el interruptor se encuentra en posición de apagado antes de colocar la batería. Colocar la batería en la máquina con el interruptor activado supone un gran riesgo de accidente.

Mantenga las manos y los pies fuera del área de corte. Manténgase alejado de la apertura de descarga en todo momento.

Permita solo a adultos responsables que estén familiarizados con las instrucciones operar esta máquina. Esta herramienta no ha sido diseñada para ser utilizada por personas (niños incluidos) con capacidades físicas, sensoriales o mentales reducidas, o falta de experiencia o conocimientos.

Mantenga el cortacésped con cuidado - Mantenga los bordes de corte afilados y limpios para un mejor y más seguro rendimiento.

Siga las instrucciones de lubricación y cambio de accesorios.

Mantenga siempre las empuñaduras secas, limpias y libres de aceite y grasa.

Los objetos atrapados por la cuchilla del cortacésped pueden provocar daños graves a las personas. Limpie el área de objetos tales como rocas, alambres, juguetes, etc. que podrían ser lanzados por la cuchilla antes de cada corte. Permanezca detrás del manillar cuando el motor está en funcionamiento.

El cortacésped golpea un objeto extraño, siga estos pasos:

- Detenga el cortacésped. Suelte el embrague.
- Retire la batería.
- Inspeccione los daños.
- Repare cualquier daño antes de volver a arrancar y trabajar con el cortacésped.

Asegúrese que la zona está libre de niños o paseantes antes de ponerla a funcionar. Detenga la máquina si alguien entra en la zona. El operador o usuario será responsable de los accidentes o situaciones de peligro sobre otras personas o sus propiedades.

No use la máquina descalzo o con sandalias. Use siempre calzado resistente.

Vístase adecuadamente - No use ropa suelta ni joyas. Podrían engancharse en las piezas móviles. Recomendamos usar guantes de goma y calzado cuando trabaje en el exterior. Lleve pantalones largos.

Use siempre protección ocular cuando usa la máquina.

Use siempre una máscara de polvo o máscara si hay polvo en la zona.

No corte nunca el césped tirando del cortacésped hacia usted. Desconecte el interruptor de palanca para apagar la máquina y extienda la precaución cuando retroceda o tire de la máquina hacia usted. Mire siempre hacia atrás y hacia abajo antes y mientras se mueve hacia atrás.

Mantenga la zona de descarga despejada al usar la máquina. Nunca dirija el material descargado hacia nadie. Evite descargar el material contra un muro u obstrucción. El material puede rebotar hacia el operador.

Apague la máquina desconectando la palanca del interruptor cuando cruce superficies de gravilla u otro tipo que no sean césped.

Nunca levante ni traslade la máquina con el motor en marcha.

Compruebe las defensas, las protecciones y los dispositivos de seguridad antes de cada uso. No use la máquina sin el dispositivo recogedor de césped entero, el protector de descarga, el protector trasero u otros dispositivos de seguridad en su lugar y trabajando.

No incline la máquina al arrancar o encender el motor, excepto cuando sea necesario inclinarla para arrancar sobre hierba alta. En tal caso, inclínela lo mínimo necesario y tan solo la parte alejada del operador.

Asegúrese siempre de tener ambas manos en posición operativa antes de volver a poner la máquina sobre el suelo.

Arranque el motor siguiendo las instrucciones manteniendo los pies alejados de las piezas giratorias.

Nunca deje una máquina funcionando sin supervisión.

Detenga el motor, espere hasta que la cuchilla se detenga por completo y retire la batería antes de limpiar la máquina, sacar el recogedor de césped o desatascar el protector trasero.

Use la máquina únicamente con luz diurna o con suficiente luz artificial.

No use la máquina si está bajo los efectos del alcohol o drogas.

No use el cortacésped inalámbrico con lluvia.

Evite entornos peligrosos - No use el cortacésped en lugares mojados o húmedos.

No use el cortacésped en hierba húmeda. El césped húmedo puede hacer que se resbale. Tenga siempre cuidado con sus pies; camine, no corra.

Si la máquina comienza a vibrar de modo anómalo, detenga el motor y compruebe la causa de inmediato. La vibración suele ser una advertencia de problemas.

Use el aparato adecuado - No use el cortacésped para ningún trabajo, excepto para el que está destinado.

No fuerce el cortacésped - Hará el trabajo mejor y de forma más segura a la velocidad a la que ha sido diseñada.

No se estire - Mantenga una postura firme y equilibrada en todo momento.

Permanezca alerta - Céntrese en lo que está haciendo. Use el sentido común. No use el cortacésped cuando esté cansado.

Consulte las instrucciones del fabricante para el correcto funcionamiento e instalación de los accesorios. Solo los accesorios y suplementos suministrados originalmente con el cortacésped son aprobados por el fabricante.

Guarde siempre el cortacésped en un lugar fresco y seco y fuera de la luz directa del sol. La exposición prolongada a la luz solar y los rayos UV puede degradar los plásticos con el tiempo, lo que podría hacer que los protectores fallen.

Operación en pendiente

Las pendientes son un factor importante relacionado con los accidentes de resbalones y caídas, que pueden resultar en lesiones graves. El trabajo en todas las pendientes requiere extremar las precauciones. Si se siente incómodo en una pendiente, no la siegue.

Corte el césped en sentido transversal a la pendiente, ni subiendo, ni bajando. Extreme la precaución al cambiar de dirección en las pendientes.

Esté atento a los hoyos, surcos, baches, rocas u otros objetos ocultos. Un terreno accidentado podría causar un accidente de resbalón y caída. El césped alto puede ocultar obstáculos.

Evite cortar en césped húmedo o en pendientes excesivamente pronunciadas (>15°). Una mala posición podría causar un accidente de resbalón y caída.

Extreme la precaución al cambiar de dirección, especialmente en las pendientes.

No siegue cerca de desagües, zanjas o terraplenes. Podría perder pie o el equilibrio.

Niños

Los accidentes trágicos pueden ocurrir si el operador no está alerta ante la presencia de niños. A menudo los niños se sienten atraídos por la máquina y la actividad de segar. No asuma nunca que los niños permanecerán donde los vio por última vez.

Quite la llave de seguridad siempre que salga o guarde la máquina. Almacene en un lugar seguro y cerrado - fuera del alcance de los niños.

Mantenga a los niños fuera de la zona de siega y bajo la vigilancia de un adulto responsable que no sea el operador.

Esté alerta y apague el cortacésped si un niño entra en el área.

Nunca permita que los niños manejen la máquina.

Tenga mucho cuidado al acercarse a esquinas ciegas, arbustos, árboles u otros objetos que puedan bloquear su visión de un niño.

Servicio

Siempre retire la batería antes de ajustarla, limpiarla, repararla o guardarla para evitar un arranque involuntario. Estas medidas de seguridad preventivas reducen el riesgo de arrancar el cortacésped accidentalmente.

La limpieza nunca debe ser realizada por niños y solo por adultos familiarizados con el producto

Mantenga el cortacésped oculto en interiores - Cuando no esté en uso, el cortacésped debe ser almacenado en un lugar seco y cerrado - fuera del alcance de los niños.

Guarde los protectores colocados y en orden de funcionamiento.

Mantenga las cuchillas afiladas.

Use únicamente cuchillas de sustitución idénticas. El uso de cualquier otro accesorio o suplemento puede incrementar el riesgo de lesiones.

Mantenga todas las tuercas y pernos apretados firmemente para garantizar el funcionamiento seguro del equipo.

Nunca quite ni manipule los dispositivos de seguridad. Compruebe regularmente su funcionamiento. Nunca haga nada que interfiera con la función prevista de un dispositivo de seguridad o que reduzca la protección proporcionada por un dispositivo de seguridad.

Mantenga la máquina libre de hierba, hojas u otros residuos acumulados.

Si toca un objeto extraño, pare e inspeccione la máquina. Repare, si es necesario, antes de comenzar.

Nunca realice ajustes o reparaciones con el motor en marcha.

Revise los componentes del colector de césped y el protector de descarga con frecuencia y reemplácelos con las piezas recomendadas por el fabricante, cuando sea necesario.

Asegúrese de que todas las piezas de recambio o mantenimiento han sido aprobadas por el fabricante.

Las cuchillas del cortacésped son afiladas. Envuelva la cuchilla o use guantes, y use precaución extra cuando las manipule.

Tenga cuidado durante el ajuste de la máquina para evitar el atrapamiento de los dedos entre la hoja móvil y las partes fijas de la máquina.

Al realizar el mantenimiento de la cuchilla, no olvide que aunque la alimentación esté desconectada, se puede mover.

Mantenga o reemplace las etiquetas de seguridad e instrucciones, según sea necesario.

Paquetes de baterías y carga

No cargue la batería bajo la lluvia o en ubicaciones húmedas. Mantenga el cargador de la batería alejado de la lluvia y la humedad. La entrada de agua en el cargador aumenta el riesgo de electrocución.

No use el cortacésped inalámbrico con lluvia.

Retire o desconecte la batería antes de realizar cualquier operación de mantenimiento, limpieza o extracción de material del cortacésped.

Use el cortacésped solo con los conjuntos de baterías (Oregon® B425E, B426, B600E, B650E, B662, B742) específicamente designados por Oregon Series B. El uso de cualquier otra batería puede generar riesgo de lesiones e incendio.

Recargue solo con el cargador especificado por el fabricante, Oregon C650 o C750. Un cargador apto para un tipo de batería puede generar riesgo de incendio si se usa en otro distinto.

No cargue otras baterías con este cargador. El cargador de batería solo es apto para cargar baterías de iones de litio específicas y aceptadas por el fabricante dentro del rango de tensión indicado. De lo contrario, existe riesgo de incendio y explosión.

Después de cada uso, compruebe el cargador de batería, el cable y el enchufe. Si detecta daños, no use el cargador de batería. No abra nunca el cargador de batería. Las reparaciones solo debe realizarlas un técnico cualificado y empleando únicamente repuestos originales. Los cargadores de batería, cables y enchufes dañados, aumentan el riesgo de electrocución.

Mantenga el cargador de batería limpio. La contaminación puede generar riesgo de electrocución.

Limpie, puntualmente, los orificios de la batería con un cepillo blando, limpio y seco.

No tire la batería al fuego. La célula podría explotar. Consulte los códigos locales por posibles instrucciones especiales de eliminación.

No abra ni manipule la batería. El electrolito liberado es corrosivo y puede causar daño a los ojos o a la piel. Puede ser tóxico si se ingiere.

Tenga cuidado al manejar las baterías para no provocar un cortocircuito en la batería con materiales conductores tales como anillos, pulseras y llaves. La batería o el conductor pueden sobrecalentarse y causar quemaduras.

Cuando la batería no esté en uso, manténgala alejada de otros objetos metálicos, como clips, monedas, llaves, clavos, tornillos u otros objetos metálicos pequeños que puedan hacer conexión de un terminal a otro. Un cortocircuito entre los terminales de la batería puede provocar quemaduras o un incendio.

En condiciones inadecuadas puede salir líquido de la batería; evite el contacto. Si se produce un contacto de manera accidental, enjuague con agua. Si el líquido entra en contacto con los ojos, busque además asistencia médica. El líquido expulsado de la batería puede causar irritaciones o quemaduras.

En caso de daños y uso inadecuado de la batería, podrían generarse vapores. Ventile el área y busque ayuda médica en caso de que advierta algún síntoma. Los vapores pueden irritar el sistema respiratorio.

No use una batería o un cortacésped dañado o modificado. Las baterías dañadas o modificadas pueden presentar un comportamiento impredecible que provoca un incendio, una explosión o un riesgo de lesiones.

No exponga una batería o un cortacésped al fuego ni a una temperatura excesiva tal como una luz solar intensa continua ni lo almacene en un vehículo caliente. La exposición al fuego o temperatura por encima de 130 °C puede causar una explosión. Guarde la batería dentro de un rango de temperatura entre 0 °C y 40 °C.

Siga todas las instrucciones de carga y no cargue la batería ni el cortacésped fuera del rango de temperatura especificado en las instrucciones. Cargar incorrectamente o a temperaturas fuera del rango especificado puede dañar la batería y aumentar el riesgo de incendio.

No use el cargador de baterías sobre superficies o entornos fácilmente inflamables (por ejemplo, papel, textiles, etc.). Durante el proceso de carga, el cargador se calentará generando riesgo potencial de incendio.

Encargue el mantenimiento a un técnico cualificado que use solo recambios idénticos. Esto asegurará que se mantiene la seguridad del producto.

No intente reparar el cortacésped o la batería excepto como se indica en las instrucciones para su uso y cuidado.

Almacenamiento

Guarde siempre el cortacésped en un lugar fresco y seco y fuera de la luz directa del sol. La exposición prolongada a la luz solar y los rayos UV puede degradar los plásticos con el tiempo, lo que podría hacer que los protectores fallen.

Transporte

Las baterías de iones de litio incluidas están sujetas a las disposiciones de la Normativa sobre Materiales Peligrosos. El usuario puede transportar las baterías por carretera sin requisitos adicionales.

Cuando sean transportadas por terceros (p.ej.: transporte aéreo o agencia), deberán tenerse en cuenta los requisitos específicos indicados en el embalaje. Para preparar los artículos para su envío, es preciso consultar a un experto en materiales peligrosos.

Envíe las baterías solo si la carcasa no presenta daños.

Cubra con cinta o tape los contactos abiertos y embale la batería de tal forma que no pueda moverse dentro del paquete.

Respete también las otras normativas nacionales, posiblemente más rigurosas.

Eliminación

No arroje maquinaria de jardinería, cargadores de baterías ni baterías o baterías recargables junto con los residuos domésticos.

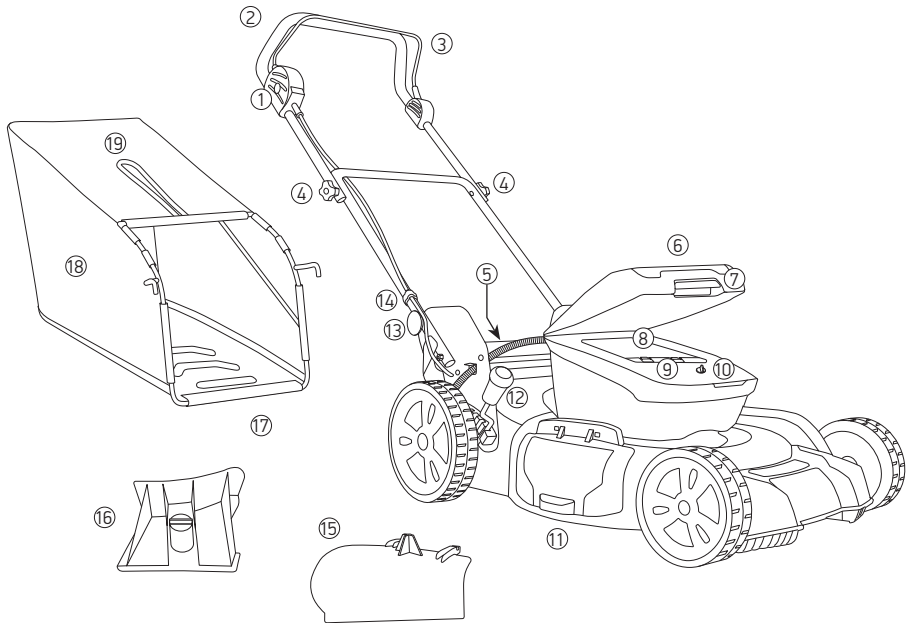
CONSERVE ESTAS INSTRUCCIONES

Símbolos y etiquetas

Estos símbolos y etiquetas aparecen en el cortacésped, la batería y el cargador.

SÍMBOLO	NOMBRE	EXPLICACIÓN
	Alerta de seguridad por riesgos generales	El texto que sigue explica un peligro, advertencia o precaución.
	Leer el manual de instrucciones	El manual de instrucciones original contiene información importante de seguridad y funcionamiento. Lea y siga las instrucciones cuidadosamente.
	Mantener los dispositivos de seguridad	No abra ni retire los protectores de seguridad mientras la herramienta está en funcionamiento.
	Mantener a los transeúntes alejados	No siegue cuando niños u otras personas estén demasiado cerca.
	Mirar atrás al retroceder	Mire abajo y detrás primero para evitar tropezar cuando retroceda.
	Peligro de pendiente pronunciada	Extreme las precauciones en las pendientes. No siegue las pendientes con más de 15 grados.
	Quitar la llave de seguridad	Apague y quite la llave de seguridad antes de realizar trabajos de ajuste y limpieza. No deje desatendida la máquina durante ningún periodo de tiempo.
	Llevar protección para los ojos	Lleve protección ocular al usar la máquina.
	Llevar protección para los oídos	Lleve protección auditiva al usar la máquina.
	Llevar protección para las manos	Lleve guantes al usar la máquina o al tocar las cuchillas paradas.
	Llevar pantalones largos	Use pantalones largos cuando use el cortacésped.
	Llevar protección para los pies	Lleve botas de trabajo apropiadas de punta cerrada cuando use el cortacésped.
	No incinerar	No lo arroje al fuego.
	No desechar	No deseche el aparato en la basura doméstica. Llévelo a un centro de reciclaje autorizado.
	No exponer a la lluvia	No use el cargador en condiciones de humedad.
	Temperatura operativa	Use la batería exclusivamente a una temperatura de entre 0 °C y 40 °C (32 °F y 104 °F).
	Retirar la batería	Retire la batería antes de realizar cualquier tarea de mantenimiento.

Identificación del producto



- | | |
|--|--|
| ① Interruptor de seguridad | ⑪ Tapa de descarga lateral |
| ② Manillar | ⑫ Palanca de ajuste de altura de corte |
| ③ Palanca de cambio | ⑬ Mando de ajuste del manillar |
| ④ Mandos del manillar | ⑭ Clip para cables |
| ⑤ Tapa de descarga trasera | ⑮ Caída de descarga lateral |
| ⑥ Tapa de la batería | ⑯ Aplicación de mantillo |
| ⑦ Manillar de bloqueo | ⑰ Bolsa de residuos |
| ⑧ Puertos de la batería | ⑱ Bolsa de residuos de malla |
| ⑨ Palancas de liberación de la batería | ⑲ Marco de residuos de metal |
| ⑩ Llave de seguridad | |

Montaje

Uso previsto

Este producto de jardín está indicado únicamente para uso doméstico.

⚠ ADVERTENCIA: Asegúrese de que la batería está fuera de la máquina.

Montaje del manillar (Fig. A)

Fije el manillar superior a la estructura del manillar inferior y asegúrelo mediante los pulsadores, los pernos y las arandelas (Fig. A). Apriete los pulsadores con la mano.

Colocar y retirar la batería (Fig. B - C)

⚠ ADVERTENCIA: Asegúrese de que la llave de seguridad esté apagada antes de colocar o retirar la batería.

Para colocar la batería, levante el manillar de bloqueo (1) en la tapa de la batería y levante la tapa (2) (Fig. B). Coloque la batería dentro asegurándose de que los raíles pequeños de la tapa coinciden con las ranuras de la batería. Presione firmemente la batería en su sitio hasta que oiga un clic. La unidad puede tener dos baterías. Sin embargo, solo necesita una para funcionar. Cierre la tapa de la batería.

Para retirar la batería, abra la tapa. Levante la palanca de liberación de la batería (1) en frente de la batería para liberarla (Fig. C). La palanca con resorte liberará la batería, permitiéndole extraerla de la máquina. Cierre la tapa para evitar dañar la máquina por accidente.

Ajuste de la altura de corte (Fig. D)

Su cortacésped está equipado con un sistema de ajuste de altura central que ofrece seis posiciones. Los ajustes están aproximadamente a 25 mm (1 pulg), 35 mm (1 3/8 pulg), 45 mm (1 3/4 pulg), 55 mm (2 1/8 pulg), 65 mm (2 1/2 pulg) y 75 mm (3 pulg). La altura de corte real puede variar ligeramente.

Para ajustar la altura de corte de la máquina, posicione la palanca (1) en la altura deseada (Fig. D). Los números indicados en el cuerpo de la máquina ((1, 2, 3, 4, 5, 6) indican la altura de corte aproximada en la posición elegida. Cuanto más bajo es el número más corto quedará el césped.

Realice siempre un pequeño test cortando el césped a alturas mayores y ajustándolas hasta llegar a la altura deseada.

Ajuste del manillar (Fig. E)

Tire y gire el mando del lado izquierdo de la unidad (1), para que descansa sobre el manillar. En el lado opuesto, con una mano tire del mando (2) y ajuste el manillar a la posición deseada (Fig. E). Suelte el mando para que el eje de muelle se asiente en el orificio de ubicación (3). Tire y gire el mando opuesto de modo que el eje de muelle vuelva a su posición asentada (4).

Usar la llave de seguridad (Fig. F)

La llave de seguridad es un dispositivo de seguridad muy importante de la máquina. El motor y las cuchillas de la máquina solo deben ponerse en marcha una vez que la llave se ha introducido y girado a la posición ON. Introduzca la llave de seguridad cuando esté seguro de que desea poner en marcha la máquina y hacer girar las cuchillas.

Para introducir la llave de seguridad, introdúzcala en la toma alineando la pestaña de la llave con la ranura de la toma (1) (Fig. F).

Para encender la máquina en la posición "ON", apunte la flecha de la llave de seguridad hacia la batería que desea usar (2). Cuando el cortacésped se detenga porque la batería está descargada, abra la tapa de la batería y, si tiene dos baterías colocadas, gire la llave hacia la otra. Este es un momento oportuno para colocar la batería descargada en un cargador Oregon.

Para poner la máquina en posición "OFF", y para quitar la llave, gire la llave hasta que el indicador de la llave apunte hacia la marca "O". Ahora puede quitar la llave.

Solo podrá arrancar el motor introduciendo la llave de seguridad.

Funcionamiento (Fig. G)

En primer lugar, asegúrese de que se encuentra en la zona de corte adecuada. Asegúrese de que la zona de corte está libre de transeúntes y objetos extraños. Compruebe que la máquina no tiene ningún daño y que cumple las condiciones de seguridad.

Asegúrese de que la altura de corte de la máquina es la deseada.

Asegúrese de que la llave de seguridad apunte hacia una posición de batería.

Pulse y mantenga pulsado el botón de seguridad (1), tire del embrague(2) hacia el manillar (Fig. G).

Cuando la máquina se ponga en marcha, suelte el interruptor de seguridad (1). Mantenga el embrague apretado con las dos manos durante el uso.

Soltar la palanca de cambio desconectará la alimentación de la unidad. La cuchilla puede seguir rotando durante un tiempo después de cortar la alimentación eléctrica.

Detener la máquina (Fig. H)

Suelte el embrague (1) (Fig. H). Soltar la palanca de cambio desconectará la alimentación de la unidad. La cuchilla puede seguir rotando durante un tiempo después de cortar la alimentación eléctrica.

Usar la bolsa trasera (Fig. I-J)

Monte la bolsa de desechos insertando la estructura de metal en la bolsa de malla suave (1) y conectando los clips de plástico de la bolsa de malla blanda al marco metálico (2) (Fig. I).

Para fijar la bolsa de residuos a la máquina, levante y sujete la cubierta de descarga (1) con una mano y con la otra coloque los dos ganchos (2) de la bolsa de residuos en el eje de metal (3) a cada lado de la tapa de descarga (Fig. J). Suelte la tapa de descarga con muelle, permitiendo que la tapa caiga sobre la abertura entre la bolsa de residuos y la máquina.

Uso de la descarga lateral (Fig. K)

Primero, saque la bolsa de residuos. En un ligero ángulo hacia abajo, coloque los ganchos delantero y trasero de la rampa de descarga sobre el pasador metálico de la cubierta lateral (1) (Fig. K). Gire la caída haciendo que los ganchos se encajen en su sitio (2). Libere la tapa lateral con su mano y compruebe que la caída está colocada adecuadamente.

Uso de la aplicación para mantillo (Fig. L)

Levante la tapa de descarga y saque la bolsa de residuos (1) (Fig. L). Sostenga la tapa de descarga con una mano y con la otra coloque la aplicación de mantillo en la caída de descarga trasera (2). Suelte la tapa de descarga con muelle.

Sustitución o afilado de la cuchilla de corte

⚠ ADVERTENCIA: Retire siempre la batería y la llave de seguridad para realizar trabajos de mantenimiento.

La cuchilla de corte ha sido diseñada como pieza de recambio y podría necesitar un afilado de vez en cuando. Afiléla cuando esté desafilada. Reemplácela cuando esté dañada. Contacte con su distribuidor o el fabricante para obtener las instrucciones apropiadas.

Almacenamiento (Fig. M-N)

Tire y gire el mando del lado izquierdo de la unidad para que descansa sobre el manillar (1). En el lado opuesto, con una mano tire del mando (2) y con la otra tire hacia abajo del mando hacia la parte frontal del cortacésped (3) (Fig. L). A continuación, levante la máquina por la parte frontal hasta que descansa de modo seguro en su marco trasero (Fig. M).

Batería y cargador

⚠ ADVERTENCIA: Para reducir el riesgo de descarga eléctrica, no cargue la batería bajo la lluvia.

INDICADOR LED DE NIVEL DE CARGA DE LA BATERÍA

El paquete de batería de ion-litio está equipado con un indicador LED de nivel de carga. Para comprobar el nivel de carga de la batería, pulse el botón indicador en la parte delantera.

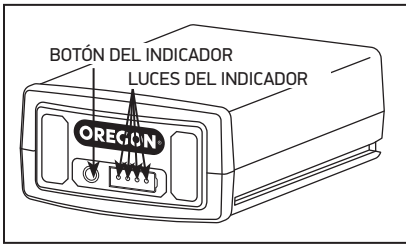
Si no se enciende: recargue.

Una luz verde fija: menos del 25 % de carga. Cargue la batería antes de su uso.

Dos luces verdes fijas: 26–50 % cargado.

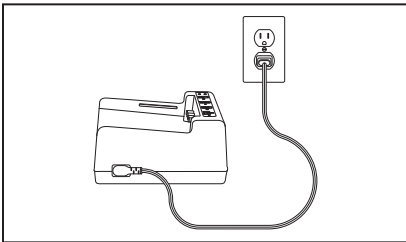
Tres luces verdes fijas: 51-75 % cargado.

Cuatro luces verdes fijas: 76–100 % cargado.



CONEXIÓN DEL CARGADOR

Si el cargador incluye un cable de alimentación independiente, conecte el cable del cargador al cargador y a la toma de pared adecuada.



Use únicamente el conjunto de cables suministrado con el cargador. Al usarlo por primera vez, verifique que el tipo de enchufe coincida con el receptáculo.

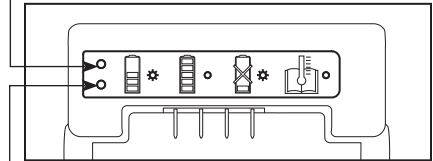
INDICADOR LED DE ESTADO DE CARGA DEL CARGADOR

El cargador de la batería está equipado con un indicador LED de estado de carga que indica el estado de carga, así como condiciones que puedan retrasar o impedir la carga.

Nota: Hasta que no se coloque un paquete de batería, no se verá luz alguna.

— Luz naranja intermitente: fallo de funcionamiento. Hay varias causas posibles. Consulte "Resolución de problemas" en este manual.

— Luz naranja fija: la temperatura del paquete de baterías supera el rango aceptable (0 °C/32 °F a 40 °C/104 °F). Deje que la batería alcance el rango de temperatura aceptable antes de cargarla. Puede dejar el paquete en el cargador mientras se ajusta la temperatura. El proceso de carga comenzará cuando la batería alcance la temperatura correcta.



— Luz verde intermitente: paquete de baterías cargándose.

— Luz verde fija: paquete de baterías listo para su uso.

CARGA DE LA BATERÍA

⚠ ADVERTENCIA: No seguir los procedimientos de carga adecuados puede provocar voltaje excesivo, flujo de corriente excesivo, pérdida de control durante la carga, filtración de productos químicos peligrosos, generación de calor, estallido o incendio. Siga estas instrucciones de carga.

Con el cable del cargador conectado al cargador y enchufado en una toma de corriente, alinee las ranuras de la batería con los carriles del cargador y deslice la batería en el cargador hasta que esté completamente colocada.

Para obtener más información, consulte nuestros manuales de batería y cargador.

RESOLUCIÓN DE PROBLEMAS

Use esta tabla para ver posibles soluciones a posibles problemas con el cortacésped. Si estas sugerencias no resuelven el problema, consulte el apartado "Garantía y servicio".

SÍNTOMA	POSIBLE CAUSA	ACCIONES RECOMENDADAS
La herramienta no funciona	Possible obstrucción	Retire la batería, quite la llave de seguridad. Elimine las obstrucciones. Compruebe los bajos de la máquina y limpie en caso necesario (use siempre guantes de jardinería).
	La batería no carga por completo	Cargue la batería.
	Batería no colocada (correctamente)	Coloque la batería correctamente.
	Hierba demasiado alta	Aumente la altura de corte e incline la máquina para reducir la carga al comenzar.
	Sistema de protección del motor activado	Permita que el motor se enfríe e incremente la altura de corte.
	Llave de seguridad apuntando a una batería descargada	Compruebe si la llave de seguridad apunta hacia una batería cargada.
	Batería demasiado caliente/fría	Permita que se enfríe/caliente.
	Llave de seguridad no introducida correctamente/por completo	Introduzca la llave de seguridad correctamente.
	Se produce un leve retardo en el arranque del motor tras accionar el interruptor de seguridad	Mantenga el interruptor de seguridad apretado entre 1 y 3 segundos antes de accionar el interruptor de palanca para arrancar el motor
El motor arranca y se detiene de inmediato	La batería no carga por completo	Cargue la batería.
	Llave de seguridad no introducida correctamente/por completo	Introduzca la llave de seguridad correctamente.
	Batería no colocada (correctamente)	Coloque la batería correctamente.
	Batería demasiado caliente/fría	Permita que se enfríe/caliente.

SÍNTOMA	POSIBLE CAUSA	ACCIONES RECOMENDADAS
La herramienta funciona de modo intermitente	Cableado interno de la máquina dañado	Contacte con un agente de servicio.
	Sistema de protección del motor activado	Permita que el motor se enfríe e incremente la altura de corte.
Un producto de jardín provoca un acabado irregular y/o un esfuerzo excesivo del motor	Altura de corte demasiado baja	Aumente la altura de corte.
	Cuchilla de corte desafilada	Sustituya la cuchilla o afile la cuchilla.
	Posible obstrucción	Retire la batería, quite la llave de seguridad. Compruebe los bajos de la máquina y limpie en caso necesario (use siempre guantes de jardinería).
	Cuchilla montada boca abajo	Retire la batería, quite la llave de seguridad. Monte la cuchilla correctamente.
Área de corte (duración de la batería) insuficiente	Altura de corte demasiado baja	Aumente la altura de corte y avance más despacio.
	Césped demasiado alto	Aumente la altura de corte y avance más despacio.
	Césped mojado o húmedo	Espere a que se seque y avance más despacio.
	Césped denso	Aumente la altura de corte, avance más despacio y corte con más frecuencia.
La cuchilla de corte no gira con la máquina en funcionamiento	Cuchilla obstruida	Retire la batería, quite la llave de seguridad. Elimine la obstrucción (use siempre guantes de jardinería).
	Tuerca/Perno de la cuchilla suelto	Retire la batería, quite la llave de seguridad. Apriete los pernos/tuercas de la cuchilla (15 Nm).
Ruido/Vibraciones excesivos.	Tuerca/Perno de la cuchilla suelto	Retire la batería, quite la llave de seguridad. Apriete los pernos/tuercas de la cuchilla (15 Nm).
No es posible realizar el procedimiento de carga	Contactos de la batería sucios	Limpie los contactos de la batería colocando y retirando varias veces la batería o sustituya la batería.
	Batería defectuosa debido a una desconexión en la misma	Sustituya la batería.
Los LED de control de carga no se iluminan tras introducir el enchufe en la toma.	Enchufe del cargador de batería no conectado (correctamente)	Introduzca el enchufe (completamente) en la toma de pared.
	Toma de pared, cable de alimentación o cargador de batería defectuoso	Compruebe la tensión de alimentación y, en caso necesario, solicite a un centro de atención al cliente autorizado para herramientas eléctricas que revise el cargador de la batería.

Especificaciones

COMPONENTES DE REPUESTO	NÚMERO DE PIEZA	
Caída de descarga lateral	596871	
Aplicación de mantillo	597342	
Bolsa de residuos	596862	
Bolsa de residuos de malla	596862	
Marco de residuos de metal	596862	
Kit de sustitución de cuchilla	596866	
CORTACÉSPED CON BATERÍAS RECARGABLES	LM400	
Ancho de corte	51 cm (20 pulg)	
Altura de corte	25 mm (1 pulg) – 75 mm (3 pulg)	
Depósito de recogida, capacidad	60 l (15,9 gal)	
Peso con batería	26,6 kg (58,8 lb) con una batería	
Número de serie	Consulte la etiqueta de la máquina (debajo de la tapa de descarga)	
Potencia sonora: la energía acústica emitida por la fuente	LwA.d: 95 dB(A)	
Nivel de presión acústica: lo que el operador oye	LPA.d: 80 dB(A), Kpa: 3 dB(A) 3,5 m/s ² , K=1,5 m/s ²	
Vibraciones en mano/brazo, avhw	< 0,54 m/s ² k= 1,5 m/s ²	
CARGADOR, MODELO C650		
Entrada	100-240 V~ 50-60 Hz 60 W	
Entrada (solo EE. UU. y Canadá)	120V~ 60Hz 60W	
Salida	41 V=== 4,6 A	
CARGADOR, MODELO C750		
Entrada	100-240 V~ 50-60 Hz 260 W	
Entrada (solo EE. UU. y Canadá)	120 V~ 60 Hz 260 W	
Salida	41 V=== 4,6 A	
MÓDULO DE LA BATERÍA		
Tipo	Iones de litio	
Temperaturas de funcionamiento	De 0 °C a 40 °C (32 °F A 104 °F)	
Modelo	Capacidad, nominal	Voltaje, nominal
B425E	2.6 Ah / 94 Wh	36 VDC
B426	2.6 Ah / 94.9 Wh	36.5 VDC
B600E	4.0 Ah / 144 Wh	36 VDC
B650E	6.0 Ah / 216 Wh	36 VDC
B662	6.0 Ah / 216 Wh	36 VDC
B742	4.0 Ah / 144 Wh	36 VDC

Garantía y servicio

Garantía

Blount, Inc. garantiza todas las herramientas sin cable y cargadores de Oregon® durante un período de tres (3) años y todas las baterías de Oregon® durante un período de dos (2) años desde la fecha de compra original. Los cargadores, las baterías y las herramientas inalámbricas fabricados por Oregon® tienen una garantía de dos (2) años si se usan para compras comerciales. Esta garantía limitada se aplica a los productos fabricados por Oregon® Cordless Tool System. Durante el período de la garantía, Blount reemplazará o, a su discreción, reparará sin cargo alguno cualquier producto o pieza que Blount considere defectuosos en materiales o en fabricación al examinarlos, solo para el comprador original. El comprador deberá pagar todos los cargos de transporte y cualquier coste de retirar alguna pieza que deba sustituir en virtud de esta garantía.

Para registrar su producto, visite el apartado "asistencia" de **OregonCordless.com**.

Información de Servicios y Asistencia

Visite nuestro sitio web en **OregonCordless.com** para obtener información sobre los centros de servicio o póngase en contacto con nuestro departamento de atención al cliente en el 888.313.8665 para recibir ayuda, asesoramiento técnico adicional, reparaciones o recambios.

Para mayor seguridad, use únicamente recambios originales de fábrica en la herramienta. Nuestro centro de servicio cuenta con personal cualificado para proporcionar una ayuda y asistencia eficientes con el ajuste, reparación o sustitución de todos los productos de Oregon® Cordless Tool System.

Índice

Instruções de segurança importantes	47
Funcionamento geral	47
Operação em declives.	48
Crianças	48
Assistência	49
Pacotes de bateria e carregamento	49
Armazenamento	50
Transporte	50
Eliminação	50
Símbolos e etiquetas	51
Identificação do produto.	52
Montagem	53
Pacote de bateria e carregador.	55
Resolução de problemas	56
Especificações.	58
Garantia e assistência	59

Instruções de segurança importantes

PRÁTICAS SEGURAS PARA CORTADORES DE RELVA OPERADOS POR CONDUTOR APEADO

⚠️ AVISO: Ao utilizar cortadores de relva sem fio, as precauções básicas de segurança devem ser sempre respeitadas com vista a reduzir o risco de incêndio, choque elétrico e ferimentos pessoais, incluindo as seguintes:

Esta máquina de corte pode amputar mãos e pés e projetar objetos. O incumprimento das seguintes instruções de segurança poderá resultar em ferimentos graves ou na morte.

Funcionamento geral

Leia, compreenda e respeite todas as instruções indicadas na máquina e no(s) manual(is) antes de iniciar.

Previna o arranque involuntário. Certifique-se de que o interruptor está na posição de desligado antes de instalar o pacote de bateria. Instalar o pacote de bateria em máquinas que tenham o interruptor na posição de funcionamento poderá dar origem a acidentes.

Mantenha as mãos e os pés afastados da área de corte. Mantenha-se sempre afastado da abertura de descarga.

Esta máquina só poderá ser operada por adultos responsáveis que estejam familiarizados com as instruções de operação da mesma. Esta ferramenta não deve ser utilizada por pessoas (incluindo crianças) com incapacidades físicas, sensoriais ou mentais, ou que não tenham experiência ou conhecimento.

Faça uma Manutenção Cuidada do Cortador de Relva – Mantenha as arestas de corte afiadas e limpas para obter um desempenho ideal e mais seguro.

Respeite as instruções de lubrificação e substituição de acessórios.

Mantenha as pegas secas, limpas e livres de óleo ou lubrificante.

Os objetos atingidos pela lâmina do cortador de relva podem causar ferimentos graves a pessoas. Antes de cada corte, limpe a área de objetos como, por exemplo, pedras, arames, brinquedos, etc., que possam ser projetados pela lâmina. Mantenha-se atrás da pega quando o motor estiver a funcionar.

Se o cortador de relva atingir um objeto estranho, siga estes passos:

- Desligue o cortador de relva. Solte o interruptor.
- Remova o pacote de bateria.
- Verifique a existência de danos.
- Repare quaisquer danos antes de reiniciar e operar o cortador de relva.

Certifique-se de que a área está livre de crianças e de outros transeuntes antes de operar. Pare a máquina se alguém entrar na área. O operador ou utilizador é responsável pelos acidentes ou danos causados a terceiros ou à sua propriedade.

Não opere a máquina com os pés descalços ou com sandálias calçadas. Utilize sempre calçado resistente.

Vista-se de forma adequada – Não use vestuário largo nem joalheria. Estas peças podem ficar presas nas peças móveis. Recomenda-se o uso de luvas e calçado de borracha quando trabalhar em espaços exteriores. Use calças.

Utilize sempre proteção para os olhos ao operar a máquina.

Utilize sempre uma máscara facial ou uma máscara de proteção contra a poeira se operar a máquina num local com poeira.

Nunca opere a máquina puxando o cortador de relva na sua direção. Desengate a alavanca do interruptor para desligar a máquina e tenha muito cuidado quando caminhar para trás ou quando puxar a máquina na sua direção. Olhe sempre para baixo e para trás antes e enquanto se mover para trás.

Posicione-se sempre acima da zona de descarga quando operar a máquina. Nunca direcione o material descarregado para terceiros. Evite descarregar material contra uma parede ou obstrução. O material poderá fazer ricochete e atingir o operador.

Desligue a máquina desengatando a alavanca do interruptor quando passar por cima de gravilha e de outras superfícies sem relva.

Nunca levante ou transporte a máquina enquanto o motor estiver a trabalhar.

Inspeccione sempre todas as proteções, resguardos e dispositivos de segurança antes de cada utilização. Não opere a máquina sem a totalidade do coletor de relva, da proteção de descarga, do resguardo traseiro ou de outros dispositivos de proteção de segurança instalados nos devidos lugares e em funcionamento.

Não incline a máquina quando arrancar ou ligar o motor, exceto se a máquina tiver de ser inclinada

para iniciar o corte de relva alta. Neste caso, incline a máquina apenas o estritamente necessário e apenas a parte que estiver mais afastada do operador.

Assegure-se sempre de que ambas as mãos estão na posição de trabalho antes de voltar a pousar a máquina no chão.

Ligue o motor de acordo com as instruções e mantenha os pés afastados das peças rotativas.

Nunca deixe uma máquina em funcionamento sem vigilância.

Pare o motor, espere até que a lâmina pare completamente e remova a bateria antes de limpar a máquina, remover o coletor de relva ou desobstruir o resguardo de descarga.

Opere a máquina apenas à luz do dia ou com uma boa iluminação artificial.

Não opere a máquina se estiver sob a influência de álcool ou drogas.

Não utilize cortador de relva alimentado a bateria à chuva.

Evite Ambientes Perigosos - Não utilize cortadores de relva em locais húmidos ou molhados.

Nunca opere o cortador em relva molhada. A relva molhada pode provocar o escorregamento do operador. Certifique-se sempre de que sabe onde pisa: ande, nunca corra.

Se a máquina começar a vibrar anormalmente, pare o motor e verifique imediatamente a causa. A vibração é geralmente um sinal de problemas.

Utilize o Aparelho Correto – Não utilize o cortador de relva para qualquer trabalho que não seja o previsto.

Não Force o Cortador de Relva – A ferramenta fará o trabalho com maior qualidade e segurança à velocidade para a qual foi concebida.

Não Ultrapasse os Limites – Mantenha sempre os pés devidamente assentes e um equilíbrio adequado.

Mantenha-se Alerta – Tenha atenção ao que está a fazer. Use o senso comum. Não opere o cortador de relva quando estiver cansado.

Consulte as instruções do fabricante obter indicações sobre o correto funcionamento e instalação de acessórios. Apenas os acessórios fornecidos originalmente com o cortador de relva são aprovados pelo fabricante.

Guarde sempre o cortador de relva num local fresco, seco e afastado da luz solar direta. A exposição

prolongada à luz solar e aos raios UV pode degradar as peças de plástico ao longo do tempo, fazendo com que os resguardos falhem.

Operação em declives

Os declives são um dos principais causadores de acidentes relacionados com deslizamentos e quedas, o que poderá resultar em ferimentos graves. A operação em todo o tipo de declives requer um cuidado adicional. Caso não se sinta confiante a trabalhar num declive, não prossiga.

Em declives, efetue sempre o corte no sentido longitudinal; nunca para cima e para baixo. Tenha muito cuidado quando mudar de direção em declives.

Tenha atenção a buracos, sulcos, lombas, rochas ou outros objetos escondidos. Um terreno acidentado pode causar um acidente com escorregamento e queda. A relva alta pode ocultar obstáculos.

Evite cortar relva molhada ou cortar relva em declives excessivamente inclinados (> 15°). Um assentamento pouco firme dos pés pode causar um acidente com escorregamento e queda.

Tenha muito cuidado quando mudar de direção, sobretudo em declives.

Não opere a máquina perto de despenhadeiros, valas ou encostas. Poderá perder o pé ou o equilíbrio.

Crianças

Podem ocorrer acidentes trágicos se o operador não estiver alerta para a presença de crianças. As crianças são muitas vezes atraídas pela máquina e pela atividade de corte de relva. Nunca parta do princípio de que as crianças permanecerão onde as viu pela última vez.

Remova a chave de segurança sempre que abandonar a máquina ou a armazenar. Armazene a máquina num local seguro e que possa ser trancado – fora do alcance das crianças.

Mantenha as crianças fora da área de corte e sob a vigilância atenta de um adulto responsável que não seja o operador.

Esteja alerta e desligue o cortador de relva se uma criança entrar na área.

Nunca deixe uma criança operar a máquina.

Tenha um cuidado adicional ao aproximar-se de esquinas com pouca visibilidade, arbustos, árvores ou outros objetos que possam bloquear a sua visão e não o deixar ver uma criança.

Assistência

Remova sempre o pacote de bateria antes de ajustar, limpar, reparar ou armazenar a máquina para evitar o arranque involuntário. Estas medidas de segurança preventiva reduzem o risco de o cortador de relva ligar acidentalmente.

A limpeza nunca deve ser efetuada por crianças, mas apenas por adultos familiarizados com o produto

Armazene Cortadores de Relva Parados em Espaços Interiores – Quando não estiver em uso, o cortador de relva deve ser armazenado num local seco, fechado e trancado – fora do alcance das crianças

Mantenha os resguardos nos respetivos lugares e em boas condições de funcionamento.

Mantenha as lâminas afiadas.

Utilize apenas lâminas de substituição idênticas. O uso de qualquer outro acessório pode aumentar o risco de ferimentos.

Mantenha todas as porcas e parafusos apertados para garantir que a máquina está em condições de funcionar de maneira segura.

Nunca remova nem modifique dispositivos de segurança. Verifique o seu correto funcionamento de forma regular. Nunca faça algo que possa interferir com a função pretendida de um dispositivo de segurança ou reduzir a proteção proporcionada por um dispositivo de segurança.

Mantenha a máquina livre de relva, folhas ou de outras acumulações de detritos.

Caso embata num objeto estranho, pare e inspecione a máquina. Se necessário, repare antes de começar.

Nunca efetue ajustes ou reparações com o motor a funcionar.

Verifique os componentes de recolha de relva e o resguardo de descarga com frequência e, quando necessário, substitua com as peças recomendadas pelo fabricante.

Certifique-se de que todas as peças de substituição ou de assistência são aprovadas pelo fabricante.

As lâminas do cortador de relva são afiadas. Envolve a lâmina ou use luvas, e tenha especial cuidado ao realizar qualquer operação de manutenção nas lâminas.

Tenha cuidado durante o ajuste da máquina para evitar que os dedos fiquem presos entre a lâmina em movimento e as partes fixas da máquina.

Ao realizar a manutenção das lâminas deverá estar ciente de que, mesmo que a fonte de alimentação esteja desligada, a lâmina pode mover-se.

Mantenha ou substitua as etiquetas de segurança e instruções, conforme necessário.

Pacotes de bateria e carregamento

Não carregue o pacote de bateria à chuva ou em locais molhados. Mantenha o carregador de bateria protegido da chuva ou humidade. A penetração de água no carregador da bateria aumenta o risco de choque elétrico.

Não utilize cortador de relva alimentado a bateria à chuva.

Remova ou desligue a bateria antes de realizar operações de manutenção, limpeza ou remoção de material da máquina.

Utilize o cortador de relva apenas com pacotes de bateria Oregon Série B (B425E, B426, B600E, B650E, B662, B742) designadas especificamente. O uso de qualquer outro pacote de bateria pode representar risco de lesões e incêndio.

Recarregue apenas com o carregador especificado pelo fabricante, Oregon C650 ou C750. Um carregador apropriado para um determinado tipo de pacote de bateria pode dar origem a risco de incêndio quando utilizado noutra bateria.

Não carregue outras baterias no carregador. O carregador de bateria é adequado apenas para carregamento das baterias de íon de lítio específicas e aprovadas pelo fabricante indicadas na faixa de tensão listada. Caso contrário, poderá dar origem a perigo de incêndio e explosão.

Antes de cada uso, verifique o carregador de bateria, o cabo e a tomada. Se detetar algum dano, não use o carregador de bateria. Nunca abra o carregador de bateria sozinho. Solicite reparações apenas a técnicos qualificados que usem apenas as peças de reposição originais. Carregadores de bateria, cabos e tomadas danificadas aumentam o risco de choque elétrico.

Mantenha o carregador da bateria limpo. A contaminação pode levar a risco de choque elétrico.

Limpe periodicamente as ranhuras de ventilação da bateria com uma escova macia, limpa e seca.

Não elimine a bateria com o fogo. A célula pode explodir. Consulte os códigos locais para obter possíveis instruções especiais de eliminação.

Não abra nem destrua a bateria. O eletrólito libertado é corrosivo e pode causar danos nos olhos ou na pele. Pode ser tóxico se ingerido.

Tenha cuidado ao manusear as baterias para não provocar o curto-circuito da bateria com materiais condutores como, por exemplo, anéis, pulseiras e chaves. A bateria ou o condutor podem sobreaquecer e provocar queimaduras

Quando o pacote de bateria não estiver em uso, mantenha-a longe de outros objetos metálicos como, por exemplo, cliques de papel, moedas, chaves, pregos, parafusos ou outros pequenos objetos metálicos que podem estabelecer uma ligação entre os terminais. Os curto-circuitos nos terminais da bateria podem provocar queimaduras ou riscos de incêndio.

Em condições extremas, a bateria poderá projetar líquido; evite o contato. Em caso de contacto accidental, lave com água abundante. Se o líquido entrar em contacto com os olhos, para além de lavar com água abundante, obtenha assistência médica. O líquido projetado pela bateria pode causar irritações ou queimaduras.

Podem ser emitidos vapores em caso de danos na bateria e de uso indevido da mesma. Ventile a área e obtenha ajuda médica em caso de queixas. Os vapores podem irritar o sistema respiratório.

Não use um pacote de bateria ou um cortador de relva que esteja danificado ou modificado. As baterias danificadas ou modificadas podem apresentar um comportamento imprevisível, o que poderá resultar em incêndio, explosão ou risco de ferimentos.

Não exponha um pacote de bateria ou um cortador de relva ao fogo ou a temperaturas excessivas como, por exemplo, a luz solar intensa contínua, nem guarde no interior de um veículo quente. A exposição ao fogo ou temperaturas acima de 130 °C pode causar explosões. Armazene a bateria apenas a temperaturas entre 0 °C e 40 °C.

Respeite todas as instruções relativas ao carregamento e não carregue o pacote de bateria ou o cortador de relva fora do intervalo de temperatura especificada nas instruções. O carregamento inadequado ou a temperaturas fora do intervalo especificado pode danificar a bateria e aumentar o risco de incêndio.

Não utilize o carregador de bateria em superfícies facilmente inflamáveis (por exemplo, papel, têxteis, etc.) ou nas suas proximidades. O aquecimento do carregador de baterias durante o processo de carregamento pode representar um risco de incêndio.

A assistência só deverá ser realizada por pessoal de reparação qualificado utilizando apenas peças de substituição idênticas. Isto irá garantir a manutenção da segurança do produto.

Não tente reparar o cortador de relva ou o pacote de bateria exceto conforme indicado nas instruções de utilização e assistência.

Armazenamento

Guarde sempre o cortador de relva num local fresco, seco e afastado da luz solar direta. A exposição prolongada à luz solar e aos raios UV pode degradar as peças de plástico ao longo do tempo, fazendo com que os resguardos falhem.

Transporte

As baterias de íões de lítio incluídas estão sujeitas aos requisitos da Legislação sobre Mercadorias Perigosas. O utilizador pode transportar as baterias por transporte rodoviário sem requisitos adicionais.

Quando o transporte for realizado por terceiros (por exemplo, por uma empresa de transporte aéreo ou empresa de transportes), devem ser observados requisitos especiais sobre embalagem e rotulagem. Durante a preparação do envio do item, será necessário consultar um especialista em materiais perigosos.

O envio de baterias só poderá ser realizado quando o invólucro não estiver danificado.

Coloque fita adesiva ou tape os contactos expostos e armazene o pacote de bateria de maneira a imobilizá-lo dentro da sua embalagem.

Também deverá ser respeitada a regulamentação nacional possivelmente mais detalhada.

Eliminação

Não elimine produtos de jardinagem, carregadores de bateria e baterias/pilhas recarregáveis juntamente com o no lixo doméstico.

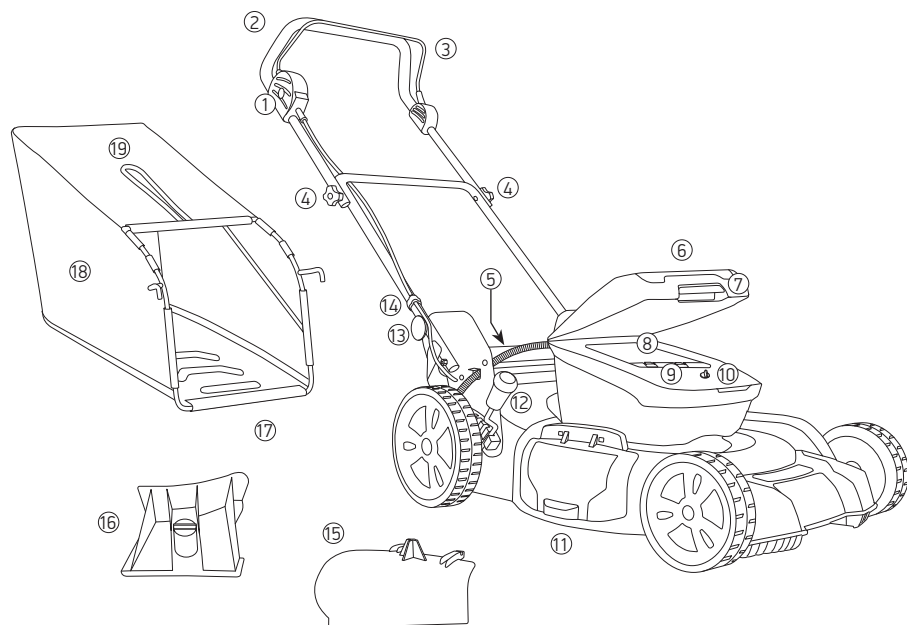
GUARDE ESTAS INSTRUÇÕES

Símbolos e etiquetas

Os seguintes símbolos e etiquetas encontram-se apostos no cortador de relva, na bateria e no carregador.

SÍMBOLO	NOME	EXPLICAÇÃO
	Alerta de segurança de perigo geral	O texto que se segue explica um perigo, aviso ou advertência.
	Ler o Manual de Instruções	O manual de instruções original inclui informações importantes sobre segurança e funcionamento. Leia e siga as instruções atentamente.
	Manter os Dispositivos de Segurança	Não abra nem remova os resguardos de segurança enquanto a ferramenta estiver a funcionar.
	Manter as Pessoas Afastadas	Não corte relva quando crianças ou terceiros estiverem muito próximas.
	Olhar Para Trás ao Recuar	Olhe para baixo e para trás antes de andar para trás para evitar tropeçar.
	Perigo de Declive Acentuado	Tenha muito cuidado em declives. Não opere a máquina em declives com uma inclinação superior a 15 graus.
	Remover a Chave de Segurança	Desligue a máquina e remova a chave de segurança antes de ajustar, limpar a máquina ou deixá-la deixado sem vigilância durante algum tempo.
	Usar Proteção Ocular	Utilize proteção ocular ao operar a máquina.
	Usar Proteção Auditiva	Utilize proteção auditiva durante a utilização da máquina.
	Usar Proteção para as Mãos	Utilize luvas ao operar a máquina ou quando tocar nas lâminas paradas
	Usar Calças	Use calças ao operar o cortador de relva.
	Use Proteção para os Pés	Utilize calçado de trabalho adequado quando operar o cortador de relva.
	Não Incinerar	Não eliminar por meio de queima.
	Não Eliminar	Não elimine juntamente com o lixo doméstico. Leve a máquina para um ponto de reciclagem autorizado.
	Não Expor à Chuva	Não opere o carregador em condições de humidade.
	Temperatura de Funcionamento	Utilize o pacote de bateria apenas em temperaturas entre 0 °C e 40 °C (32 °F a 104 °F).
	Remover a Bateria	Remova a bateria antes de realizar quaisquer operações de cabo a manutenção.

Identificação do produto



- | | |
|--------------------------------------|---|
| ① Botão de Segurança | ⑪ Tampa de Descarga Lateral |
| ② Barra da Pega | ⑫ Alavanca de Ajuste da Altura de Corte |
| ③ Alavanca do Interruptor | ⑬ Botão de Ajuste da Pega |
| ④ Botões da Barra da Pega | ⑭ Clipe do Cabo |
| ⑤ Tampa de Descarga Traseira | ⑮ Calha de Descarga Lateral |
| ⑥ Tampa da Bateria | ⑯ Peça de Mulching |
| ⑦ Pega de Bloqueio | ⑰ Saco de Detritos |
| ⑧ Portas da Bateria | ⑱ Saco de Detritos de Malha |
| ⑨ Alavancas de Libertação da Bateria | ⑲ Estrutura de Detritos em Metal |
| ⑩ Chave de segurança | |

Montagem

Utilização prevista

O produto de jardinagem destina-se ao corte de relva doméstico.

⚠ AVISO: Certifique-se de que a bateria foi removida da máquina.

Montagem da pega (Fig. A)

Fixe a pega superior ao quadro da pega inferior e fixe-a utilizando os botões, parafusos e anilhas (Fig. A). Aperte os botões manualmente.

Instalar e remover o pacote de bateria (Fig. B - C)

⚠ AVISO: Certifique-se de que a chave de segurança está desligada antes de instalar ou remover o pacote de bateria.

Para instalar o pacote de bateria, levante a pega de bloqueio na tampa (1) do pacote de bateria da máquina e levante a tampa (2) (Fig. B). Instale o pacote de bateria na posição pretendida, garantindo que as pequenas guias na tampa estão alinhadas com as ranhuras das guias no pacote de bateria. Empurre firmemente o pacote de bateria para o respetivo lugar até escutar o som de um clique audível. A unidade tem capacidade para conter duas baterias. No entanto, requer apenas uma para funcionar. Feche a tampa da bateria.

Para remover o pacote de bateria, abra a tampa da bateria. Levante o manipulador de libertação da bateria (1) diante do pacote de bateria para a soltar (Fig. C). O manipulador acionado por mola irá liberar o pacote de bateria, permitindo-lhe extrair a bateria da máquina. Feche a tampa para evitar danos acidentais na máquina.

Ajustar a altura de corte (Fig. D)

O seu cortador de relva está equipado com um sistema de ajuste de altura central que oferece seis definições de altura. As definições são aproximadamente 25 mm (1 pol.), 35 mm (1 3/8 pol.), 45 mm (1 3/4 pol.), 55 mm (2 1/8 pol.), 65 mm (2 1/2 pol.) e 75 mm (3 pol.). A altura de corte real pode variar ligeiramente.

Para ajustar a altura de corte da máquina, posicione o manipulador (1) na posição de altura pretendida (Fig. D). Os números indicados na carcaça da máquina (1, 2, 3, 4, 5, 6) indicam a altura de corte aproximada da máquina nessa posição. Quanto menor for o número, menor será a altura da relva uma vez cortada.

Realize sempre um pequeno teste, começando por cortar a relva em definições de altura maiores e reduzindo esta definição para determinar a altura de corte pretendida.

Ajustar a pega (Fig. E)

Puxe e rode o botão no lado esquerdo da unidade (1), de modo a este assentar na pega. No lado oposto, com uma mão, puxe o botão (2) e ajuste a pega para a posição pretendida (Fig. E). Solte o botão para que veio acionado por mola assente no orifício de localização (3). Puxe e rode o botão oposto para que o eixo acionado por mola volte à posição de assentamento (4).

Utilizar a chave de segurança (Fig. F)

A chave de segurança é um dispositivo de segurança importante na máquina. O motor e as lâminas da máquina só podem ser ligados quando a chave de segurança é inserida e girada para a posição ON (Ligar). Insira a chave de segurança apenas quando pretender ligar a máquina e rodar as lâminas.

Para inserir a chave de segurança, empurre a chave de segurança no seu encaixe alinhando a pequena aba da chave com a ranhura do encaixe (1) (Fig. F).

Para ligar a máquina, na posição "ON" (Ligar), aponte a seta da chave de segurança na direção da bateria que pretender utilizar (2). Quando o cortador de relva parar porque a bateria está descarregada, abra a tampa da bateria e, caso disponha de duas baterias inseridas, rode a chave na direção da outra bateria. Este é um momento oportuno para colocar a bateria descarregada num carregador Oregon.

Para desligar a máquina, posição "OFF" (Desligar), e remover a chave, rode a chave no sentido contrário ao sentido dos ponteiros do relógio de modo a que a pequena seta indicadora aponte para o ponto de chave "O". Pode remover a chave.

O motor só pode ser ligado quando a chave de segurança está inserida.

Funcionamento (Fig. G)

Em primeiro lugar, certifique-se de que está na área de corte apropriada. Certifique-se de que a área de corte está vazia, sem transeuntes nem objetos estranhos. Inspeção a máquina à procura de qualquer tipo de danos ou condições inseguras.

Certifique-se de que a altura de corte da máquina está a ser pretendida.

Certifique-se de que a chave de segurança aponta para uma posição de bateria.

Prima e mantenha premido o botão de segurança **(1)** e aperte a alavanca do interruptor **(2)** contra a pega **(Fig. G)**.

Quando a unidade arrancar, solte o botão de segurança **(1)**. Continue a apertar a alavanca do interruptor durante a utilização.

Soltar a alavanca do interruptor irá desligar a fonte de alimentação da unidade. As lâminas podem continuar a rodar durante algum tempo após a máquina ter sido desligada.

Parar a máquina (Fig. H)

Solte a alavanca do interruptor **(1)** **(Fig. H)**. Soltar a alavanca do interruptor irá desligar a fonte de alimentação da unidade. As lâminas podem continuar a rodar durante algum tempo após a máquina ter sido desligada.

Utilizar o saco traseiro (Fig. I - J)

Instale o saco de detritos introduzindo a estrutura de metal no saco de malha suave **(1)** e encaixando os cliques de plástico do saco de malha suave na estrutura de metal **(2)** **(Fig. I)**.

Para instalar o saco de detritos na máquina, levante e segure a tampa de descarga **(1)** com uma mão e, com a outra mão, coloque os dois ganchos **(2)** do saco de detritos no veio de metal **(3)** em cada lado da tampa de descarga **(Fig. J)**. Solte a tampa de descarga acionada por mola, permitindo que a tampa entre na abertura entre o saco de detritos e a máquina.

Utilizar a descarga lateral (Fig. K)

Comece por retirar o saco de detritos. Num ângulo ligeiramente descendente, posicione os ganchos dianteiro e traseiro da calha de descarga no pino metálico da tampa lateral **(1)** **(Fig. K)**. Rode a calha para baixo, fazendo com que os ganchos fiquem presos no lugar **(2)**. Solte a tampa lateral com a mão e verifique se a calha está no devido lugar.

Utilizar a peça de mulching (Fig. L)

Levante a tampa de descarga e remova o saco de detritos **(1)** **(Fig. L)**. Segure a tampa de descarga com uma mão e, com a mão oposta, coloque a peça de mulching na calha de descarga traseira **(2)**. Solte a tampa de descarga acionada por mola.

Substituir ou afiar a lâmina de corte

⚠ AVISO: Remova sempre a bateria e a chave de segurança quando efetuar qualquer trabalho de manutenção.

A lâmina de corte foi concebida para ser uma peça de substituição, podendo, como tal, ter de ser afiada ao longo do tempo. Afiar quando estiver pouco aguçada. Substitua-a quando estiver danificada. Contacte o seu revendedor ou o fabricante para obter instruções adequadas.

Armazenamento (Fig. M - N)

Puxe e rode o botão no lado esquerdo da unidade de modo a este assentar na pega **(1)**. No lado oposto, com uma mão, puxe o botão **(2)** e, com a outra mão, puxe a pega para baixo até à dianteira do cortador de relva pretendida **(3)** **(Fig. L)**. Em seguida, levante a frente da máquina até esta assentar, em segurança, na estrutura traseira da máquina **(Fig. M)**.

Pacote de bateria e carregador

⚠ AVISO: Para reduzir o risco de choque, não carregue o pacote de bateria em locais onde possa apanhar chuva.

INDICADOR LED DO NÍVEL DE CARGA DO PACOTE DE BATERIA

O pacote de bateria de íões de lítio está equipado com um indicador de nível de carga LED. Para testar o nível de carga do pacote de bateria, prima o botão indicador na parte frontal do pacote de bateria.

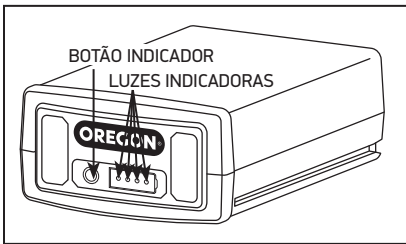
Nenhuma luz acesa: é necessário recarregar a bateria.

Uma luz verde fixa: menos de 25% de carga. Carregue o pacote de bateria antes de usar.

Duas luzes verdes fixas: 26–50% de carga.

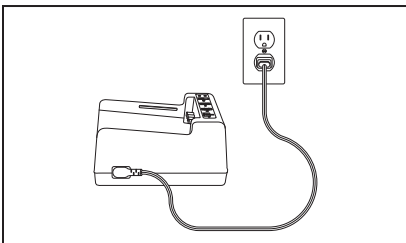
Três luzes verdes fixas: 51–75% de carga.

Quatro luzes verdes fixas: 76–100% de carga.



LIGAR O CARREGADOR

Se o carregador incluir um cabo de alimentação separado, ligue o cabo do carregador a uma tomada elétrica apropriada.



Utilize apenas o cabo de alimentação fornecido com o carregador. Na primeira utilização, verifique se o tipo de ficha corresponde à tomada.

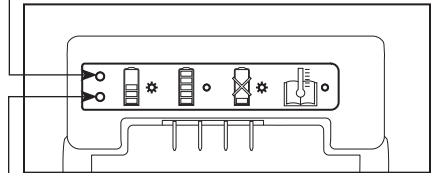
INDICADOR LED DO ESTADO DE CARGA DO CARREGADOR

O carregador de bateria está equipado com um indicador LED de estado de carga que indica o estado do carregamento, bem como condições que possam atrasar ou impedir o carregamento.

Nota: Não está ligada qualquer luz enquanto não for inserido um pacote de bateria.

— Luz laranja intermitente: existe uma avaria. Existem várias causas possíveis. Consulte a secção "Resolução de Problemas" deste manual.

— Luz laranja fixa: a temperatura do pacote de bateria está fora do intervalo aceitável (0 °C/32°F a 40°C/104 °F). Permita que o pacote de bateria alcance o intervalo de temperatura aceitável antes de proceder ao carregamento. A bateria pode ser deixada no carregador à medida que a temperatura se vai ajustando. O carregamento é iniciado quando for atingida a temperatura adequada.



— Luz verde intermitente: o pacote de bateria está a carregar.

— Luz verde fixa: o pacote de bateria está pronto para ser utilizado.

CARREGAR A BATERIA

⚠ AVISO: O incumprimento dos corretos procedimentos de carregamento pode dar origem a tensão excessiva, fluxo excessivo de corrente, perda de controlo durante o carregamento, fuga de produtos químicos perigosos, geração de calor, explosão ou incêndio. Siga estas instruções de carregamento.

Com o cabo do carregador ligado ao carregador e ligado a uma tomada elétrica, alinhe as ranhuras do pacote de bateria com as guias no carregador e faça deslizar o pacote de bateria no carregador até ficar totalmente encaixado.

Para mais informações, consulte os manuais da sua bateria e carregador.

Resolução de problemas

Utilize esta tabela para procurar eventuais soluções para eventuais problemas com o cortador de relva. Se estas sugestões não resolverem o problema, consulte "Garantia e Assistência".

SINTOMA	CAUSA POSSÍVEL	AÇÕES RECOMENDADAS
A ferramenta não funciona	Possível obstrução	Remova a bateria, remova a chave de segurança. Limpe as obstruções. Verifique a parte inferior do produto de jardinagem e limpe conforme necessário (use sempre luvas de jardinagem)
	A bateria não está totalmente carregada	Carregue a bateria.
	A bateria não foi inserida corretamente	Insira bateria corretamente.
	Relva muita alta	Aumente a altura de corte e a inclinação do produto de jardinagem para reduzir a carga inicial.
	O protetor do motor foi ativado	Deixe o motor arrefecer e aumente a altura de corte.
	Chave de segurança a apontar para uma bateria descarregada	Certifique-se de que a chave de segurança aponta para uma bateria carregada.
	Bateria demasiado quente/fria	Deixe arrefecer/aquecer.
	A chave de segurança não foi inserida corretamente/completamente	Insira a chave de segurança corretamente.
	Há um pequeno atraso no arranque do motor após a ativação do interruptor do botão de segurança	Prima o botão de segurança durante 1 – 3 segundos antes de ativar a alavanca do interruptor para iniciar o motor.
Motor inicia e para imediatamente	A bateria não está totalmente carregada	Carregue a bateria.
	A chave do isolador não foi inserida corretamente/completamente	Insira a chave de segurança corretamente.
	A bateria não foi inserida corretamente	Insira bateria corretamente.
	Bateria demasiado quente/fria	Deixe arrefecer/aquecer.

SINTOMA	CAUSA POSSÍVEL	AÇÕES RECOMENDADAS
A ferramenta funciona de forma intermitente	A cablagem interna do produto de jardinagem está danificada	Entre em contacto com o agente de assistência.
	O protetor do motor foi ativado	Deixe o motor arrefecer e aumente a altura de corte.
O produto de jardinagem deixa um acabamento irregular e/ou o motor trabalha de forma irregular	Altura de corte demasiado baixa	Aumente a altura de corte
	Lâmina de corte cega	Substitua ou afie a lâmina.
	Possível obstrução	Remova a bateria, remova a chave de segurança. Verifique a parte inferior do produto de jardinagem e limpe conforme necessário (use sempre luvas de jardinagem)
	Lâmina encaixada ao contrário	Remova a bateria, remova a chave de segurança. Voltar a instalar a lâmina corretamente.
A área de corte (duração da bateria) não é suficiente	Altura de corte demasiado baixa	Aumente a altura de corte e ande mais devagar
	Relva demasiado alta	Aumente a altura de corte e ande mais devagar
	Relva molhada ou húmida	Aguarde até a relva estar seca e ande mais devagar.
	A relva é densa	Aumente a altura de corte, ande mais devagar e corte com mais frequência.
A lâmina de corte não roda quando o produto de jardinagem está ligado	Lâmina de corte obstruída	Remova a bateria, remova a chave de segurança. Limpe a obstrução (use sempre luvas de jardinagem).
	Porca da lâmina solta/ parafuso solto	Remova a bateria, remova a chave de segurança. Aperte a porca/parafuso da lâmina (15 Nm)
Vibração excessiva/ ruído excessivo	Porca da lâmina solta/ parafuso solto	Remova a bateria, remova a chave de segurança. Aperte a porca/parafuso da lâmina (15 Nm)
Nenhum procedimento de carregamento possível	Os contactos da bateria estão contaminados	Limpe os contactos da bateria inserindo e removendo a bateria várias vezes ou substitua a bateria.
	A bateria tem um defeito devido a uma desconexão na mesma	Substitua a bateria.
Os LED de controlo de carga não acendem após inserir a ficha de alimentação na tomada	A ficha do carregador de bateria não está ligada à corrente elétrica (corretamente)	Insira a ficha (totalmente) na tomada.
	Tomada, cabo da rede ou carregador de bateria defeituosos	Verifique a tensão da rede e, se necessário, solicite a verificação do carregador da bateria num centro de atendimento ao cliente para ferramentas elétricas autorizado

Especificações

COMPONENTES DE SUBSTITUIÇÃO		NÚMERO DE PEÇA
Calha de Descarga Lateral		596871
Peça de Mulching		597342
Saco de Detritos		596862
Saco de Detritos de Malha		596862
Estrutura de Detritos em Metal		596862
Kit de Substituição da Lâmina		596866
CORTADOR DE RELVA COM BATERIA RECARREGÁVEL		LM400
Largura da lâmina		51 cm (20 pol.)
Aumente a altura de corte mm (pol.)		25 mm (1 pol.) – 75 mm (3 pol.)
Cesto da relva, capacidade		60 l (15,9 gal.)
Peso com bateria		26,6 kg (58,8 lb) com uma bateria
Número de série		Consulte o rótulo da máquina (debaixo da tampa de descarga)
Nível de potência sonora: energia acústica emitida pela fonte		LwA.d: 95 dB(A)
Nível de pressão sonora: o que ouve o operador		Lpa.d: 80 dB(A), Kpa: 3 dB(A) 3,5 m/s ² , K=1,5 m/s ²
Vibrações transmitidas ao sistema mão-braço avhw		< 0,54 m/s ² k= 1,5 m/s ²
CARREGADOR, MODELO C650		
Entrada	100-240 V~ 50-60 Hz 60 W	
Entrada (EUA e Canadá apenas)	120 V ~ 60 Hz 60 W	
Saída	41,5 V=== 1,8 A	
CARREGADOR, MODELO C750		
Entrada	100-240 V~ 50-60 Hz 260 W	
Entrada (EUA e Canadá apenas)	120 V ~ 60 Hz 260 W	
Saída	41 V=== 4,6 A	
BATERIA		
Tipo	Íon de lítio	
Temperaturas de operação	0 °C a 40 °C (32° F a 104 °F)	
Modelo	Capacidade, nominal	Tensão, nominal
B425E	2.6 Ah / 94 Wh	36 VDC
B426	2.6 Ah / 94.9 Wh	36.5 VDC
B600E	4.0 Ah / 144 Wh	36 VDC
B650E	6.0 Ah / 216 Wh	36 VDC
B662	6.0 Ah / 216 Wh	36 VDC
B742	4.0 Ah / 144 Wh	36 VDC

Garantia e assistência

Garantia

A Blount, Inc. oferece uma garantia de dois (2) anos para todas as Ferramentas Sem Fios registradas da Oregon® e uma garantia de dois (2) anos para todos os pacotes de Bateria Sem Fios registrados da Oregon® a partir da data de compra original. As Ferramentas Sem Fios, Pacotes de Baterias e Carregadores registrados da Oregon® têm uma garantia de dois (2) anos se estes produtos forem utilizados para fins comerciais. Esta garantia limitada aplica-se aos produtos fabricados pela Oregon® Cordless Tool System. Durante o período de garantia, a Blount substituirá ou, ao seu critério, reparará apenas para o comprador original, sem encargos, qualquer produto ou peça que, após ser inspecionado pela Blount, se verifique sofrer de defeito de material ou de fabrico. O comprador será responsável por todos as despesas de transporte e por quaisquer custos de remoção de qualquer peça enviada para substituição ao abrigo desta garantia.

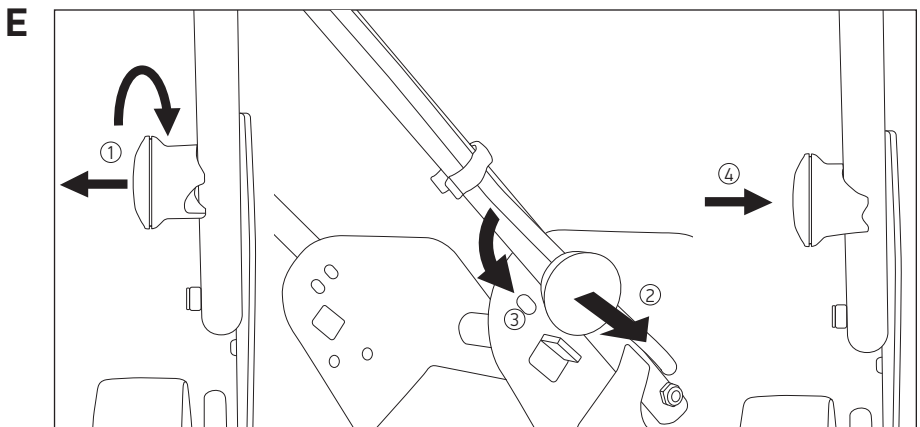
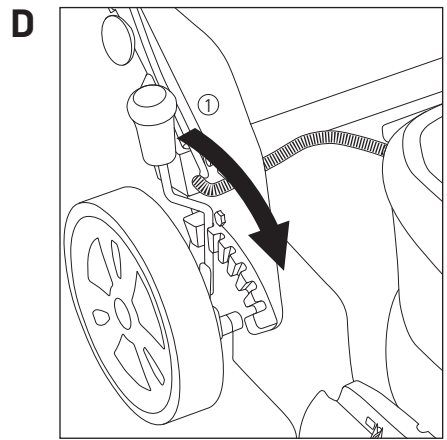
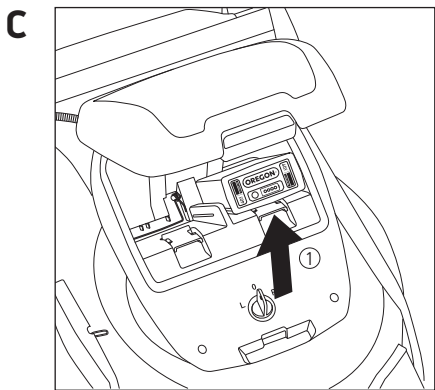
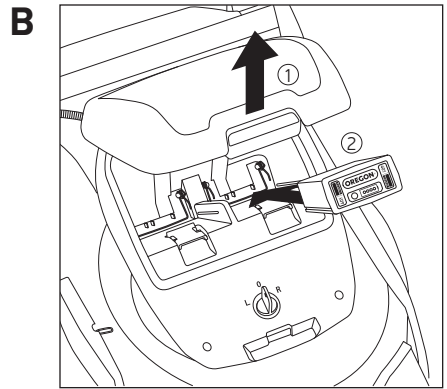
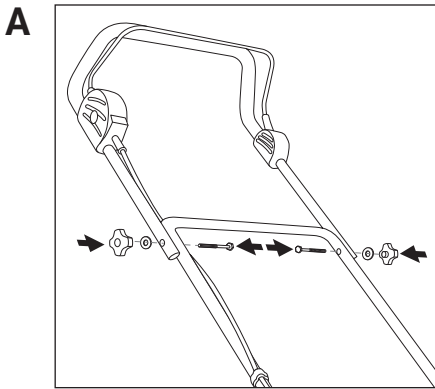
Para registar o seu produto, visite a secção "Apoio" em **OregonCordless.com**.

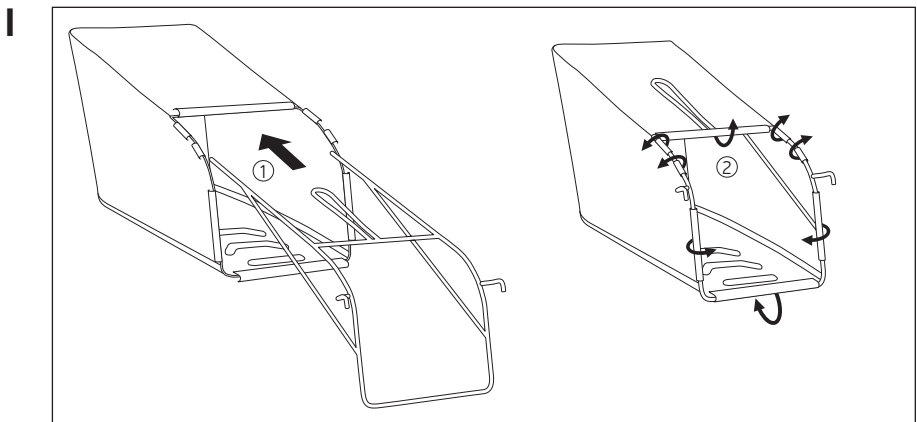
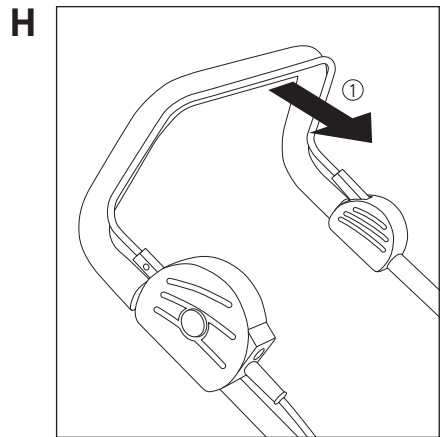
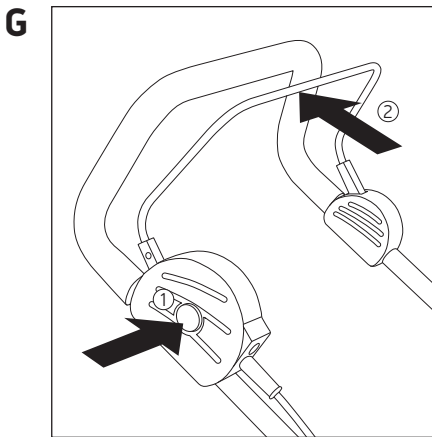
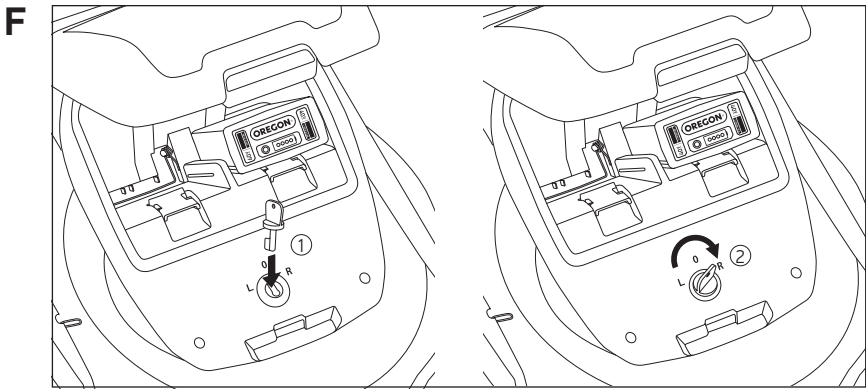
Informação de assistência e apoio

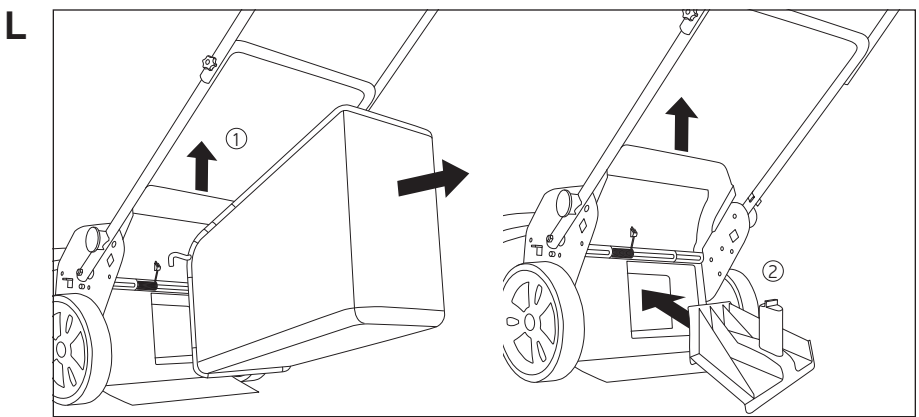
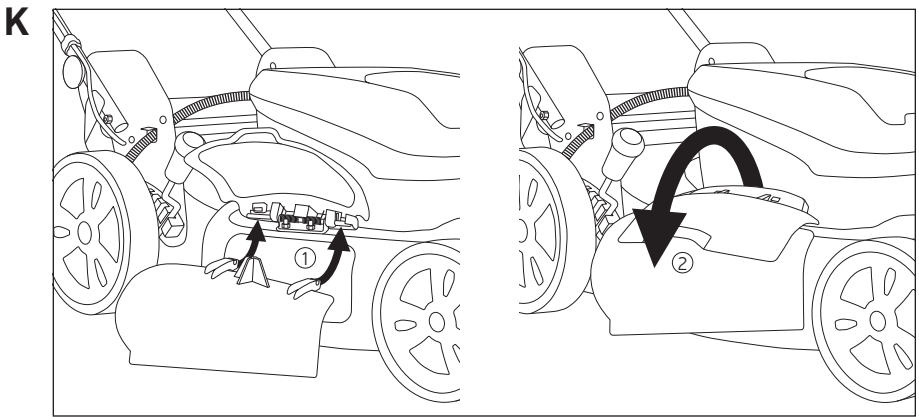
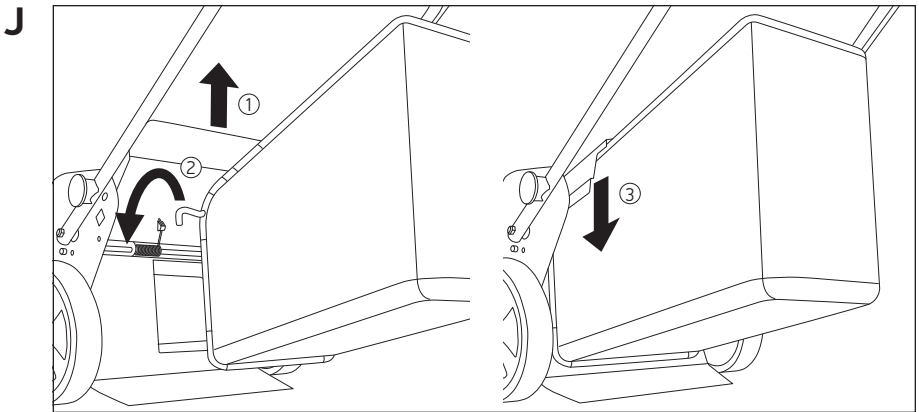
Visite-nos no site **OregonCordless.com** para consultar informações sobre o centro de assistência ou contacte o nosso departamento de atendimento ao cliente através do número 888.313.8665 para obter assistência, aconselhamento técnico adicional, reparação ou peças de substituição.

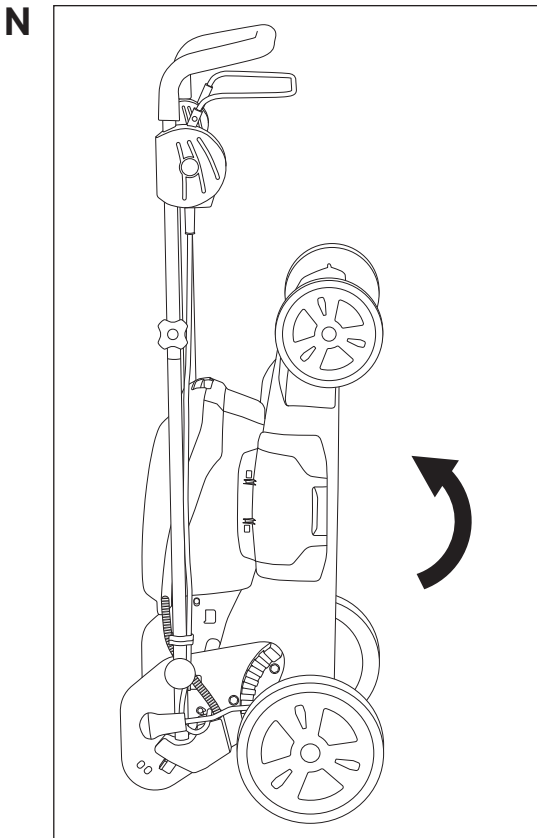
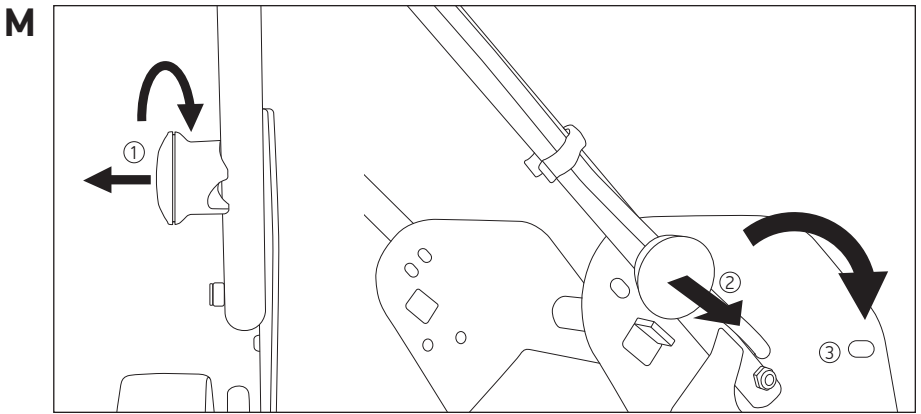
Por razões de segurança, utilize apenas peças de substituição originais de fábrica na ferramenta elétrica. O nosso centro de assistência dispõe de pessoal com formação para o ajudar e lhe prestar um apoio eficiente relativamente a ajustes, reparações ou substituições de todos os produtos da Oregon® Cordless Tool System.

Figures











OregonProducts.com

Blount International, Inc.
4909 SE International Way
Portland, OR 97222-4679 USA